

# YARDLIGHT SERIES

## Barnlight Luminaire

Type:

Fixture:



### TECHNICAL DATA

PRODUCT	YD10-42W-50-01B1
WATTAGE	42W
LUMENS	4620 LM
EFFICACY	110 LM/W
VOLTAGE	100V-277V
CRI	>84
CCT	5000K
BEAM ANGLE	95°
POWER FACTOR	>0.93
THD	<12.6%
WORKING TEMP.	-40°F ~ 104°F

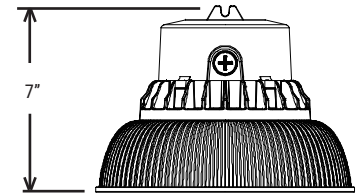
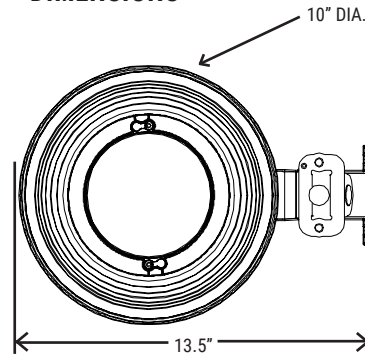
### DESCRIPTION

The Barn light is a versatile fixture that can be used on many structure styles. It's heavy duty cast aluminum aids in reducing LED heat and prolonging the product lifetime. With your photo control option, save on energy consumption.

### INTENDED USE

Our Barn light series is perfect for illuminating outdoor applications. It's heavy-duty construction makes it a favorite for outbuildings, barns, carports, and oversized garages.

### DIMENSIONS



### ORDERING INFORMATION

STANDARD ITEM: **YD10-42W-50-01B1**

OR CUSTOMIZE BELOW:

Series	Wattage	CCT	Version/Lens
YD10 - (Yard Light with 10" Aperture)	42W	50K - (5000K)	01B1 - (Version/ Lampshade)

# YARDLIGHT SERIES

## Barnlight Luminaire

Type:

Fixture:

### FEATURES

#### CONSTRUCTION

Heavy-duty cast aluminum. Aluminum heat-sink attached to the housing directly to reduce LED heat and add life. Dusk to dawn photo control.

#### FINISH

Bronze finish. Rust and corrosion proof with polyester powder coating.

#### OPTICS

High light transmittance polycarbonate UV protection. Dusk to dawn photo cell.

#### ELECTRICAL

Class 2, constant current, 100-277V, 50/60 Hz, 0.95 Amp@100V.

#### LISTINGS

UL certified. DLC Listed. IP 65.

### FEATURE IMAGE



### AVAILABLE ACCESSORIES

\*SOLD SEPARATELY



#### YD-MNT-ARM

Barn Light Mounting Arms

### PHOTOMETRICS

YD10-42W

