

WRAPAROUND SERIES

Lumen and CCT Changeable Wraparound

Type:

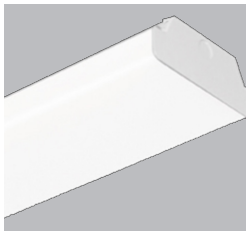
Fixture:

TECHNICAL DATA

PRODUCT	WR7W-4
WATTAGE CHANGEABLE	30W/35W/40W
LUMENS	UP TO 5200 LM
SIZE	48"
VOLTAGE	120-277V
CCT	3500K/4000K/5000K COLOR CHANGEABLE
CONTROL	0-10V
ENCLOSURE	DAMP LOCATION
CRI	Ra>80
LIGHTING ANGLE	101°
DRIVER EFFICIENCY	>90%
POWER FACTOR	>0.98
LUMEN MAINTENANCE	L70>75000 HOURS
WORKING TEMP	-4 - 122F



MOUNTING OPTION



Surface Mounting



Suspension Chain
*Sold separately

DESCRIPTION

The Wraparound might be the most versatile light on the market. Very popular among residential/commercial garages, commercial retail space and offices.

INTENDED USE

The Wraparound Lighting Series can be widely used for indoor excellent for offices, hallways, multipurpose rooms, office buildings, conference rooms, supermarket, store, and many other applications.



ORDERING INFORMATION

- - - - -

Series	Size	Lumen Package	Voltage	CCT	Control
WR7W Wraparound Series (7" Width)	4 - (48")	LC - (30W, 4100lm / 35W, 4700lm / 40W, 5200 lm)	U - (120-277V)	CC - (3500K/4000K/5000K Color Changeable)	C1 - (0-10)

WRAPAROUND SERIES

Lumen and CCT Changeable Wraparound

Type:

Fixture:

CONSTRUCTION

Lightweight steel body with a frosted polycarbonate diffuser, machine screws, drywall screws and anchors.

FINISH

Lightweight steel body with durable white powder coating and polycarbonate diffuser.

OPTICS

Frosted PC cover.

ELECTRICAL

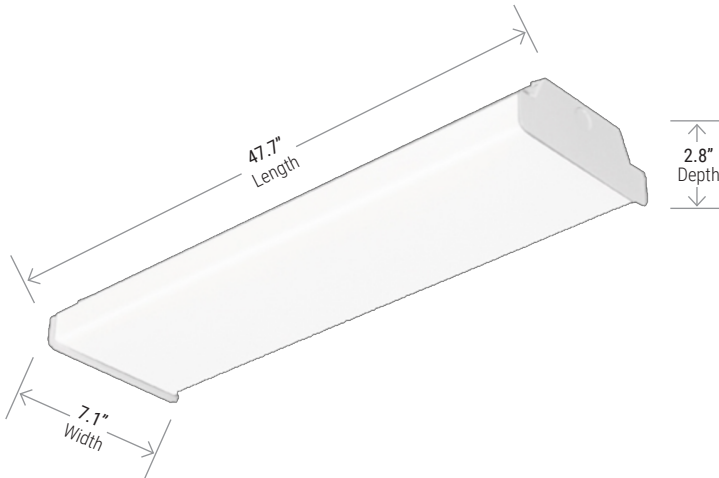
Class 2, constant current, 100V-277V, 50/60 HZ. Dimming 0-10V.

LISTINGS

UL certified. FCC. IES files available. For DLC compliant requirement, please contact sales department for more details

DIMENSION

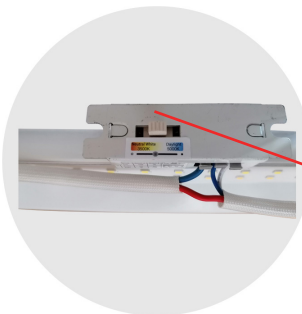
WR7W-4-LC-U-CC-C1



LUMEN CHART

WATTAGE	LUMENS
30W	4110LM
35W	4690LM
40W	5240LM

CCT SLIDE SWITCH



WATTAGE SLIDE SWITCH

