

WRAPAROUND SERIES

Wraparound Luminaire

Type:

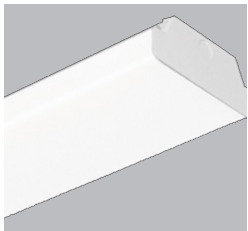
Fixture:



TECHNICAL DATA

PRODUCT	WR7W-483-52L
WATTAGE	40W
LUMENS	5200 LM
SIZE	48"
VOLTAGE	120-277V
CCT	40K, 50K
DIMMING	0-10V
CRI	Ra>80
LIGHTING ANGLE	101°
DRIVER EFFICIENCY	>90%
POWER FACTOR	>0.98
DRIVER	SIMON POWER

MOUNTING OPTION



Surface Mounting



Suspension Chain
*Sold separately

DESCRIPTION

The Wraparound might be the most versatile light on the market. Very popular among residential/commercial garages, commercial retail space and offices.

INTENDED USE

The Wraparound Lighting Series can be widely used for indoor excellent for offices, hallways, multipurpose rooms, office buildings, conference rooms, supermarket, store, and many other applications.



ORDERING INFORMATION

STANDARD ITEM: **WR7W-483-52L-40K**

OR CUSTOMIZE BELOW:

Series	Size	Lumen Package	CCT
WR7W Wraparound Series (7" Width)	483 (48" 4FT 3" Thick)	52L (5200 lm)	40K (4000K) 50K (5000K)

WRAPAROUND SERIES

Wraparound Luminaire

Type:

Fixture:

FEATURES

CONSTRUCTION

Lightweight steel body with a frosted polycarbonate diffuser, machine screws, drywall screws and anchors.

FINISH

Lightweight steel body with durable white powder coating. And polycarbonate diffuser.

OPTICS

Frosted PC cover.

ELECTRICAL

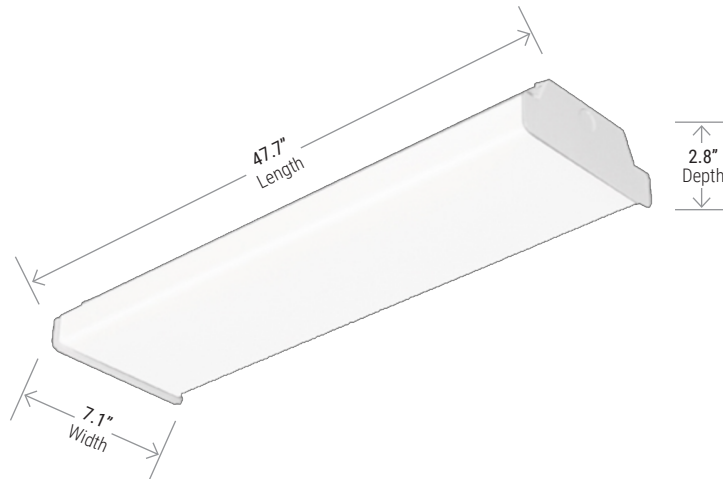
Class 2, constant current, 100V-277V, 50/60 HZ. Dimming 0-10V.

LISTINGS

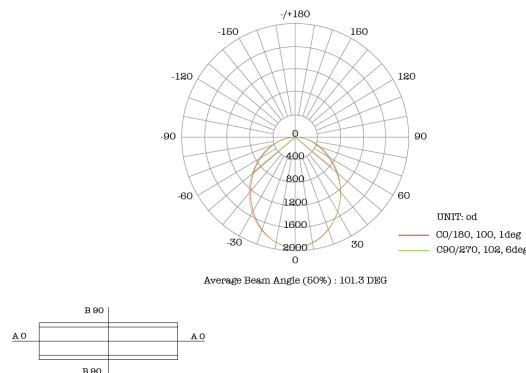
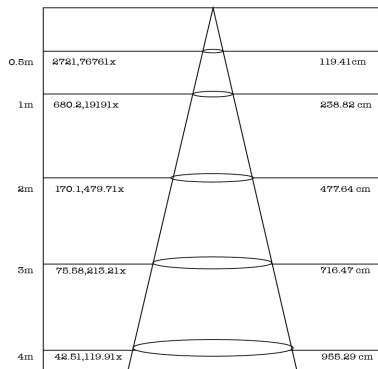
UL certified. DLC Premium

DIMENSION

WR7W-483-52L



PHOTOMETRICS



CO PLANE ISOLUX DIAGRAM (UNIT: 1x)

