

WALL PACK SERIES

Full Cut-Off Wall Pack Luminaire

Type:

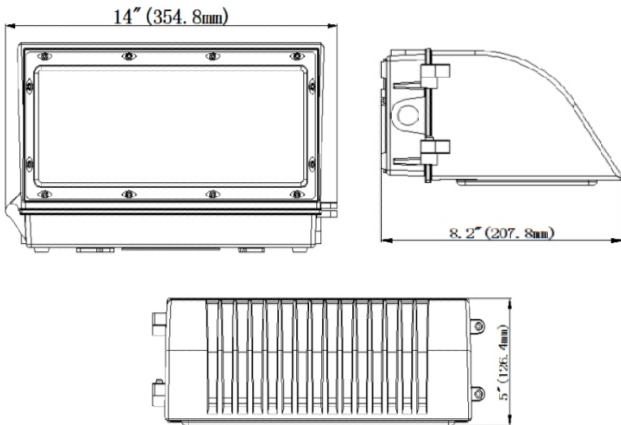
Fixture:

TECHNICAL DATA

PRODUCT	WPFC-54L	WPFC-88L
WATTAGE	45W	70W
LUMENS	5490 LM	8890 LM
EFFICACY	122 LM/W	127 lm/w
VOLTAGE	120 - 277V	
CRI	>70	
CCT	5000K	
BEAM ANGLE	62° X 118°	
POWER FACTOR	>0.95	
DRIVER EFFICIENCY	>90%	
WORKING TEMP.	-40°F ~ 104°F	



DIMENSION



DESCRIPTION

The Wall Pack is a robust light perfect for where higher strength materials are needed, such as alleyways and commercial and industrial areas. Handling the most extreme weather conditions and vandalism makes it a mount-it-and-forget-it friendly fixture.

INTENDED USE

WPFC series is ideal for illuminating alleyways, building faces, and commercial doorways.



ORDERING INFORMATION

STANDARD ITEM: **WPFC-88L-U-50K-DB**
OR CUSTOMIZE BELOW:

<input type="text"/>	-	<input type="text"/>	-	<input type="text"/>	-	<input type="text"/>	-	<input type="text"/>
Series		Lumen		Voltage		CCT		Finish
WPFC - (Full Cut-Off Wall Pack)		54L - (5490 lm, 45W) 88L - (8890 LM, 70W)		U - (120V-277V)		50K - (5000K)		DB - (Dark Bronze) RAL - (Custom Color)*

*Customized product may cause additional lead time

WALL PACK SERIES

Full Cut-Off Wall Pack Luminaire

Type:

Fixture:

FEATURES

CONSTRUCTION

Precision die-cast aluminum housing, dust-to-dawn photocell.

FINISH

Rust and corrosion proof with polyester powder coating.

OPTICS

Polycarbonate lens.

ELECTRICAL

Class 2, constant current, 120V-277V, 50-60 Hz.

LISTINGS

UL certified. IP65 Rated. DLC Premium.

AVAILABLE ACCESSORIES

*SOLD SEPARATELY



WPA-PHOTO

Photocell sensor
Power consumption up to 1000W