

POST TOP SERIES

Traditional Post Top Luminaire

Type:

Fixture:



TECHNICAL DATA

| PRODUCT | PTT | | |
|---------------------|------------------------------|------|---------------------|
| LUMENS | 3000 | 6000 | 12000 |
| WATTAGE | 30W | 60W | 120W |
| CCT | 3000K/4000K/5000K changeable | | 3000K, 4000K, 5000K |
| INPUT VOLTAGE | 100V-277V | | |
| FREQUENCY | 50/60 Hz | | |
| IP RATING | IP65 | | |
| CRI | 70+ | | |
| L70 LIFESPAN | over 50,000 hrs | | |
| WORKING TEMPERATURE | -40°F ~ 122°F | | |
| WARRANTY | 5 year limited | | |

DESCRIPTION

PTT (Post top traditional) is a medium scale 4 sided traditional lantern style LED post top luminaire. The luminaire is made of heavy wall cast aluminum alloy. It comes with a cast aluminum roof with integral heat sync to provide maximum life and performance for the LED light source. PTT is IP65 & wet location rated and comes standard with TYPE V, and also with available with TYPE III distribution. Our PTT comes standard with frosted lenses. Fits standard 3" pole, tenon adapters available for other sizes.

INTENDED USE

PTT is ideal for use illuminating building entryways, walking paths, pedestrian plazas, courtyards, outdoor retail locations, universities and historical sites.

POLE SOLD SEPARATELY



ORDERING INFORMATION

STANDARD ITEM: **PTT-30L-U-CC-T5-D01-FR-BK-3TN**

OR CUSTOMIZE BELOW:

| Series | Lumen Package | Voltage | CCT | Optics | CONTROL/OPTION | Lens | Finish | Accessories |
|---|------------------------------------|-------------|--|-----------------------------|---------------------------------------|--------------|-----------------------------------|---|
| PTT Traditional Style Post Top | 30L (3000L/30W) 60L (6000L/60W) | U (100-277) | CC (30K/40K/50K) | T3 (Type 3)* T5 (Type 5) | D01 (On/Off) 3P (3 Pin Photocell)* | FR (Frosted) | BK (Black) RAL (Custom Color)* | 3TN (3" Std Base Inc) 2TN (2-3/8" Tenon Adapter) 4TN (4" Tenon Adapter)* |
| | 120L (12000L/120W) | | 30K (3000K)* 40K (4000K) 50K (5000K) | | | | | |

*Custom product. May result in extended lead time.

POST TOP SERIES

Traditional Post Top Luminaire

Type:

Fixture:

FEATURES

CONSTRUCTION

Fixture shall be four-sided in form and feature both a die-casting roof and internal housing manufactured via heavy cast aluminum. Sealed top LED engine with Impact resistant PC optic & driver compartment with seamless silicone gaskets to an IP65 rating.

FINISH

Exterior parts are protected by polyester powder coating finish that provides superior resistance to corrosion for maximum retention of gloss and luster. A tightly controlled multi-stage process ensures a minimum 3-mil thickness for a finish that can withstand the elements without cracking or peeling.

OPTICS

The engine optic shall be one-piece, injection molded, non-yellowing Impact resistant PC, sealed top and bottom with seamless silicone gaskets to an IP65 rating. Light engines are available in 3000K, 4000K or 5000K @ 70+CRI.

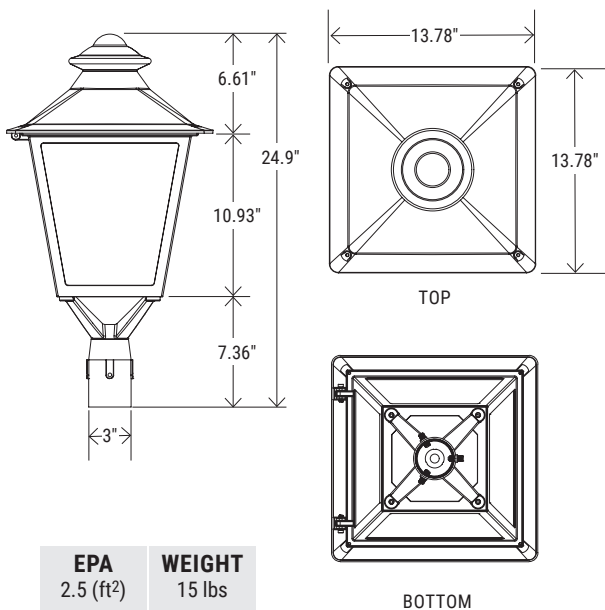
ELECTRICAL

Light engines consist of high-efficacy LEDs mounted to deliver 100 lumen per watt while maintain a promote long life of L70 > 100,000 hours. Class 2 outdoor rated LED drivers are designed for an expected life of over 50,000 hours.

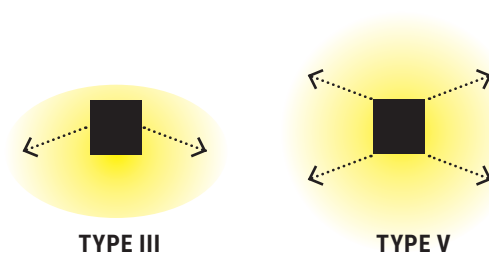
LISTINGS

ETL certified. Luminaire is IP65 rated.

DIMENSIONS

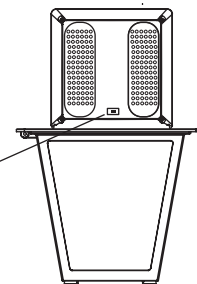


DISTRIBUTION

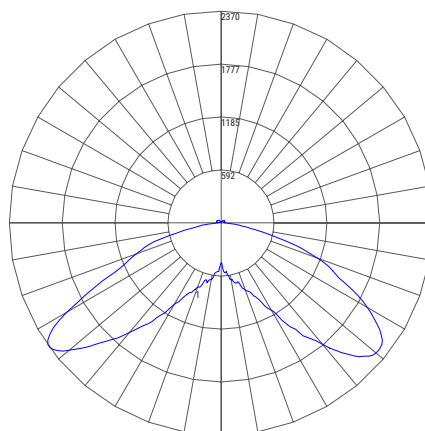


FIELD-ADJUSTABLE CCT

Color temperature setting:
Color temperature selection by Slide switch. 3000K/4000K/5000K field adjustable. Please slide the color temperature indicator to your preferred color position.



PHOTOMETRIC DATA



PTT-60L-U-30K-T3
(Shown, IES available)