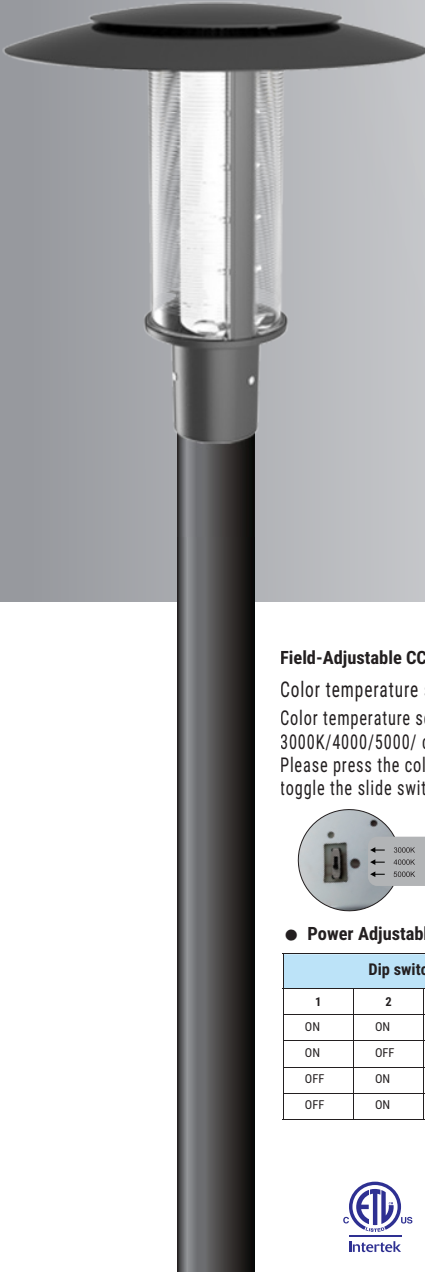


# POST TOP SERIES

## Contemporary Post Top Luminaire

Type:

Fixture:



### TECHNICAL DATA

PRODUCT	PTC			
	WATTAGE	50W	60W	70W
LUMENS	4500 LM	5400 LM	6300 LM	7200 LM
CCT	3000K/ 4000K/ 5000K Color Changeable			
VOLTAGE	100 - 277V			
CRI	>70			
FREQUENCY	50 / 60 HZ			
L70 LIFESPAN	OVER 50,000 HRS			
IP RATING	IP65			
WORKING TEMP.	-30°F ~ 122°F			

#### Field-Adjustable CCT & Output Wattage

Color temperature setting

Color temperature selection by slide-switch.

3000K/4000/5000/ color temperature.

Please press the color temperature indicator to toggle the slide switch to the corresponding position



#### Power Adjustable Dip Switch Setting

Dip switch setting				POWER/W
1	2	3	4	
ON	ON	OFF	OFF	80
ON	OFF	ON	OFF	70
OFF	ON	ON	ON	60
OFF	ON	OFF	ON	50

### DESCRIPTION

The PTC LED post top luminaire is a medium scale fixture featuring a tall, cylindrical body made up of a cast aluminum top and round lens. This classic contemporary designed fixture can be perfectly suited for a wide variety of area lighting applications such as to complement outdoor pathway and perimeter of architectural building, PTC is lumen changeable for different mounting height, 3 different color temperature from warm white to cold white. PTC's elegant design and pedestrian-friendly illumination elevate the experience of occupant in today's urban pedestrian spaces.

### INTENDED USE

PTC is ideal for use illuminating building entryways, walking paths, pedestrian plazas, courtyards, outdoor retail locations, universities and corporate campuses.



### ORDERING INFORMATION

STANDARD ITEM: **PTC-LC-CC-U-BK-D01**

OR CUSTOMIZE BELOW:

<input type="text"/>	-	<input type="text"/>	-	<input type="text"/>	-	<input type="text"/>	-	<input type="text"/>	-	<input type="text"/>
Series		Lumen Changeable		CC		Voltage		Finish		Control/ Option
<b>PTC</b> - (Contemporary Style Post Top)		<b>LC</b> - Lumen Changeable (4500 lm, 50W/ 5400 lm, 60W/ 6300 lm, 70W/ 7200 lm, 80W)		<b>CC</b> - Color Changeable (3000K/ 4000K/ 5000K)		<b>U</b> - (100 - 277V)		<b>BK</b> - (Black) <b>RAL</b> - (RAL Custom Color)		<b>D01</b> - (on/ off)

# POST TOP SERIES

## Contemporary Post Top Luminaire

Type:

Fixture:

### FEATURES

#### CONSTRUCTION

Fixture shall be cylindrical in form and feature both a die-casting roof and internal housing manufactured via heavy cast aluminum. The outer lens shall be one-piece, injection molded, non-yellowing Impact resistant PC, sealed top and bottom with seamless silicone gaskets to an IP65 rating.

#### FINISH

Exterior parts are protected by triglycidal isocyanurate (TGIC) polyester powder coating finish that provides superior resistance to corrosion and weathering for maximum retention of gloss and luster. A tightly controlled multi-stage process ensures a minimum 3-mil thickness for a finish that can withstand the elements without cracking or peeling.

#### OPTICS

The outer lens shall be one-piece, injection molded, non-yellowing Impact resistant PC, sealed top and bottom with seamless silicone gaskets to an IP65 rating.

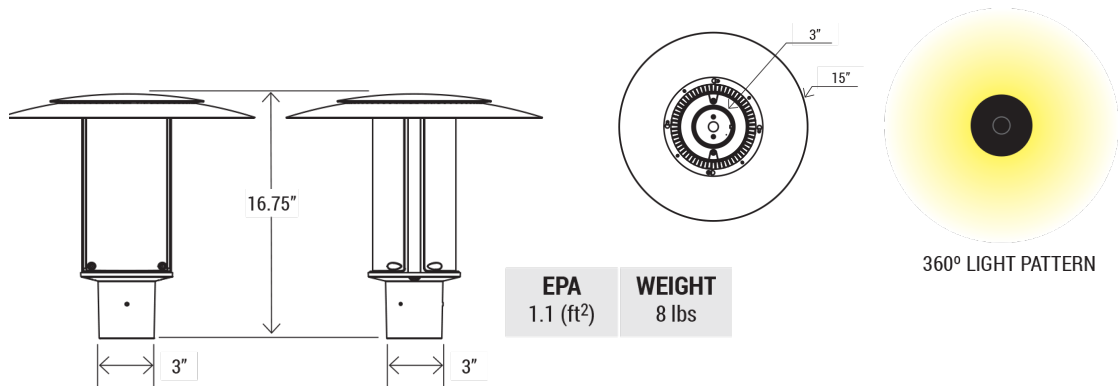
#### ELECTRICAL

Light engines consist of high-efficacy LEDs mounted to deliver 90 lumen per watt while maintain a promote long life of L70 > 100,000 hours. Class 2 electronic drivers are designed for an expected life of 50,000 hours.

#### LISTINGS

ETL certified. Luminaire is IP65 rated. DLC listed.

### DIMENSIONS



### PHOTOMETRICS

