

# UFO HIGH BAY SERIES

Round Efficient High Bay

Type:

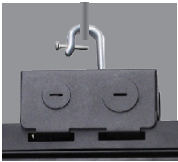
Fixture:



## TECHNICAL DATA

PRODUCT	HB08A-150W-50K	HB08A-240W-50K
WATTAGE	150W	240W
LUMENS	21,146 LM	34,278 LM
EFFICACY	142 LM/W	144 LM/W
DIAMETER	12"	14"
VOLTAGE	100V-277V	
CRI	>74 Ra	
CCT	5000K	
BEAM ANGLE	90°	
POWER FACTOR	>0.919	
THD	<13.8%	
WORKING TEMP.	-40°F ~ 104°F	
DIMMING	0-10	

## MOUNTING OPTION



Suspended



Pendant



Surface w/ J-box

## DESCRIPTION

The UFO High Bay works excellent for tall ceiling heights and with multiple mounting styles included, it makes attachment to any inside roof structure easy. Desirable beam angles and light distribution is accomplished with optional lenses. So whether its high ceiling warehouse or retail/commercial space, the UFO fixture has you covered.

## INTENDED USE

The UFO High Bay is ideal for illuminating indoor warehouse, gymnasium, and commercial/retail space.



## ORDERING INFORMATION

STANDARD ITEM: **HB08A-150W-50K-277V-9**  
OR CUSTOMIZE BELOW:

Series	Wattage	CCT	Voltage	Distribution
HB08A - (High Bay / Versions)	150W 240W	50K - (5000K)	277V - (100-277V)	6 - (60°) 9 - (90°) 12 - (120°)

# UFO HIGH BAY Series

## Round Efficient High Bay

Type:

Fixture:

### FEATURES

#### CONSTRUCTION

Heavy-duty cast aluminum housing, rust and corrosion proof with polyester powder coating. Aluminum sink attached to the housing directly to reduce LED heats and add to life. Comes standard with J-box and hook.

#### FINISH

Black Finish. Environmentally friendly polyester powder coatings are formulated for high-durability and long-lasting color, and contain no VOC or toxic heavy metals.

#### OPTICS

High light transmittance polycarbonate with UV protection. 60° and 120° lenses available (90° standard).

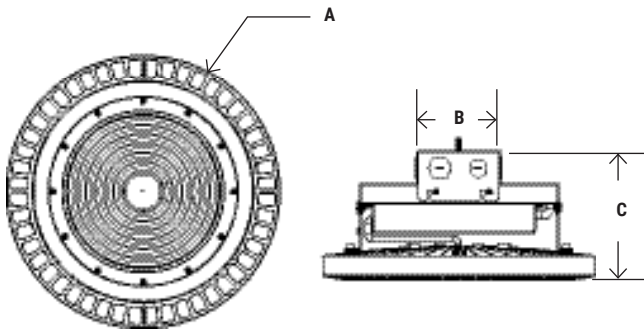
#### ELECTRICAL

Driver: Class 2, constant current, 100V-277V, 50/60 Hz, 0.95Amp@100V, Inventronics brand. Surge protection: 4KV inside of Driver. Photometrics and IES files available upon request.

#### LISTINGS

ETL certified. Luminaire is IP65 rated. DLC Listed.

### DIMENSION



PRODUCT	A	B	C
HB08A-150W-50K	12"	4.5"	6"
HB08A-240W-50K	14"	4.5"	6.5"

### AVAILABLE ACCESSORIES

\*SOLD SEPARATELY



**HB08A-406VRH**  
Microwave Motion Sensor

Microwave smart controller, black with a bracket and J-box for UFO High Bay



**HBOBA-40GVRH-RMT**  
Remote



**EWG-040U**  
Emergency Inverter



**EWG-040U-REMOTE**  
Remote