

# DISK LIGHT SERIES

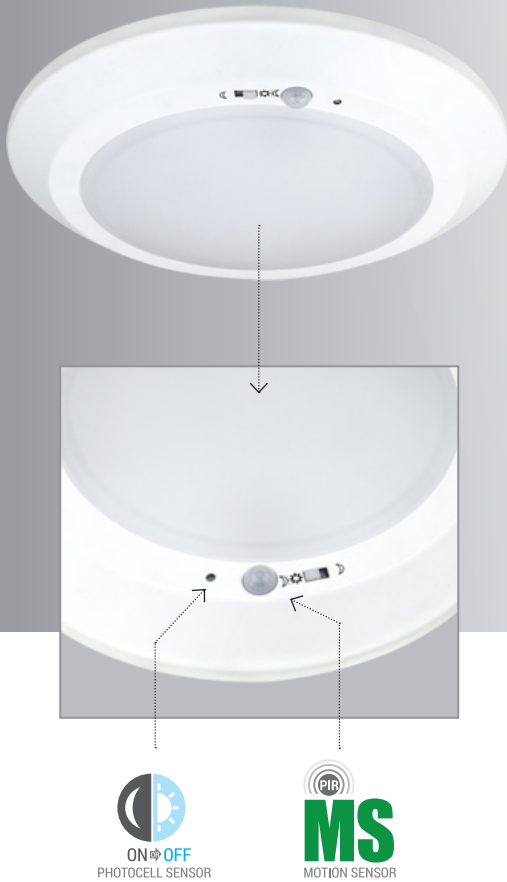
## Smart Disk Luminaire

Project Name:

Fixture:

### TECHNICAL DATA

PRODUCT	DSKL10-18WCC-S
WATTAGE	18W
LUMENS	1200 LM
EFFICACY	65 LM/W
DIAMETER	10"
VOLTAGE	120V
CRI	>80
CCT	3000K/4000K/5000K Changeable
BEAM ANGLE	120°
POWER FACTOR	>0.9
THD	<20%
WORKING TEMP.	-13°F ~ 104°F



#### SWITCHABLE BETWEEN DAYLIGHT MODE AND NIGHT MODE

- Daylight mode:** Turns the light ON day and night time whenever motion is detected
- Night mode:** Turns the light ON when motion is detected and the space light intensity is <501ux

### DESCRIPTION

The Disk Light SMART design takes it a bit further than it's counterparts adding the Daylight harvesting feature along with motion sensing and color changeability. Works well in the areas that our other disk lights do but when there is offsetting light exposure detected the fixture dims or turns off allowing for additional cost savings. This feature is switchable which makes it customizable to fit any lighting need.

### INTENDED USE

The Disk Light Smart is ideal for illuminating residential and commercial bathrooms, residential and commercial closets, hallways and maintenance areas.



### ORDERING INFORMATION

EXAMPLE: **DSKL10-18WCC-S**

Series	Size	Wattage	CCT	Accessories
DSKL Smart Disk Light Series	10 (10")	18W (18 Watts)	CC (Color Changeable) (3000K/4000K/5000K)	S (Both Sensor and Daylight Harvest)

# DISK LIGHT SERIES

## Smart Disk Luminaire

Project Name:

Fixture:

### FEATURES

#### CONSTRUCTION

Aluminum alloy.

#### FINISH

Rust and corrosion proof polyester powder coating.

#### LENS

Frosted PC cover.

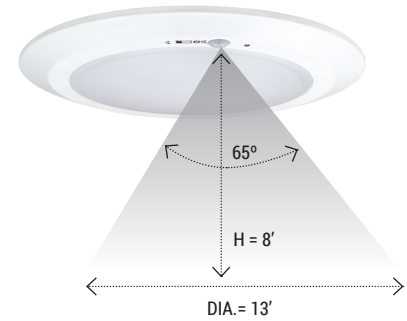
#### ELECTRICAL

Class 2, constant current, 120v 50/60 Hz, 0.18Amps@100V. Switchable between (DAYLIGHT MODE) turns light on day or night time whenever motion is detected (NIGHT MODE) turns the light on when motion is detected and the space light intensity is <50lux.

#### LISTINGS

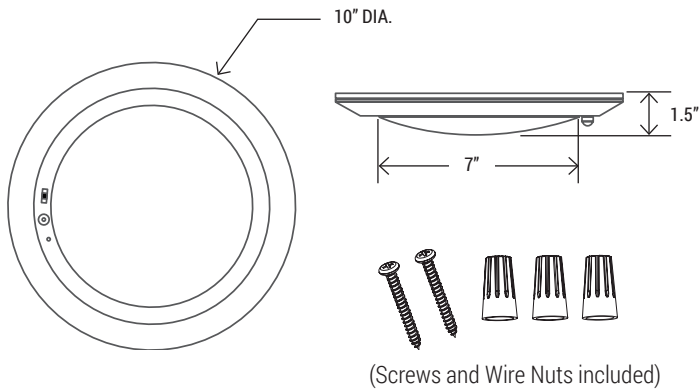
ETL certified.

### EFFECTIVE RANGE

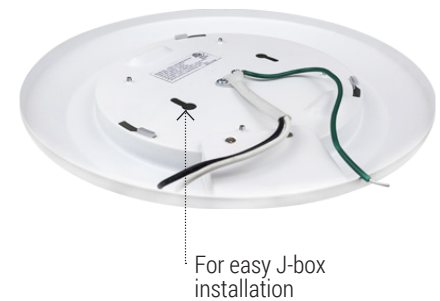


- The fixture turns the light ON automatically when it is triggered and turns the lights OFF after 30 seconds when the room is vacated
- Integrated photocell sensor ensures the fixture remains off during the day, which saves your electricity

### DIMENSION



### EASY INSTALLATION FOR MULTIPLE J-BOXES



### DETAILS

