

## SHENZHEN YIHUI LIGHTING CO.,LTD

Emergency LED Driver  
YH28-08WLSeries  
Input AC100-347V; Output 8W, DC15-50V and 50-180V

### Features

- Maintained and non-maintained emergency mode.
- Combined emergency inverter and battery.
- Suits for installed both inside and outside lighting fixture.
- Extra relay, control normal LED driver.
- Used with LiFePO4 battery pack.
- UL Listed certificate, **E483815**



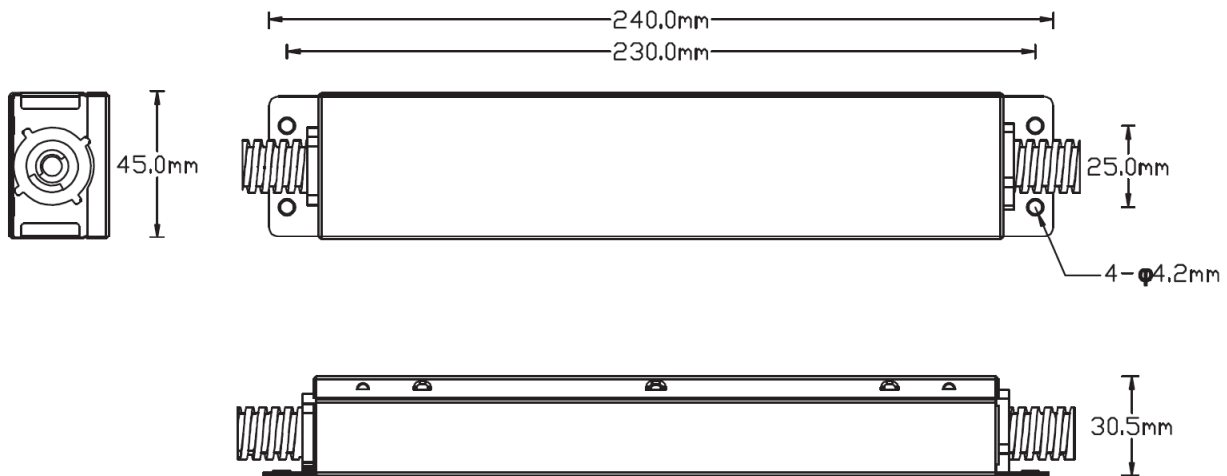
### Electrical Data

Type	YH28-08WL-50	YH28-08WL-180
Rated Input Voltage	100-347VAC 50-60Hz	100-347VAC 50-60Hz
Rated Input Current	80mA Max@100VAC	80mA Max@100VAC
Rated Input Power	5W Max@347VAC	5W Max@347VAC
Power Factor	0.70@100VAC; 0.60@347VAC	0.70@100VAC; 0.60@347VAC
Blue & White Lead (Input Pass Through)	3A Max	3A Max
Purple and Grey Lead (Led Driver Output Pass Through)	50V 3A Max	180V 1.5A Max
Charge Time	24hours	24hours
Emergency Time	90 Minutes	90 Minutes
Charge Current	0-220mA	0-220mA
Charge Voltage Limit	7.4V	7.4V
Battery Type	LiFePO4 6.4V 3.2Ah	LiFePO4 6.4V 3.2Ah
Battery Cells Type	LiFePO4 3.2V 3.2Ah IFR26650	LiFePO4 3.2V 3.2Ah IFR26650
Output Voltage Range	DC15-50V	DC50-180V
Output Power	8W (7-8.5W) Constant Power	8W (7-8.5W) Constant Power
Ambient Operating Temperature Range	10°C to 50°C	10°C to 50°C
Storage Temperature	-10...35°C	-10...35°C
Charge and Discharge Cycle	1000 full Cycles	1000 full Cycles
RFI/EMI	FCC	FCC
Design life	50,000 Hours	50,000 Hours
Approvals / Class	UL Listed, Class 2, Damp and Dry Locations	UL Listed, Class 2, Damp and Dry Locations
IP Protections	IP20	IP20
Net Weight	0.430Kg	0.430Kg
Protections	Input over-current Protection (Fuse) Output over-voltage Protection Output Low Voltage Protection Output Short Circuit Protection	Input over-current Protection (Fuse) Output over-voltage Protection Output Low Voltage Protection Output Short Circuit Protection
Test switch	Emergency conversion Kit will go into emergency mode if test switch is pressed when main supply is on, while it will go into charging mode if test switch is not pressed. In emergency mode, press the test switch for 3 seconds to turn off emergency mode.	
LED Indicator	1. Connect emergency pack with main supply for the very first time, it would make a 0.5S emergency test. 2. Red indicator on: charging the battery and charging full. 3. Red indicator flashing during charging: battery disconnect. 4. Red indicator flashing 2S or 5S and then off during emergency mode: Output abnormal protection, e.g. output over-current protection, output over-voltage protection, output low voltage protection, no load protection, over-load protection, short-circuit. 5. Red indicator off: Emergency mode.	

*This specification should be explained by YIHUI lighting itself and YIHUI has the right to modify this specification without any notice to others.*

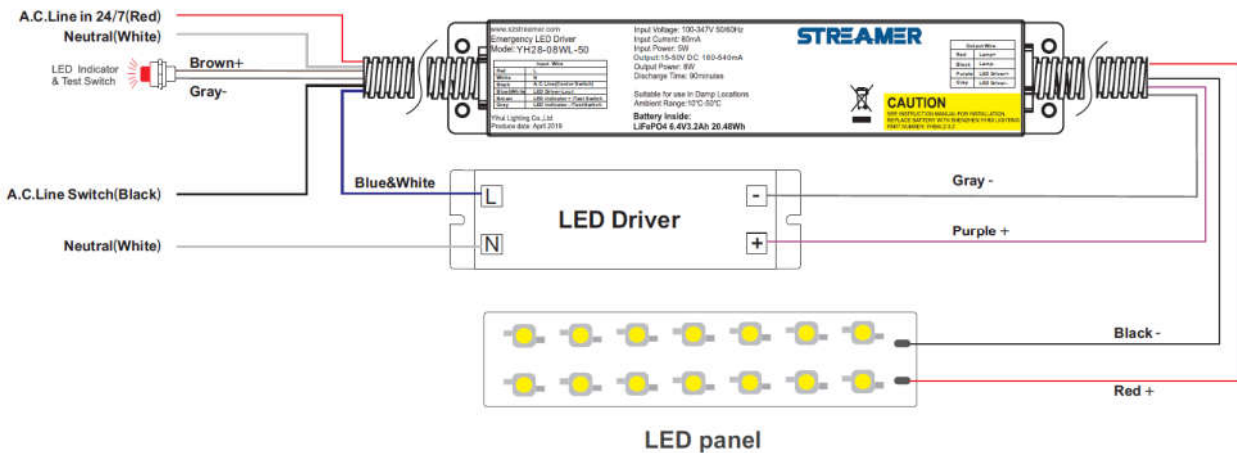


## Mechanical Data



Size: L240.0mm(9.45")×W45.0mm(1.77")×H30.5mm ( 1.20" )  
 Length: Input and Output wire, Not less than 465mm(18.31")  
 Metal Tube Length: Input and Output: 300mm(11.81")

## Wiring Diagrams



\*This Driver Must Be Grounded.

## Warranty

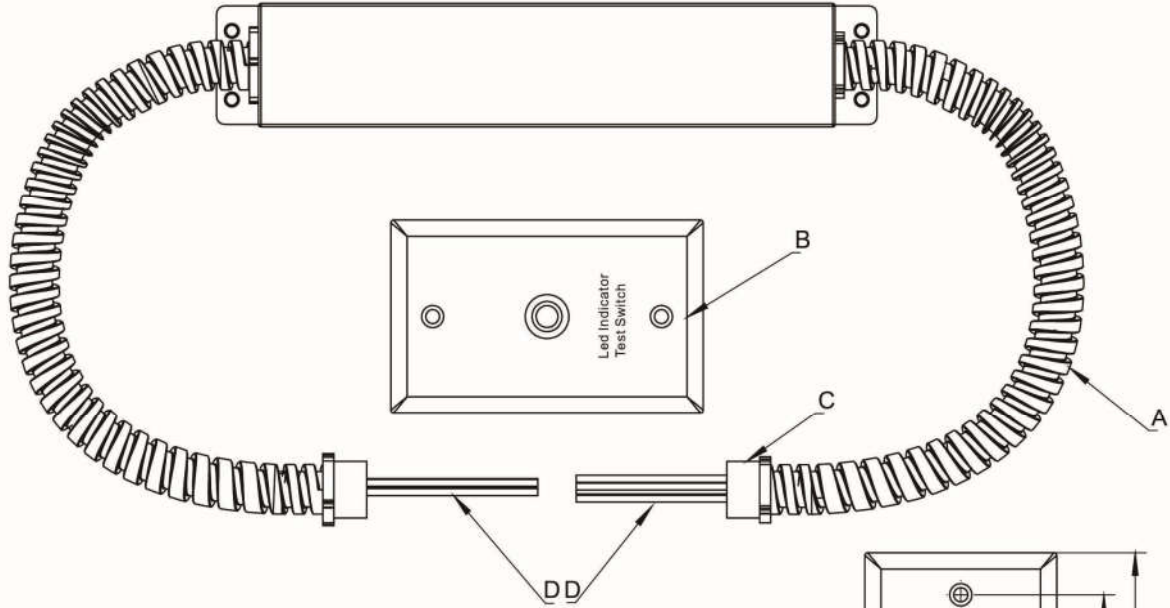
Warranty: 5 Years

Exception:

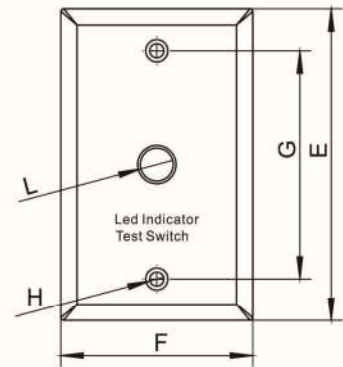
- 1) Improper installation or Operation
- 2) Misuse
- 3) Abuse
- 4) Unauthorized or Improper Repair Alteration.
- 5) Accident or Negligence in use, Storage, Transportation.
- 6) Any natural acts.

*This specification should be explained by YIHUI lighting itself and YIHUI has the right to modify this specification without any notice to others.*

[www.szstreamer.com](http://www.szstreamer.com)



Number	Explanation
A	Meguiar's metal hose length 300mm
B	Plastic panel switch
C	Metal hose connection with a hole opening of 20mm
D	The free length of the connector is 165mm



Number	Size (unit: mm)
E	114
F	70
G	83.5
H	Installation hole (2- phi 5.1)
L	Installation hole of switch 12.2



SIZE: 400\*210\*40mm  
 WEIGHT: 0.884kg