

HOSPITALITY SERIES

Vanity Glass Up and Down Wall Light

Type:

Fixture:



TECHNICAL DATA

PRODUCT	VANG-R	VANG-S
WATTAGE	18W	
LUMENS	950 LM	
EFFICACY	52 LM/W	
CCT	3000K/5000K	
VOLTAGE	120V	
LIGHT DIRECTION	2	
CRI	80+	
POWER FACTOR	0.9	
INPUT FREQUENCY	60 Hz	
WORKING TEMP.	-0.4°F ~ 113°F	
FINISH	BLACK	
DIMMING	NON-DIMMING	

DESCRIPTION

Our Vanity Glass Up and Down Wall Light creates a unique lighting effect for any outdoor environment. The die cast aluminum design helps the fixture last longer, even in extreme weather conditions. This product is suitable for wet locations, and the glass lens creates a clear and bright lighting. No bulb replacement required.

INTENDED USE

Our Vanity Series is ideal for commercial spaces. This luminaire is most popular in offices, warehouses, public areas, and other commercial areas.



ORDERING INFORMATION

STANDARD ITEM: **VANG-R-9L-30K-BK**

OR CUSTOMIZE BELOW:

[]	-	[]	-	[]	-	[]	-	[]
Series		Style		Lumen Package		CCT		Finish
VANG - (Vanity Glass Up and Down Wall Light)		R - (Round) S - (Square)		9L - (950 lm, 18W)		30K - (3000K) 50K - (5000K)		BK - (Black)

HOSPITALITY SERIES

Vanity Glass Up and Down Wall Light

Type:

Fixture:

FEATURES

CONSTRUCTION

Die-casting aluminum metal housing. Heavy duty metal frame, LED array, heat sink, reflector, glass lens and gasket.

FINISH

Black finish. Coated in an environmentally safe polyester coating.

OPTICS

High quality glass lens.

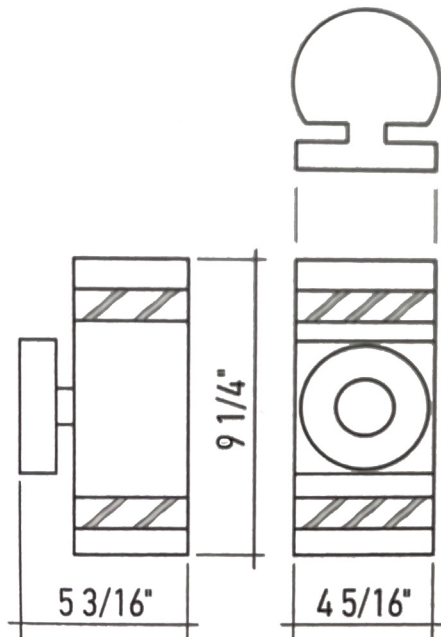
ELECTRICAL

Class 2, constant current, 120V 60 HZ, 0.95Amp@100V.

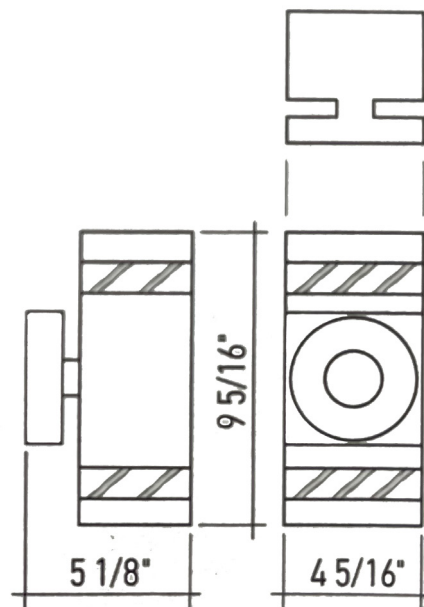
LISTINGS

ETL certified. 5 year warranty. Suitable for wet locations

DIMENSIONS



VANG-R



VANG-S