

HOSPITALITY SERIES

Wide Round Outdoor Wall Cylinder with Photocell

Type:

Fixture:



TECHNICAL DATA

PRODUCT	VANCWP-7L	VANCWP-15L
SIZE	7"	12"
WATTAGE	9W	18W
LUMENS	750 LM	1500 LM
EFFICACY	83 LM/W	
CC	Color Changeable - 3000K/4000K/5000K	
VOLTAGE	120-277V	
LIGHT DIRECTION	1	2
BEAM ANGLE	50°	
CRI	80+	
POWER FACTOR	0.9	
WORKING TEMP.	-40°F ~ 113°F	
FINISH	BLACK, BRONZE	
DIMMING	NON DIMMING	

DESCRIPTION

Our Wide LED Round Outdoor Wall Cylinder creates a unique lighting effect for any outdoor environment. The die cast aluminum design helps the fixture resist rust. The high quality reflector creates a 50° beam angle as well. Color adjustable, you can choose either 3000k, 4000k, or 5000k with a simple switch. The photocell allows the fixture to automatically turn on/off depending on the time of day.

INTENDED USE

This Wide LED Round Outdoor Wall Cylinder creates a cozy ambiance that is great for indoor and outdoor projects such as decks, front doors, porches, patios, gardens, corridors, balconies, villas, and walkways. The fixture is Wet location rated and suitable for severe weather conditions.



ORDERING INFORMATION

STANDARD ITEM: **VANCWP-15L-CC-BK**

OR CUSTOMIZE BELOW:



Series	Lumen Package	CC	Finish
VANCWP - (Wide Cylinder Vanity Wall Light with Photocell)	7L - (750 lm, 9W)	CC - Color Changeable (3000K/4000K/55000K)	BK - (Black) BZ - (Bronze)
	15L - (1500 lm, 18W)		

HOSPITALITY SERIES

Wide Round Outdoor Wall Cylinder

Type:

Fixture:

FEATURES

CONSTRUCTION

Die-casting aluminum metal housing. Heavy duty metal frame, LED array, heat sink, reflector, lens and gasket.

FINISH

Black, or bronze. Coated in an environmentally safe polyester coating

OPTICS

High quality lens.

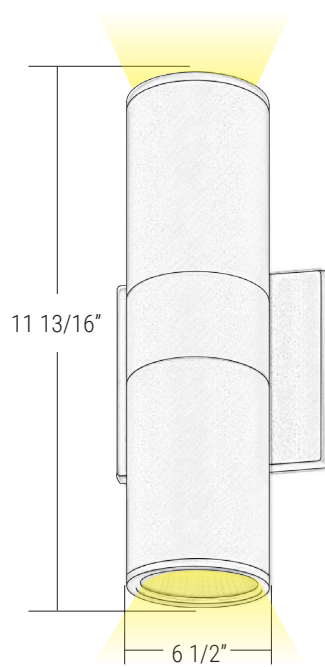
ELECTRICAL

Class 2, constant current, 120-277V 50-60 HZ, 0.95Amp@100V.

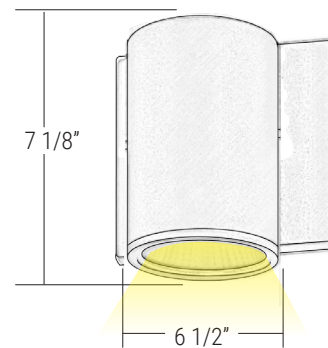
LISTINGS

ETL certified. 5 year warranty. Energy Star listed. Suitable for wet locations

DIMENSIONS



VANCWP-15L



VANCWP-7L

PHOTOCELL SETTINGS

The fixtures with a built-in photocell automatically turn off during daylight hours.

- The light is always **ON** when luminance is <90 lux (night time).
- The light is always **OFF** when luminance is >90 lux (day time).