

TROFFER SERIES

Tunable Troffer

Type:

Fixture:

TECHNICAL DATA

PRODUCT	TT-22-37L	TT-24-58L
WATTAGE	20W/ 25W/ 30W	34W/ 38W/ 45W
SIZE	2 X 2	2 X 4
LUMENS	3780 LM	5805 LM
EFFICACY	126 LM/W	129 LM/W
CC	3500K/ 4000K/ 5000K	
VOLTAGE	120 - 277 VAC	
DIMMING	0 - 10 VDC	
CRI	80	
LIGHTING ANGLE	119°	
DRIVER	SIMON POWER	
POWER FACTOR	0.9	
WORKING TEMP.	-4°F ~ 122°F	



Mounting Option:
Embedded Installation



DESCRIPTION

Our Tunable Troffer is wrapped in a sheet iron design aiding in better cooling and light quality. This product stands apart with its adjustable power function. Giving you the freedom to adjust the color temperature. The Troffer's optical design greatly improves the light utilization and evenness, making it the choice for commercial spaces.

INTENDED USE

The Troffer Series can be widely used for indoor excellent for offices, hallways, multipurpose rooms, office buildings, conference rooms, supermarkets, stores and many other applications.



ORDERING INFORMATION

STANDARD ITEM: **TT-22-37L-CC**

OR CUSTOMIZE BELOW:



Series	Size	Lumen Package	CC
TT - (Tunable Troffer)	22 - (2' x 2')	37L - (3780 lm, 20W/25W/30W)	CC - (3500K/ 4000K/ 5000K)
	24 - (2' x 4')	58L - (5805 lm, 34W/38W/45W)	

TROFFER SERIES

Tunable Troffer

Type:

Fixture:

FEATURES

CONSTRUCTION

Enclosure constructed of 22-gauge die-formed steel.

FINISH

Powder-coated finish.

OPTICS

Precision laser cut optical grade acrylic guide provisions uniformed lighting distribution.

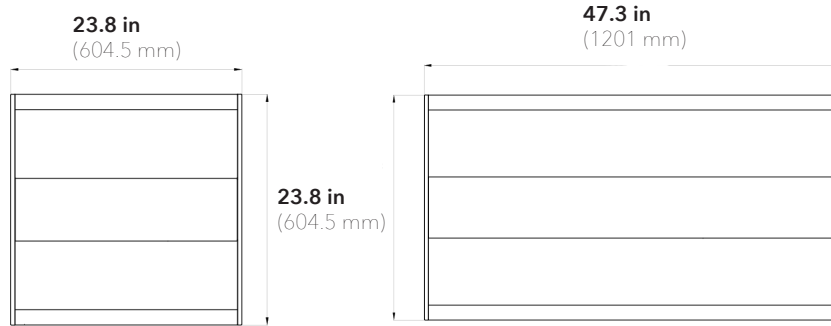
ELECTRICAL

Input Voltage: 120-277VAC. Class 2, constant current, 120-277V, 50/60Hz. 0-10V dimming.

LISTINGS

UL listed. DLC Listed. Over 50,000 hours Lifespan, 50/60 Hz.

DIMENSIONS



Model: TT-22-37L

Model: TT-24-58L

PHOTOMETRICS

