

TROFFER SERIES

Indirect Vertical Luminaire

Type:

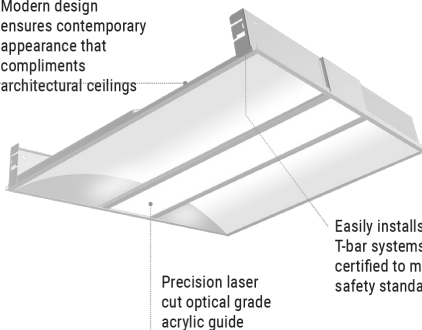
Fixture:

TECHNICAL DATA

PRODUCT	TI-22	TI-24
SIZE	2' X 2'	2' X 4'
WATTAGE	30W/ 35W/ 40W	30W/ 40W/ 50W
LUMENS	Lumen Changeable 3300 LM/ 3850 LM/ 4400 LM	Lumen Changeable 3300 LM/ 4400 LM/ 5500 LM
CC	Color Changeable 3000K/ 3500K/ 4000K	
EFFICACY	110 LM/W	
VOLTAGE	120 - 277V	
DIMMING	0 - 10V	
CRI	>80	
POWER FACTOR	>0.9	
WORKING TEMP.	-30°F ~ 113°F	



Modern design ensures contemporary appearance that compliments architectural ceilings



Easily installs in standard T-bar systems and certified to meet U.S. safety standard

Precision laser cut optical grade acrylic guide

DESCRIPTION

The Troffer Indirect is a recessed luminaire with a traditional modern design with the latest lighting technology. Transparent optics engineered specifically for LED sources are integrated with minimalist design and architectural materials to create a broad range of solutions with superior optical and energy performance. The dip switch function gives freedom of changing between CCT option as well as lumen output.

INTENDED USE

The Troffer Series is ideal for illuminating office spaces, lobbies, building hallways, garages, and medical centers.



ORDERING INFORMATION

STANDARD ITEM: **TI-22-LC-U-CC**

OR CUSTOMIZE BELOW:



Series	Size	Lumen Package	Voltage	CCT
TI - (Troffer Indirect)	22 - (2' x 2')	LC - Lumen Changeable (3300 lm, 30W/ 3850 lm, 35W/ 4400 lm, 40W)	U - (120 - 277V)	CC - Color Changeable (3000K/ 3500K/ 4000K)
	24 - (2' x 4')	LC - Lumen Changeable (3300 lm, 30W/ 4400 lm, 40W/ 5500 lm, 50W)		

TROFFER SERIES

Indirect Vertical Luminaire

Type:

Fixture:

FEATURES

CONSTRUCTION

Aluminum.

FINISH

Powder-coated finish.

OPTICS

Precision laser cut optical grade acrylic guide provides uniformed lighting distribution.

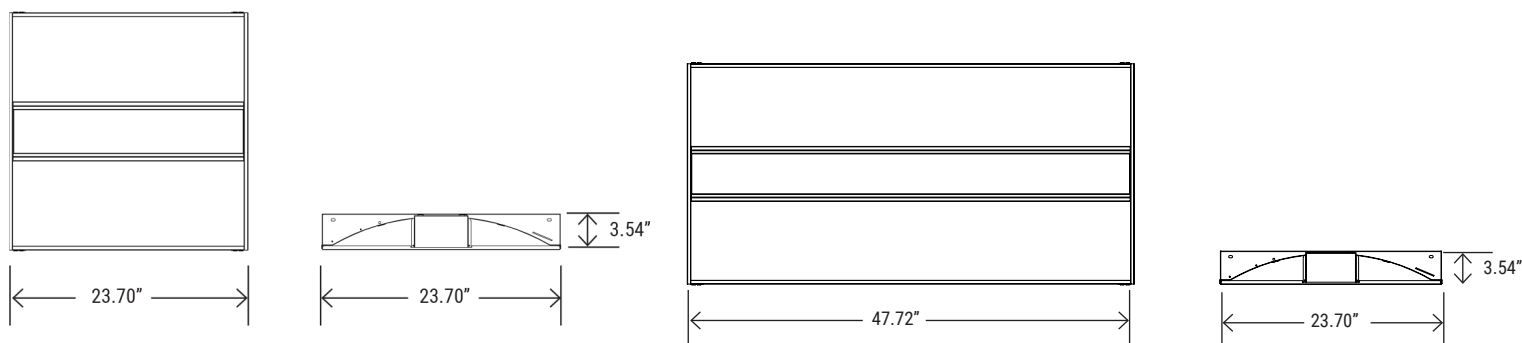
ELECTRICAL

Input Voltage: 120-277V. Standard class 2 isolated drivers.

LISTINGS

UL certified. DLC Listed. Suitable for damp locations.

DIMENSIONS



PHOTOMETRICS

