

PARKING LOT LIGHT SERIES

Parking Lot Light 2nd Generation with Photocell

Type:

Date:



DESCRIPTION

One of the most versatile fixtures in our line, the Parking Lot Light easily illuminates a variety of areas. Four different mounting styles help to incorporate onto any surface. Modern design and good looks complement its ruggedness and powerful operation.

INTENDED USE

Parking Lot Light series is ideal for illuminating the roads, parks, parking lots, and event fields and courts.

TECHNICAL DATA

PRODUCT	PKL2P-87L	PKL2P-130L	PKL2P-210L	PKL2P-270L	PKL2P-420L
WATTAGE	60W	100W	150W	200W	300W
LUMEN	8700 lm	13000 lm	21000 lm	27000 lm	42132 lm
EFFICACY	145 lm/W	130 lm/W	140 lm/W	135 lm/W	140 lm/W
EPA	0.621 FT ²	0.641 FT ²	0.642 FT ²	0.644 FT ²	0.677 FT ²
CCT	5000K				
CRI	70				
INPUT VOLTAGE	AC120-277V				
DISTRIBUTION	Type II, Type III, Type IV, Type V				
POWER FACTOR	.95				
DRIVER EFFICACY	90%				
LIFE SPAN	over 50,000 hrs				
WORKING TEMPERATURE	-22°F ~ 113°F				
STORAGE TEMPERATURE	-40°F ~ 176°F				
IP RATING	Wet location / IP65				
CABLE	3 core, 18AWG 0.5m				
WARRANTY	5 year limited				

ORDERING INFORMATION

STANDARD ITEM: **PKL2P-420L-U-50K-T3-BZ**

OR CUSTOMIZE BELOW:

- - - - -

Series	Package	Voltage	CCT	Optics	Finish
PKL2P - (Parking Lot Light 2 nd Generation with photocell)	87L - (8700L/60W) 130L - (13000L/100W) 210L - (21000L/150W) 270L - (27000L/200W) 420L - (42132L/300W)	U - (120-277V)	50K - (5000K)	T2 - (Type II)* T3 - (Type III) T4 - (Type IV)* T5 - (Type V)*	BZ - (Dark Bronze) RAL - *(Custom Color)

*Customized product may cause additional lead time



PARKING LOT LIGHT SERIES

Parking Lot Light 2nd Generation with Photocell

Type:

Date:

FEATURES

CONSTRUCTION

Shell materials: aluminum & PC. Wrapped in die-cast aluminum.

FINISH

Dark Bronze polyester coating. RAL custom color available, call our sales representative for more information.

OPTICS

High precision molded proprietary polycarbonate lenses engineered for superior lighting distribution. Option of Type II, III, IV, V lenses available. *(Lens standard type III)

ELECTRICAL

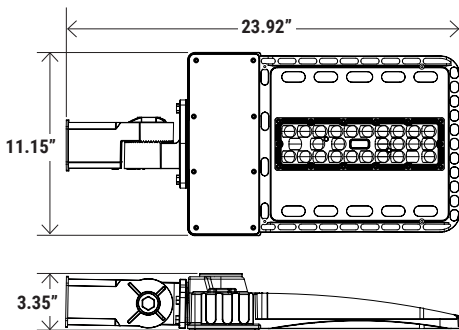
Class 2, constant current, 120V-277V, Inventronics Brand Driver.

LISTINGS

UL certified. Luminaire is IP65 rated. DLC Premium listed.

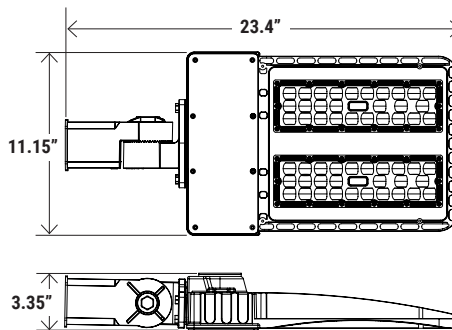
**IES files available upon request

DIMENSION



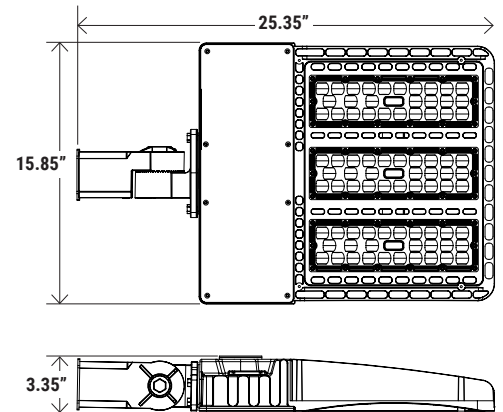
PKL2P-87L/PKL2P-130L

EPA 60W - 0.621 FT²
100W - 0.641 FT²



PKL2P-210L/PKL2P-270L

EPA 150W - 0.642 FT²
200W - 0.644 FT²



PKL2P-420L

EPA 300W - 0.677 FT²

AVAILABLE ACCESSORIES

(SOLD SEPARATELY)



PKL2-ANT-5
Motion Sensor



RC-100
Remote Control



TL7-B2
Twist-Lock Lighting Controller
110-277V



BL-PKL-PHOYO-3P
Photo Controller
120-277V

MOUNTING OPTIONS

(SOLD SEPARATELY)



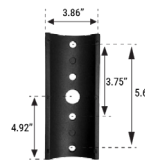
PKL2-TA-SLP
Slip-Fitter



PKL2-TB-S2P
Arm Mount



PKL2-TC-TRN
Trunnion



PKL2-TB-ADPT
Pole Adapter