

PARKING GARAGE SERIES

Parking Garage Uplight

Type:

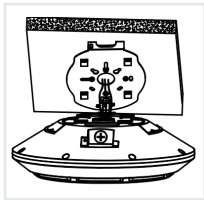
Fixture:



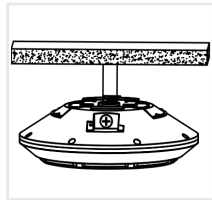
TECHNICAL DATA

| PRODUCT | PGUL-63L | PGUL-98L | PGUL-126L |
|---------------|-----------------------------------|----------|-----------|
| WATTAGE | 45W | 70W | 90W |
| LUMENS | 6300 LM | 9800 LM | 12600 LM |
| UPLIGHT | 8.9% | 11.4% | 14.8% |
| EFFICIENCY | 140 LM/W | | |
| CCT | 5000K | | |
| VOLTAGE | 120 - 277V | | |
| DIMMING | 1 - 10V | | |
| CRI | 70 | | |
| POWER FACTOR | 0.9 | | |
| WORKING TEMP. | -22°F ~ 104°F | | |
| FINISH | DARK BRONZE, BLACK, WHITE, SILVER | | |

MOUNTING OPTION



Surface Mounted
with J-box



Pendant

DESCRIPTION

The Parking Garage Uplight has a cast aluminum design aiding in better cooling and light quality and light quality. The optical lens is made of high quality PC material to make the light even and soft. The die cast heat sink transfers heat from the light engine to the environment, via large cooling fins, drawing heat away from the fixture, and extending the lifespan of the LEDs. The Parking Garage Uplight also contains a certain proportion of upward light to satisfy the visual effect.

INTENDED USE

Our Parking Garage series is widely used for indoor and outdoor applications, including wet locations. The Parking Garage Uplight is excellent for museums, art galleries, shopping malls, parking garages, and many more applications.



ORDERING INFORMATION

STANDARD ITEM: **PGUL-63L-50K-W**

OR CUSTOMIZE BELOW:

| | | | | | | |
|----------------------------------------|---|---------------------------------------------------------------------------------------------|---|----------------------|---|----------------------------------------------------------------------------------------------|
| [] | - | [] | - | [] | - | [] |
| Series | | Lumen Package | | CCT | | Finish |
| PGUL - (Parking Garage Uplight) | | 63L - (6300 lm, 45W) 98L - (9800 lm, 70W) 126L - (12600 lm, 90W) | | 50K - (5000K) | | DB - (Dark Bronze) B - (Black) W - (White) S - (Silver) |

AVAILABLE ACCESSORIES

*SOLD SEPARATELY



MOTION SENSOR

PGUL-BR1810
The PGUL-BR1810 mounts in an outdoor lighting fixture and provides multi-level control based on motion and/or daylight contribution. It controls 0-10 VDC LED drivers or dimming ballasts, and is rated for wet and cold locations.



REMOTE (*OPTIONAL)
RC-100

PARKING GARAGE SERIES

Parking Garage Uplight

Type:

Fixture:

FEATURES

CONSTRUCTION

Shell Materials: Aluminum & PC

FINISH

Painted in a dark bronze, black, white, or a silver finish. Based in an environmentally friendly polyester coating.

OPTICS

Polycarbonate.

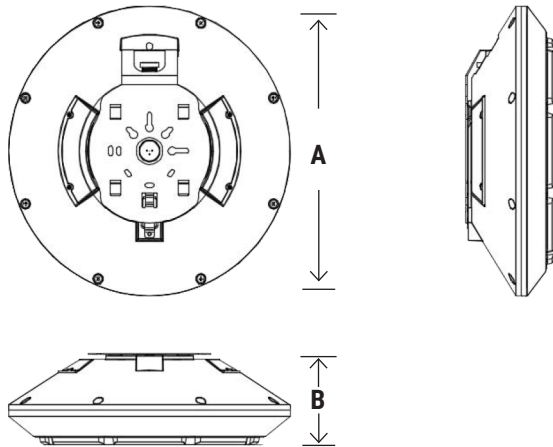
ELECTRICAL

Class 2, constant current, 120V-277V, 50-60 HZ, 0.95Amp@100V. 1-10V dimming circuit.

LISTINGS

UL certified.

DIMENSIONS



| PRODUCT | A | B |
|-----------|------------------|----------------|
| PGUL-63L | 12.6 in (320 mm) | 3.9 in (99 mm) |
| PGUL-98L | 12.6 in (320 mm) | 3.9 in (99 mm) |
| PGUL-126L | 12.6 in (320 mm) | 3.9 in (99 mm) |

PHOTOMETRICS

