

Architectural Surface Linear LED Luminaire

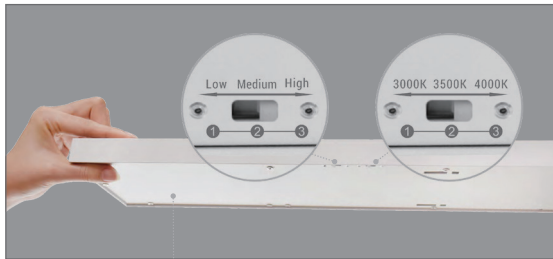
Project Name:

Fixture:



### TECHNICAL DATA

PRODUCT	LAS4-216-3CC	LAS4-432-3CC	LAS6-217-3CC	LAS6-438-3CC
WATTAGE	20W	20W/30W/40W	20W	20W/30W/40W
CCT	Color Changeable (3000K/3500K/4000K)			
SIZE	4' X 24"	4' X 48"	6' X 24"	6' X 48"
LUMENS	UP TO 1700 LM	UP TO 3400 LM	UP TO 1800 LM	UP TO 4000 LM
VOLTAGE	100V-277V			
BEAM ANGLE	110°			
CRI	>80 Ra			
EFFICACY	95 LM/W			
DIMMABLE	1-10V DIMMING			
LIFETIME (L70)	>50,000 HRS			
POWER FACTOR	>0.9			
WORKING TEMP.	-30°F ~ 122°F			



- CCT Changeable/Wattage Selectable
- Minimum ceiling space required
- Ideal for surface-mount application

### DESCRIPTION

The LAS series is an elegant surface linear fixture family designed to please wholesalers, architects, contractors and designers. Available in two lengths and apertures, it can create pleasing illumination. On select fixtures a slide switch comes standard with three selectable wattage levels and three selectable color temperatures, providing the flexibility to adapt to the changing needs of the space, setting, or environment.

### INTENDED USE

The LAS Series is ideal for illuminating office spaces, schools, hospital, corridor light industrial spaces or anywhere stylish lines of light are desired.



### ORDERING INFORMATION

STANDARD ITEM: **LAS4-432-CC**

OR CUSTOMIZE BELOW:

Series	Size	CCT
<b>LAS4 -</b> (4" Surface Mount Linear Architectural Luminaire)	<b>216 - 2' / up to 1700 lm (20W)*</b> <b>432 - 4' / up to 3400 lm (Wattage Selectable - 20W, 30W, 40W)</b>	<b>CC - (3 Color Changeable)</b> (3000K, 3500K, 4000K)
<b>LAS6 -</b> (6" Surface Mount Linear Architectural Luminaire)	<b>217 - 2' / up to 1800 lm (20W)*</b> <b>432 - 4' / up to 4000 lm (Wattage Selectable - 20W, 30W, 40W)</b>	

\*Customized Product. May cause additional lead time.

## Architectural Surface Linear LED Luminaire

Project Name:

Fixture:

### FEATURES

#### CONSTRUCTION

Cast-aluminum extruded housing with precision welded corners for a sleek appearance.

#### FINISH

White powder-coated finish.

#### OPTICS

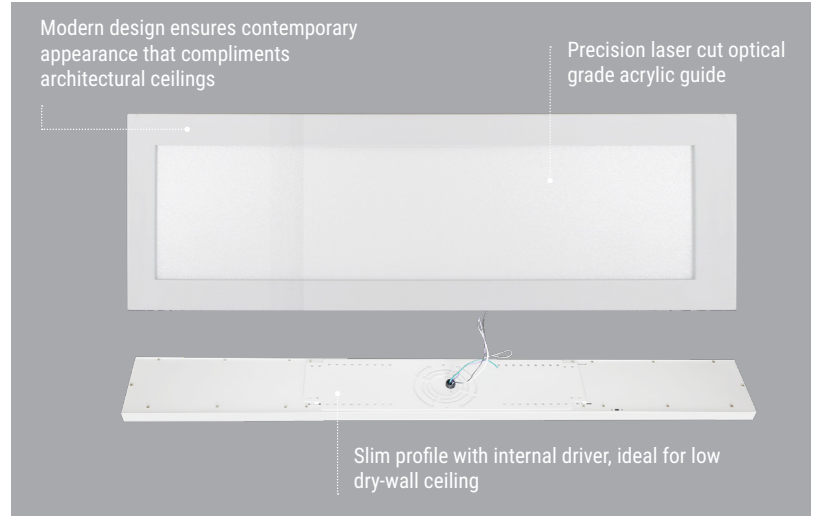
Precision laser cut optical grade acrylic guide provides uniformed edge-lit lighting distribution.

#### ELECTRICAL

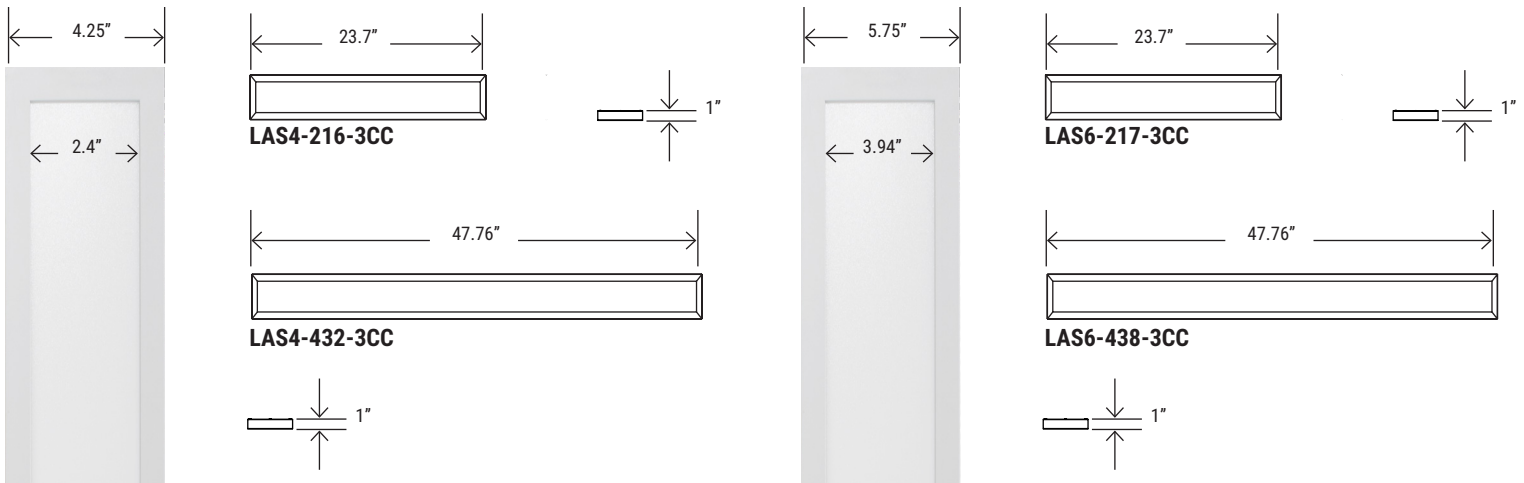
Universal input voltage: 100V-277VAC. Standard Class 2 isolated drivers with 1-10V dimming.

#### LISTINGS

UL certified. Photometrics available upon request.



### DIMENSION



MODEL	DIMENSION	WATTAGE	LUMEN OUTPUT		
			3000K	3500K	4000K
LAS4-216	4'X24"	20W	1500 LM	1700 LM	1600 LM
LAS6-217	6'X24"	20W	1600 LM	1800 LM	1700 LM
LAS4-432	4'X48"	20W	1500 LM	1700 LM	1600 LM
		30W	2250 LM	2550 LM	2400 LM
		40W	3000 LM	3400 LM	3200 LM
LAS6-438	6'X48"	20W	1800 LM	2000 LM	1900 LM
		30W	2700 LM	3000 LM	2850 LM
		40W	3600 LM	4000 LM	3800 LM