

# FLOOD LIGHT SERIES

## High Powered Flood Light



Type:

Fixture:

### TECHNICAL DATA

PRODUCT	FLH-21L	FLH-29L
WATTAGE	150W	200W
LUMENS	21929 LM	29769 LM
EFFICACY	146 LM/W	148 LM/W
CCT	5000K	
VOLTAGE	120 - 277V	
DIMMING	1 - 10V	
CRI	70	
DRIVER	SOSEN POWER	
POWER FACTOR	.99	
WORKING TEMP.	-22°F ~ 113°F	

### MOUNTING OPTIONS



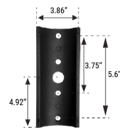
**FLH-TA-SLP**  
Slip-Fitter



**FLH-TB-S2P**  
Arm Mount



**FLH-TC-TRN**  
Trunnion



**PKL2-TB-ADPT**  
Pole Adapter

### DESCRIPTION

The high powered Flood Light is wrapped in a cast aluminum that aids in better cooling and light quality. This product features a high efficiency LED driver furthering the product work life. The optical design also greatly improves the light utilization and evenness.

### INTENDED USE

Our Flood Light series is widely used for both indoor and outdoor applications, even in wet locations. The Flood Light is excellent for underground parking lots, museums, art galleries, side walks, schools, residential areas, & many more.



### ORDERING INFORMATION

STANDARD ITEM: **FLH-21L-50K-DB**

OR CUSTOMIZE BELOW:

[ ]	-	[ ]	-	[ ]	-	[ ]
Series		Lumen Package		CCT		Finish
<b>FLH</b> - (High Powered Flood Light)		<b>21L</b> - (21929 lm, 150W) <b>29L</b> - (29769 lm, 200W)		<b>50K</b> - (5000K)		<b>DB</b> - (Dark Bronze) <b>RAL</b> - (*Custom Color)

### MOUNTING ACCESSORIES

\*SOLD SEPARATELY



Adapter

**FLH-PHOTO-ADP**  
Photocell & Adapter

Used for indoor or outdoor LED lamps, working with light sensing principle, the LC-10DT Sensor (LC-10DT for 120 - 277C) is used for light sensor



Photocell

# FLOOD LIGHT SERIES

## High Powered Flood Light

Type:

Fixture:

### FEATURES

#### CONSTRUCTION

Shell materials: Aluminum & PC.

#### FINISH

Dark bronze polyester coating. RAL custom color available, call our sales representative for more information.

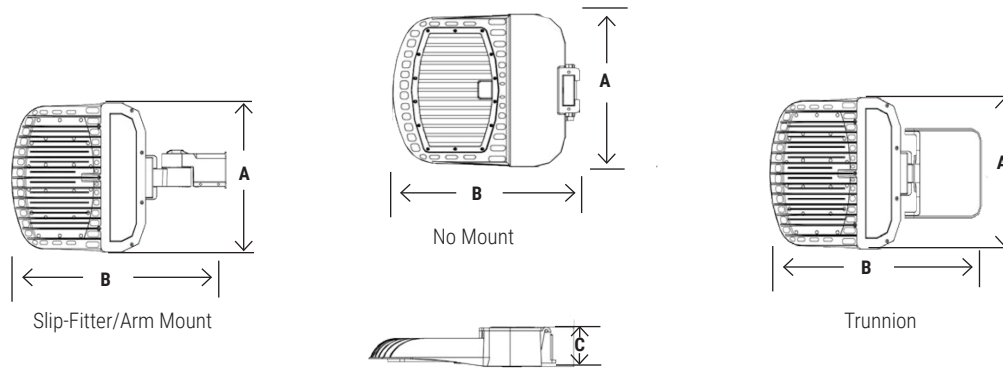
#### ELECTRICAL

Class 2, constant current, 120V-277V, 50-60 HZ, 0.95Amp@100V. 1-10V dimming circuit.

#### LISTINGS

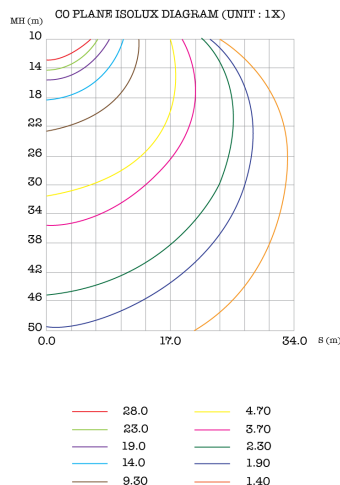
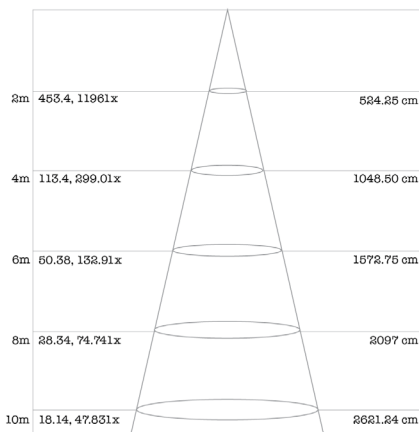
UL certified. IP66 listing.

### DIMENSIONS



MOUNTING OPTION	A	B	C
No Mount	12.7 in (322mm)	14.6 in (371mm)	3.2 in (83mm)
Slipfitter/Arm Mount	12.7 in (322mm)	21.5 in (546mm)	3.76 in (95mm)
Trunion	12.7 in (322mm)	21.8 in (553mm)	3.6 in (91mm)

### PHOTOMETRICS



LUMINOUS INTENSITY DISTRIBUTION DIAGRAM

