

ENGAGE SERIES

Backlit Volumetric Panel

Type:

Fixture:

TECHNICAL DATA

PRODUCT	ENP-14	ENP-22	ENP-24
SIZE	1X4	2X2	2X4
WATTAGE	25W/30W/35W		30W/40W/50W
LUMENS	2750LM/3300LM/3850LM		3300LM/4400LM/5500LM
EFFICACY	UP TO 110LM/W		
VOLTAGE	110-277V		
RATING	Damp Location		
CCT	3500K/4000K/5000K		
CONTROL	0-10V		
LIFETIME	L70 > 56000 HOURS		
OPERATION TEMP.	-4°F ~ 104°F		

DESCRIPTION

Engage is designed to deliver uniformity backlit volumetric illumination with a compact yet sturdy construction featuring a low profile form factor designed to blend into modern architectural spaces and for buildings with a low plenum space.

INTENDED USE

Engage series delivers uniformed for applications such as offices, schools, retail locations and hospitals.



ORDERING INFORMATION

[]	-	[]	-	[]	-	[]	-	[]	-	[]	
Series		Size		Lumen Package		Voltage		CCT		Control	EM Option*
ENP - (Engage Volumetric Panel)		14 - (1'X4')		39LC - (Lumen Changeable)		U - 110-277V		CC - (3500K/4000K/5000K)		C1 - (0-10V)	EM1 - (Field installed 12W inverter) EM2 - (Factory installed 8W driver)
		22 - (2'X2')									
		24 - (2'X4')		55LC - (Lumen Changeable)							

*Additional cost and/or lead time on customized fixtures may apply. Please contact your sales rep for more information.

ENGAGE SERIES

Backlit Volumetric Panel

Type:

Fixture:

CONSTRUCTION

Rugged, cold-rolled steel fabrication with embossed facets. Smooth hemmed side and smooth inward-formed end flanges for easy handling

FINISH

Polyester coated finish in white, painted after fabrication with embossed facets

OPTICS

Precision formed volumetric acrylic lens provides wide and visual comfortable luminous

ELECTRICAL

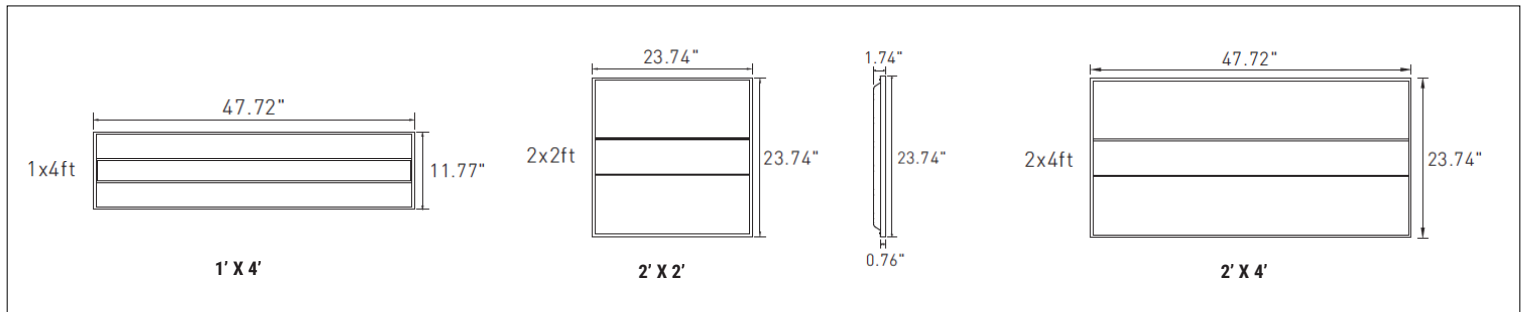
Long-life LEDs with standard 3500K/4000K/5000K field changeable, coupled with 110-277Vac driver that can adjust output lumen with 0-10V dimming (10%)

LISTINGS

UL IC rated, DLC 5.1, Damp location rated. FCC Listed.

DLC Listed	
ENP-14	S-Y0F3X7
ENP-22	S-IGZDHB
ENP-24	S-8MUNB3

DIMENSIONS



OPTIONAL ACCESSORIES & OPTIONS



WP-CEP-12C-200VPE1(EM1)
12W Inverter (Field Installed)



(EM2)
8W Driver (Factory Installed)



OMNIIRBP127
Line Voltage PIR Sensor,
450sq. (Field Installed)



OMNIIRLBP127
Line Voltage PIR Sensor,
1500sq. (Field Installed)



1 X 4 • HRK14
2 X 2 • HRK22
2 X 4 • HRK24
Horizon Mount Kit



1 X 4 • BP-CMKW-1X4
2 X 2 • BP-CMKW-2X2
2 X 4 • BP-CMKW-2X4
Ceiling Mount Kit



1 X 4 • BP-RMKW-1X4
2 X 2 • BP-RMKW-2X2
2 X 4 • BP-RMKW-2X4
Recessed Mount Kit