

BP-EMB-8W

Emergency LED Driver

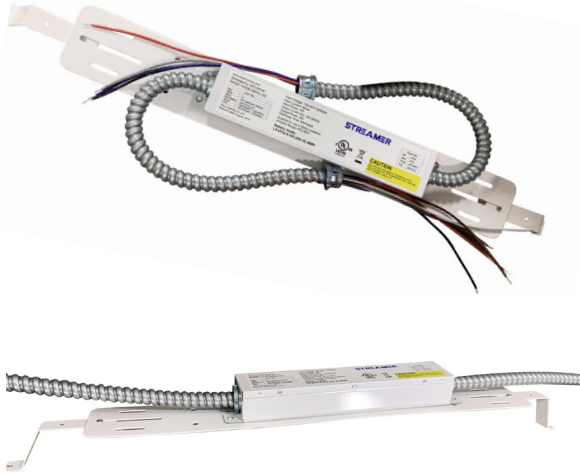
SKU No:

Type:

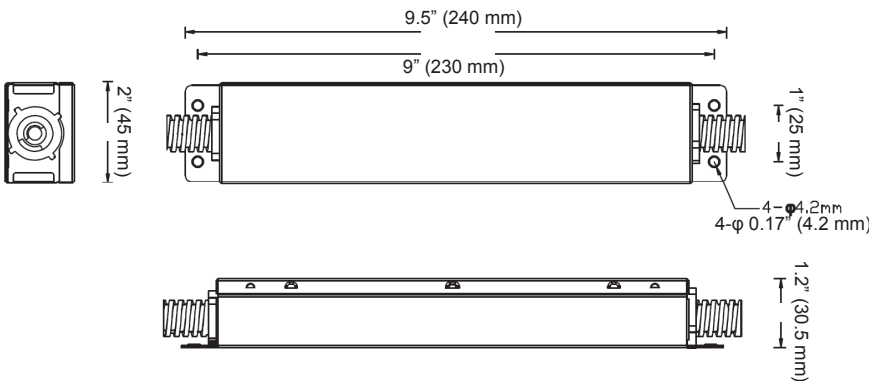
Date:

ACCESSORY FOR INTERIOR PANEL LIGHTS

TECHNICAL DATA



PRODUCT	BP-EMB-8W
INPUT VOLTAGE	100 - 277Vac 50-60Hz
INPUT CURRENT	80mA Max@100VAC
POWER FACTOR	0.70@100VAC
INPUT PASS THROUGH	3A Max
OUTPUT PASS THROUGH	50V 3A Max
CHARGE TIME	24 Hours
EMERGENCY TIME	90 Minutes
CHARGE CURRENT	0-220mA
CHARGE VOLTAGE LIMIT	7.4V
BATTERY TYPE	LiFePO4 6.4V 3.2Ah
BATTERY CELLS TYPE	LiFePO4 3.2V 3.2Ah IFR26650
OUTPUT VOLTAGE RANGE	DC15-50V
OUTPUT POWER	8W (7-8.5W) Constant Power



FEATURES

- Maintained and Non-Maintained Emergency Mode.
- Separate Emergency Inverter and Battery.
- Suited for inside lighting fixture installation.
- Extra Relay, Control Normal LED Driver.
- Used with LiFePO4 Battery Pack.
- UL Listed Certificate.

