

AREA LIGHT SERIES

ABL Barnlight

Type:

Fixture:



TECHNICAL DATA

PRODUCT	ABL-62L	ABL-88L	ABL-120L
WATTAGE	45W	65W	90W
LUMENS	6200 LM	8800 LM	12000 LM
EFFICACY	UP TO 138LM/W		
VOLTAGE	100-277V		
CCT	4000K*, 5000K		
DISTRIBUTION	TYPE V		
EPA	0.17 SQ/FT		
CRI	>70		
THD	>20%		
POWER FACTOR	>0.9		
TEMPERATURE	-40F – 104F		
FINISH	SILVER GRAY, DARK BRONZE		

DESCRIPTION

The ABL Series luminaires offer traditional Dusk to Dawn features with softened edges for a versatile look that complements many applications. Its durable weatherproof die cast aluminum housing will withstand harsh outdoor weather.

INTENDED USE

Ideal for barns, warehouses, loading docks, side roads, pathways or general security lighting. It easily mounts to a wall, post or onto a pole mounting arm (sold separately).



ORDERING INFORMATION

[]	-	[]	-	[]	-	[]	-	[]	-	[]
Series		Wattage		Voltage		CCT		Control		Finish
ABL - (ABL Luminaire)		62L - (6200LM, 45W)		U - (100-277V)		50K (5000K)		C1 - (NEMA 3 pin base with on/off twist lock photocell)		SG - (Silver Gray) DB - (Dark Bronze)
		88L - (8800LM, 65W)								
		120L - (12000LM, 90W)								

*Additional cost and/or lead time on customized fixtures may apply.

ACCESSORIES

Sold Separately



ABL-ARM*
MOUNTING ARM KIT
for Pole Mounting
(optional)

AREA LIGHT SERIES

ABL Barnlight

Type:

Fixture:

CONSTRUCTION

Die-cast aluminum housing with an impact-resistant acrylic drop lens diffuser. The luminaire is sealed against moisture and environmental contaminants.

FINISH

Exterior parts are protected by a powder-coat for superior resistance to weathering. Available in Silver Gray, Dark Bronze

ELECTRICAL

120-277Vac input, 50/60Hz operation with standard 3 pin NEMA base and Twist-Lock Photocell included.

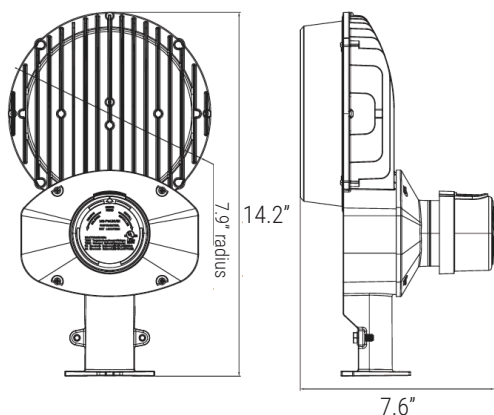
LISTINGS

UL certified. FCC.

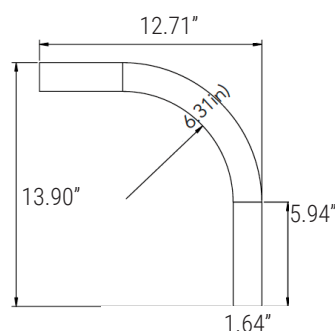
MOUNTING

2-3/8" & 1-5/8" OD mast arms and direct wall/surface mounting

DIMENSIONS



ARM SOLD SEPARATELY



WEIGHT

45W	65W	90W
4.6lb	4.8lb	5.1lb

ELECTRICAL LOAD

WATTAGE	CURRENT (A)			
	120V	208V	240V	277V
45W	0.38	0.22	0.19	0.16
65W	0.54	0.31	0.27	0.23
90W	0.75	0.43	0.38	0.32

REPLACEMENT DATA

LUMEN PACKAGE	WATTAGE	REPLACEMENT	MOUNTING HEIGHT
6200 LM	45W	175W MH	8'-15'
8800 LM	65W	200W MH	8'-15'
12000 LM	90W	250W MH	12-20'

ACCESSORIES



3 PIN ON/OFF PHOTOCELL
Included



MOUNTING ARM KIT
for Pole Mounting
(optional)
Sold Separately