

# LED WALL SCONCE

WS15W3K



## INSTALLATION MANUAL



### PACKAGE CONTENTS

| PART | DESCRIPTION             | QTY |
|------|-------------------------|-----|
| --   | LED Wall Sconce Fixture | 1   |
| A    | Mounting bracket        | 1   |
| B    | Mounting Screws         | 2   |
| C    | Outlet box screws       | 2   |
| D    | Wire nuts               | 3   |

### SAFETY INFORMATION

**PLEASE READ AND UNDERSTAND THIS ENTIRE MANUAL BEFORE ATTEMPTING TO ASSEMBLE, OPERATE OR INSTALL THE PRODUCT.**

### SAFETY INFORMATION

- Turn off electricity at main fuse box (or circuit breaker box) before beginning installation by removing fuse or switching off circuit breaker.
- Be careful not to damage or cut the wire insulation (covering) during fixture installation. Do not permit wires to contact any surface having a sharp edge. To do so may damage or cut the wire insulation, which could cause serious injury or death from electric shock.
- LED electronics can be damaged by electro static discharge (ESD) shock. Before installation, discharge yourself by touching a grounded bare metal surface to remove this hazard. To avoid damage, do not touch the LED module.

### CAUTION:

- All electrical connections must be in agreement with local codes, ordinances or the national electric code (NEC).
- Contact your municipal building department to learn about your local codes, permits and/or inspections.
- **RISK OF FIRE** – most dwellings built before 1985 have supply wire rated for 140°F/60°C. Consult a qualified electrician before installation.
- Do not connect this fixture to an electrical system that does not provide a means for equipment grounding. Never use a fixture in a two-wire system that is not grounded. If you are not sure your lighting system has a grounding means, do not attempt to install this fixture. Contact a qualified, licensed electrician for information with regards to proper grounding methods as required by the local electrical code in your area.
- If a dimmer control switch is used with this fixture, obtain professional advice to determine the correct type and electrical rating required.

### PRE-INSTALLATION

- BEFORE BEGINNING ASSEMBLY, INSTALLATION OR OPERATION OF PRODUCT, MAKE SURE ALL PARTS ARE PRESENT.
- COMPARE PARTS WITH PACKAGE CONTENTS LIST AND DIAGRAM ON PREVIOUS PAGE. IF ANY PART IS MISSING OR DAMAGED, DO NOT ATTEMPT TO ASSEMBLE, INSTALL OR OPERATE THE PRODUCT. CONTACT CUSTOMER SERVICE FOR REPLACEMENT PARTS.
- TOOLS REQUIRED FOR ASSEMBLY (NOT INCLUDED): SCREWDRIVER, PHILLIPS SCREWDRIVER, PLIERS, ELECTRICAL TAPE, WIRE CUTTERS, SAFETY GLASSES, LADDER, WIRE STRIPPER.

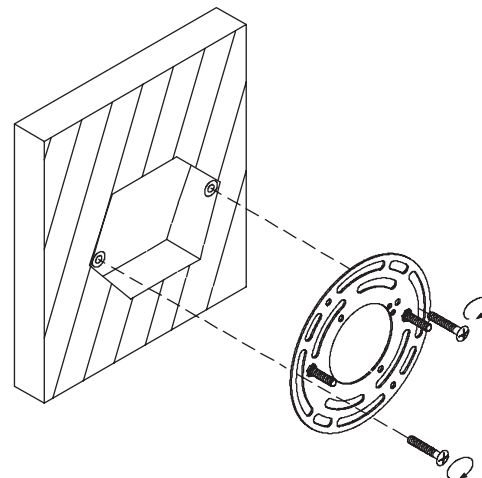
## ASSEMBLY INSTRUCTIONS

- NON-REPLACEABLE LED'S.
- IF YOU ARE NOT FAMILIAR WITH THE STATE AND LOCAL CODES, IT IS RECOMMENDED THAT YOU CONSULT WITH A QUALIFIED ELECTRICIAN.
- SUITABLE FOR DAMP LOCATION, USE INDOORS ONLY.
- CAUTION: LED'S EMITS BRIGHT LIGHT. AVOID LOOKING DIRECTLY INTO THE LIGHT SOURCE FOR LONG PERIODS TO AVOID EYE DAMAGE.
- DIMMABLE (SOLD SEPARATELY).
- 120V FOR RESIDENTIAL USE.

## INSTALLATION ( TO AVOID RISK OF ELECTRIC SHOCK, MAKE SURE TO TURN OFF MAIN POWER SWITCH PRIOR TO INSTALLATION OR MAINTENANCE)

### STEP 1

Use 2 pieces of umbrella head screws in the accessory bag to fix the installation plate onto the junction box;



STEP 1

### DIMMING COMPATIBLE CONTROLS

| LUTRON    | LEVITON   |
|-----------|-----------|
| SCL-153P  | IPM10-1LZ |
| TGCL-153P |           |
| DV-603P   |           |
| PD-6WCL   |           |
| MACL-153M |           |
| AY-600P   |           |

# INSTALLATION MANUAL

## INSTALLATION (CONTINUATION)

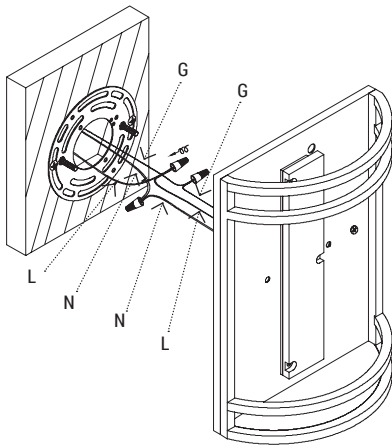
**STEP 2** → **STEP 3** → **STEP 4**

**ELECTRICAL CONNECTIONS**  
 Complete the wiring to the power source and ground using minimum rated wire, connectors in the accessory bag. Put the electrical connections in the junction box.

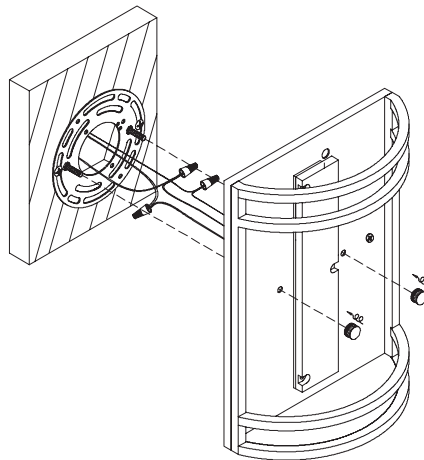
**STEP 3**  
 Use nuts to lock the fixture onto the installation plate.

**STEP 4**  
 Insert the glass diffuser inside the fixture.

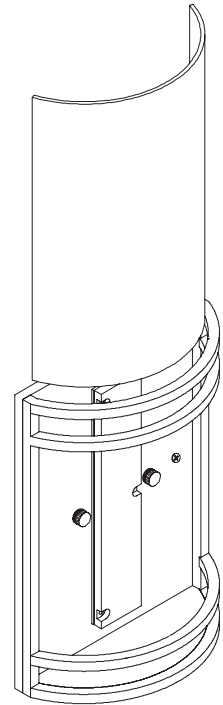
- A. Connect the black wire from the fixture to the voltage supply wire;
- B. Connect the white wire from the fixture to the neutral supply wire;
- C. Connect the ground wire from the fixture to the ground wire.



STEP 2



STEP 3



STEP 4

### CARE AND MAINTENANCE

**CAUTION:** Before attempting to clean the fixture, disconnect the power to the fixture by turning the breaker off or removing the fuse from the fuse box. This LED light fixture is made from quality materials that will last many years with minimum care and maintenance. You may want to clean the fixture with a soft cloth periodically. To maintain the best appearance of the fixture, do not use cleaners with chemicals, solvents or harsh abrasives. Do not use liquid cleaner on the LEDs, LED driver, or wiring inside the light fixture.

### TROUBLE SHOOTING

| PROBLEM                 | POSSIBLE CAUSE   | SOLUTION   |
|-------------------------|--|--|
| Light will not come on  | A. Fixture not properly connected.<br>B. Light bulbs not working.<br>C. Fixture not receiving power. | A. Check wires to ensure proper connections.<br>B. Check to make sure breaker is on and test another working electrical device to make sure it is receiving power. |
| Cable does not connect. | Correct end of cable not matched with correct end of light.  | Check markings on cable and light to ensure proper pairing.  |

**READ ALL INSTRUCTIONS. SAVE THESE INSTRUCTIONS**