

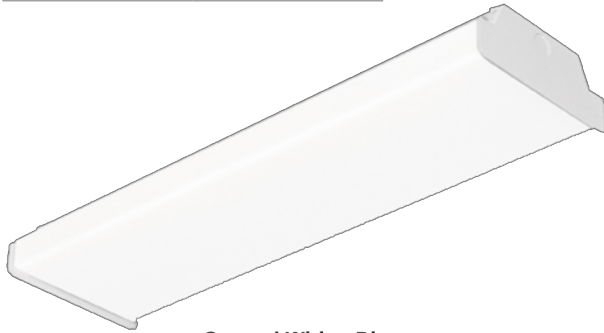
# WRAPAROUND SERIES

## WRAPAROUND LUMINAIRE

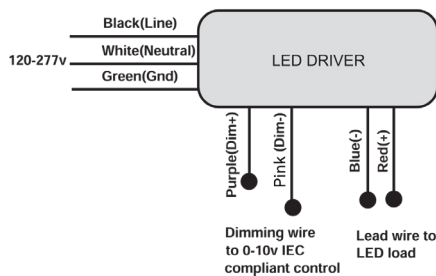


### INSTALLATION MANUAL

PRODUCT PARAMETER	
INPUT VOLTAGE	120 - 277V
DRIVER	SIMON POWER
MATERIAL	STEEL BODY



#### General Wiring Diagram



#### SAFETY INFORMATION

**BE SURE THE POWER IS OFF! RISK OF ELECTRICAL SHOCK:** Always use the switch to power off. Do not perform any operations while this unit is powered on. The electrical system you want to connect the device to must be grounded. Read the instructions before using or powering this device. The safety instructions must remain with the unit in case of transfer. Any damage to the device linked to an inappropriate use is excluded from support by the warranty. Before connecting, make sure that the current and voltage are compatible with this device. We highly recommend that all installations are made by QUALIFIED ELECTRICIAN. We are NOT responsible by any means for the use or misuse of the following information. We are NOT responsible in whole or part for any harm or damage that may or may not be caused. We reserve the right to revise the components of any product, due to part availability or change ETL, CUL, UL standards without assuming any obligation or liability to modify any products previously manufactured and without notice. These instructions do not cover all details of variations in equipment, nor do they provide every possible contingency to be met. Turn off / unplug power when installing or service device.

#### WARNING

**WARNING:** Read all safety precautions and installation instructions carefully before installing or servicing this fixture. Failure to comply with these instructions could result in a potentially fatal electric shock, fire, and/or property damage.

- To reduce the risk of death, personal injury or property damage from fire, electric shock, falling parts, cuts/abrasions, and other hazards read all warnings and instructions included with and on the fixture box and all fixture labels
- Before installing, servicing, or performing routine maintenance upon this equipment, follow these general precautions
- Commercial Installation, service and maintenance of luminaires should be performed by a qualified licensed electrician
- For the installation: If you are unsure about the installation or maintenance of the luminaires, consult a qualified licensed electrician and check your local electrical code
- To prevent wiring damage or abrasion, do not expose wiring to edges of sheet metal or other sharp objects
- Do not make or alter any open holes in an enclosure of wiring or electrical components during the kit installation
- Turn off electrical power at fuse or circuit breaker before wiring fixture to the power supply
- Verify that supply voltage is correct by comparing it with the luminaire label information

#### FCC WARNING

**WARNING:** Changes or modifications to this unit not expressly approved by the party responsible for compliance could void the user authority to operate the equipment.

**NOTES:** This equipment has been tested and found to comply with the limits for a Class B digital device, pursuant to Part 15 of the FCC Rules. These limits are designed to provide reasonable protection against harmful interference in a residential installation. This equipment generates, uses and can radiate radio frequency energy and, if not installed and used in accordance with the instructions, may cause harmful interference to radio communications.

However, there is no guarantee that interference will not occur in a particular installation. If this equipment does cause harmful interference to radio or television reception, which can be determined by turning the equipment off and on, the user is encouraged to try to correct the interference by one or more of the following measures:

- **Reorient or relocate the receiving antenna.**
- **Increase the separation between the equipment and receiver.**
- **Connect the equipment into an outlet on a circuit different from that to which the receiver is connected.**
- **Consult the dealer or an experienced radio/TV technician for help.**

#### PRE - INSTALLATION

- Carefully remove the fixture from the carton.
- Before beginning assembly, installation, or operation of product, make sure all parts are present. Compare parts with package contents list and diagram on previous page. If any part is missing or damaged, do not attempt to assemble, install or operate the product. Contact customer service for replacement parts.
- Tools required for assembly (Not Included): screwdriver, phillips screwdriver, pliers, electrical tape, wire cutters, safety glasses, ladder, wire stripper.

#### SURFACE MOUNT INSTALLATION (Caution: Before beginning installation turn off the circuit breaker and light switch)

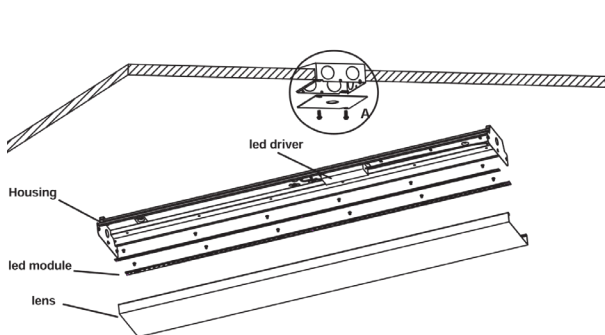


Figure 1  
Concealed outlet box

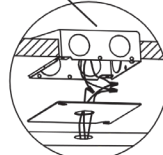
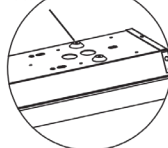


Figure 2  
Knock-off holes



1. Remove the product from the packaging.
2. Remove the lens by pulling from one side of the fixture and hinge on the other
3. For mounting, using the provided mounting holes on each end of the fixture housing.
4. Follow electrical codes when establishing connections.
5. Install the channel cover.
6. Install lens on one side of the fixture and rotate to engage the opposite side.

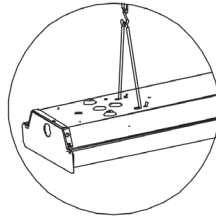
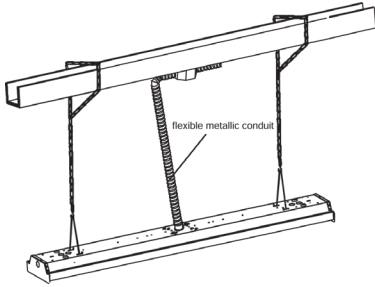
# WRAPAROUND SERIES

## WRAPAROUND LUMINAIRE



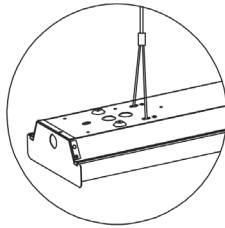
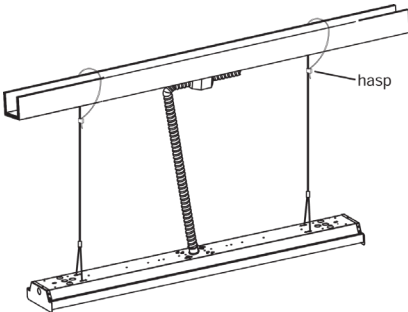
### INSTALLATION MANUAL

#### CHAIN MOUNT INSTALLATION (Caution: Before beginning installation turn off the circuit breaker and light switch)



1. Remove product from packaging.
2. Remove lens by pulling from one side of the fixture and hinge on the other.
3. For mounting, using the provided mounting holes on each end of the fixture housing.
4. Follow electrical code when establishing a connection
5. Install channel cover.
6. Install lens on one side of the fixture and rotate to engage the opposite side.

#### CABLE MOUNT INSTALLATION (Caution: Before beginning installation turn off the circuit breaker and light switch)



1. Remove product from packaging.
2. Remove lens by pulling from one side of the fixture and hinge on the other.
3. For mounting, mount the cable to the luminaire. Twine the one end of the cable to the beam, then insert it into the hasp, adjust that cable to the desired height
4. Follow electrical code when establishing a connection & wire to the main power

#### TROUBLE SHOOTING

PROBLEM	POSSIBLE CAUSE	SOLUTION
Light will not come on	A. Light switch is turned off. B. Fuse is blown or circuit breaker is turned off. C. Incorrect circuit wiring	A. Turn light switch on B. Replace fuse or turn circuit breaker on C. Verify that fixture is wired properly

#### CARE AND MAINTENANCE

**CAUTION:** Before attempting to clean the fixture, disconnect the power to the fixture by turning the breaker off or removing the fuse from the fuse box. This LED light fixture is made from quality materials that will last many years with minimum care and maintenance. You may want to clean the fixture with a soft cloth periodically. To maintain the best appearance of the fixture, do not use cleaners with chemicals, solvents or harsh abrasives. Do not use liquid cleaner on the LEDs, LED driver, or wiring inside the light fixture.

#### CAUTION

- Avoid direct eye exposure to the light source while it is on
- Account for small parts and destroy packing material, as these may be hazardous to children
- Risk of getting burn. Disconnect power and allow fixture to cool before changing bulb or handing fixture

**NOTICE:** Green ground screw provided in proper location. Do not relocate.

**NOTICE:** Minimum 90° supply conductors.

**NOTICE:** Specifications and dimensions subject to change without notice.

**NOTICE:** Suitable for dry and damp locations.