

INSTALLATION MANUAL



FCC WARNING:

WARNING: Changes or modifications to this unit not expressly approved by the party responsible for compliance could void the user authority to operate the equipment.

NOTES: This equipment has been tested and found to comply with the limits for a Class B digital device, pursuant to Part 15 of the FCC Rules. These limits are designed to provide reasonable protection against harmful interference in a residential installation. This equipment generates, uses and can radiate radio frequency energy and, if not installed and used in accordance with the instructions, may cause harmful interference to radio communications.

However, there is no guarantee that interference will not occur in a particular installation. If this equipment does cause harmful interference to radio or television reception, which can be determined by turning the equipment off and on, the user is encouraged to try to correct the interference by one or more of the following measures:

- Reorient or relocate the receiving antenna.
- Increase the separation between the equipment and receiver.
- Connect the equipment into an outlet on a circuit different from that to which the receiver is connected.
- Consult the dealer or an experienced radio/TV technician for help.

ASSEMBLY INSTRUCTIONS

- NON-REPLACEABLE LEADS.
- IF YOU ARE NOT FAMILIAR WITH STATE AND LOCAL ELECTRICAL CODES, IT IS RECOMMENDED THAT YOU CONSULT WITH A QUALIFIED ELECTRICIAN.
- DO NOT USE IN WET LOCATIONS, USE IndoORS ONLY.
- **CAUTION:** LEADS EMIT BRIGHT LIGHT. AVOID LOOKING DIRECTLY INTO THE LIGHT SOURCE FOR PROLONGED PERIODS TO AVOID EYE DAMAGE.
- DIMMABLE WITH 0-10V DIMMER (SOLD SEPARATELY).
- MULTI-VOLT (100-277 VOLT) FOR COMMERCIAL OR RESIDENTIAL USE.

INSTALLATION (CAUTION: BEFORE BEGINNING INSTALLATION TURN OFF THE CIRCUIT BREAKER AND LIGHT SWITCH.)

1. Make sure the T-bars have been fixed in the ceiling like the picture show (T-bars are not included).
2. Put the troffer upon the ceiling by leaning to one side, and the lower side of the troffer touches the T-bar.
3. Remove the set screw (Part AA) to open the driver enclosure cover (Part BB) using a screwdriver enclosure.
4. Remove one of the knockouts (Part CC) on the driver (Part EE) by using a screwdriver (Part DD).
5. Connect wires from a power source to the fixture.

NOTE: ALL WIRES PASS THROUGH THE KNOCKOUT

- Connect the HOT wire (black) from the power source to the wiring terminal marked "AC-L"
- Connect the NEUTRAL wire (white) from the power source to the wiring terminal marked "AC-N"
- Connect the GROUND wire (green/yellow) from the power source to the driver house.

To connect a dimmer:

- Connect the PURPLE wire to the wiring terminal marked "DIM+".
- Connect the GREY wire to the wiring terminal marked "DIM-".

6. Close and secure the enclosure cover (Part BB) using the set screw (Part AA).
7. *Optional* Correlated color temperature (CCT).
Turn the switch to the position of 3000K, 4000K or 5000K to select the correlated color temperature (CCT).
8. Secure the fixture light to T-bars (grid) and bend all four built-in integral clips (Part FF) outwards to engage the T-bar.

SAFETY INFORMATION

PLEASE READ AND UNDERSTAND THIS ENTIRE MANUAL BEFORE ATTEMPTING TO ASSEMBLE, OPERATE OR INSTALL THE PRODUCT.

WARNING

- Turn off electricity at main fuse box (or circuit breaker box) before beginning installation by removing fuse or switching off circuit breaker.
- Be careful not to damage or cut the wire insulation (covering) during fixture installation. Do not permit wires to contact any surface having a sharp edge. To do so may damage or cut the wire insulation, which could cause serious injury or death from electric shock.
- LED electronics can be damaged by electro static discharge (ESD) shock. Before installation, discharge yourself by touching a grounded bare metal surface to remove this hazard. To avoid damage, do not touch the LED module.

CAUTION:

- All electrical connections must be in agreement with local codes, ordinances or the national electric code (NEC).
- Contact your municipal building department to learn about your local codes, permits and/or inspections.
- RISK OF FIRE – most dwellings built before 1985 have supply wire rated for 140°F/60°C. Consult a qualified electrician before installation.
- Do not connect this fixture to an electrical system that does not provide a means for equipment grounding. Never use a fixture in a two-wire system that is not grounded. If you are not sure your lighting system has a grounding means, do not attempt to install this fixture. Contact a qualified, licensed electrician for information with regards to proper grounding methods as required by the local electrical code in your area.
- If a dimmer control switch is used with this fixture, obtain professional advice to determine the correct type and electrical rating required.

PRE-INSTALLATION

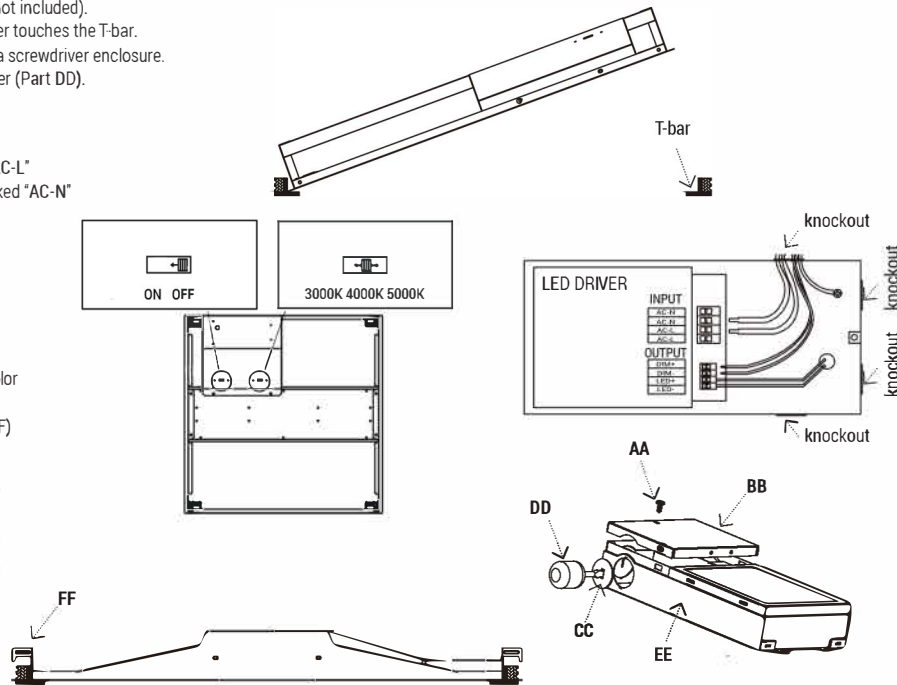
- BEFORE BEGINNING ASSEMBLY, INSTALLATION OR OPERATION OF PRODUCT, MAKE SURE ALL PARTS ARE PRESENT.
- COMPARE PARTS WITH PACKAGE CONTENTS LIST AND DIAGRAM ON PREVIOUS PAGE. IF ANY PART IS MISSING OR DAMAGED, DO NOT ATTEMPT TO ASSEMBLE, INSTALL OR OPERATE THE PRODUCT. CONTACT CUSTOMER SERVICE FOR REPLACEMENT PARTS.
- TOOLS REQUIRED FOR ASSEMBLY (NOT INCLUDED): SCREWDRIVER, PHILLIPS SCREWDRIVER, PLIERS, ELECTRICAL TAPE, WIRE CUTTERS, SAFETY GLASSES, LADDER, WIRE STRIPPER.

CARE AND MAINTENANCE

CAUTION: Before attempting to clean the fixture, disconnect the power to the fixture by turning the breaker off or removing the fuse from the fuse box. This LED light fixture is made from quality materials that will last many years with minimum care and maintenance. You may want to clean the fixture with a soft cloth periodically. To maintain the best appearance of the fixture, do not use cleaners with chemicals, solvents or harsh abrasives. Do not use liquid cleaner on the LEDs, LED driver, or wiring inside the light fixture.

TROUBLE SHOOTING

PROBLEM	POSSIBLE CAUSE	SOLUTION
Light will not come on	A. Light switch is turned off. B. Fuse is blown or circuit breaker is turned off. C. Incorrect circuit wiring.	A. Turn light switch on. B. Replace fuse or turn circuit breaker on. C. Verify that fixture is wired properly.



STR-SNSR

Color Changeable Troffer Motion Sensor

SKU No:

Type:

Date:

ACCESSORY FOR THE COLOR CHANGEABLE TROFFER



DESCRIPTION

The motion sensor is designed based on the Doppler principle, it transmits the high frequency electromagnetic wave through the antenna and receives the reflected wave. Based on this principle it judges the movement of the object within the coverage range, and control radar motion sensor.

It can turn on microwave induction function or turn off power supply automatically with sensitive function according to the ambient brightness. Microwave induction function or turn off power supply automatically with sensitive function according to the ambient brightness. Microwave can penetrate acrylic, glass or thin non-metal materials.

FEATURES

- The shell is made of flame retardant material, with fire rating of V-0
- Compared with PIR module, microwave motion sensor is better, more wide detection range, no dead area, no lens aging problem, no environment interference
- Strong anti-interference ability, it is not affected by temperature, humidity, airflow, dust, noise, brightness and other factors
- Complying with environmental requirements

APPLICATIONS

It is widely applied in motion sensor lighting, ventilating fan, security, socket. Other applications include a garage, corridor, courtyard, balcony, bathroom and many other environments that require a radar motion sensor.

BENEFITS



Distance
Customize



Various
Output Modes



Delay Time
Customize



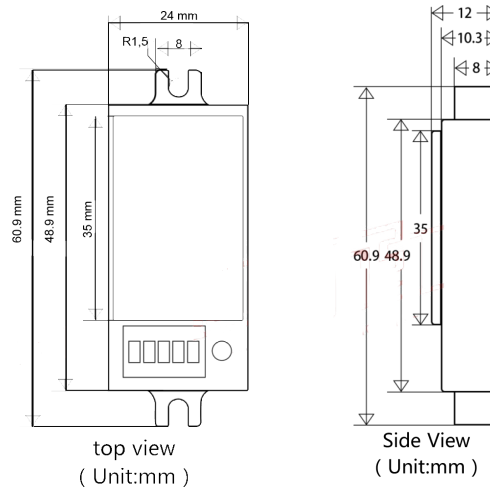
Daylight
Optional



TECHNICAL DATA

PRODUCT	STR-SNSR
POWER SUPPLY	8 - 18V
WORKING CURRENT	27mA
WORKING TEMPERATURE	13°F ~ 185°F
ANTENNA GAIN	4dB
THRESHOLD	25 Lux

DIMENSIONS



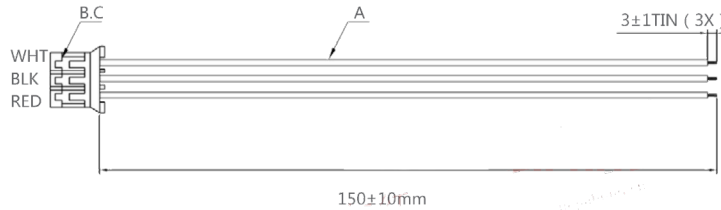
SKU No:

Type:

Date:

ACCESSORY FOR THE COLOR CHANGEABLE TROFFER

LEAD WIRE DIAGRAM



- A** UL1007 26AWG OD : 1.3mm±0.08° 300V BLACK,RED,WHITE
- B** HOUSING:PH-3Y PITCH=2.0MM WHITE 1PCS
- C** TERMINAL:PH TERMINAL TINNING 3PCS

No.	Illustrate
Red	12V
White	OUT
Black	Earth wire

DIAL SWITCH SETTINGS

1: Distance Setting	
	1
100%	ON
50%	-

According to the different application, the defect distance can be set to 100%, 50% by the dial switch.

2/3: Time Setting		
	2	3
5s	ON	ON
5min	ON	-
10min	-	ON
20min	-	-

Delay time refers to the time when the light is on after the moving object leaves the sensing area. The gears can be set as 5s, 1min, 3min, and 5min.

4: Working Mode Setting	
	5
20%-100%	ON
0%-100%	-

5: Photosensitive Threshold Setting	
	5
25Lux	ON
Disable	-

When the ambient illumination value is lower than the set valve, there is an object moving in the sensing area, and the sensor outputs a high level. Gear 25LUX