

INSTALLATION MANUAL



SAFETY INFORMATION

WARNING: Read all safety precautions and installation instructions carefully before installing or servicing this fixture. Failure to comply with these instructions could result in a potentially fatal electric shock, fire, and/or property damage.

- To reduce the risk of electric shock or other personal injury which could be hazardous or fatal, ensure power is turned OFF at the fuse or breaker box before making any electrical connections or removing the old fixture.
- Changes or modifications not expressly approved by the party responsible for compliance could void the user's authority to operate the equipment.
- Fixture may be directly mounted to the ceiling.
- Fixture should be installed by a qualified electrician or person experienced with household wiring. The electrical system, and method of electrical connection of the fixture, must be in accordance with the National Electrical Code and local building codes.

NOT INTENDED FOR USE WITH EMERGENCY EXITS
NOT SUITABLE FOR WET LOCATIONS
CONSULT A QUALIFIED ELECTRICIAN TO ENSURE CORRECT BRANCH CIRCUIT CONDUCTOR

PRE-INSTALLATION

- Turn off the electrical power at the fuse or circuit breaker box before installing or servicing any part of this fixture.
- In replacing a fixture, remove existing fixture and make a sketch of wiring configuration (by color) or mark wires with masking tape for identification.
- Remove panel light from carton and check that all parts are included. Be careful not to misplace any of the screws or parts needed for installing the fixture.

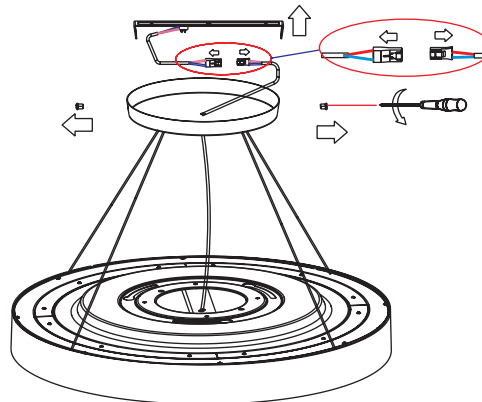
SUSPENDED MOUNT INSTALLATION

PRODUCT PARAMETER

INPUT VOLTAGE	100V-277V
DRIVER	BUILT-IN DRIVER
MATERIAL	ALUMINUM ALLOY BODY

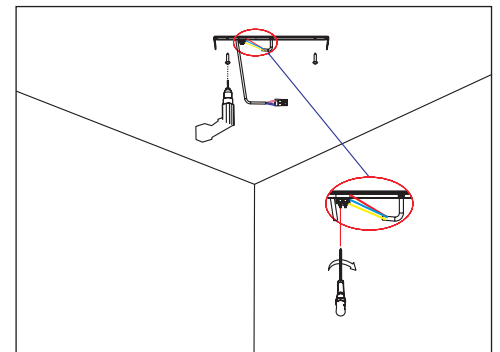
STEP 1

Loosen the cover



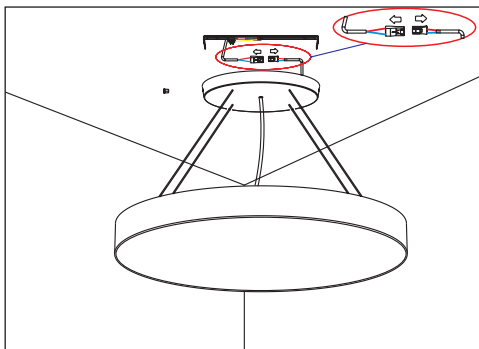
STEP 2

Mount the holder



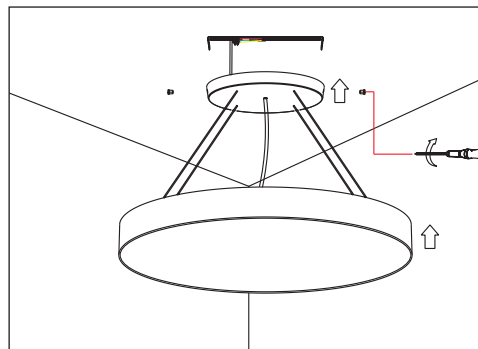
STEP 3

Connect wires



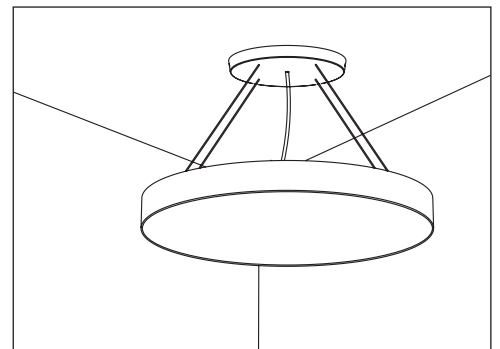
STEP 4

Install the lamp body



STEP 5

Installation complete



LED ROUND SOL

SCLR-D60-XXW / SCLR-D75-XXW / SCLR-D90-XXW

INSTALLATION MANUAL



FCC WARNING:

WARNING: Changes or modifications to this unit not expressly approved by the party responsible for compliance could void the user authority to operate the equipment.

NOTES: This equipment has been tested and found to comply with the limits for a Class B digital device, pursuant to Part 15 of the FCC Rules. These limits are designed to provide reasonable protection against harmful interference in a residential installation. This equipment generates, uses and can radiate radio frequency energy and, if not installed and used in accordance with the instructions, may cause harmful interference to radio communications.

However, there is no guarantee that interference will not occur in a particular installation. If this equipment does cause harmful interference to radio or television reception, which can be determined by turning the equipment off and on, the user is encouraged to try to correct the interference by one or more of the following measures:

- Reorient or relocate the receiving antenna.
- Increase the separation between the equipment and receiver.
- Connect the equipment into an outlet on a circuit different from that to which the receiver is connected.
- Consult the dealer or an experienced radio/TV technician for help.

PRE-INSTALLATION

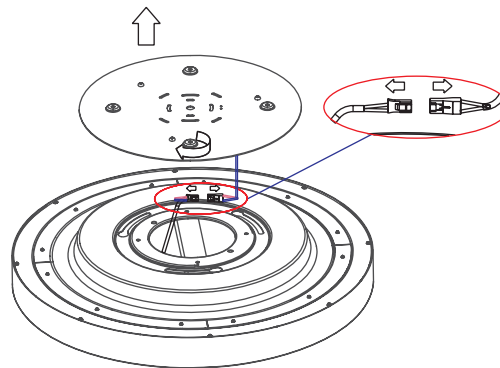
- Turn off the electrical power at the fuse or circuit breaker box before installing or servicing any part of this fixture.
- In replacing a fixture, remove existing fixture and make a sketch of wiring configuration (by color) or mark wires with masking tape for identification.
- Remove panel light from carton and check that all parts are included. Be careful not to misplace any of the screws or parts needed for installing the fixture.

CEILING MOUNT INSTALLATION

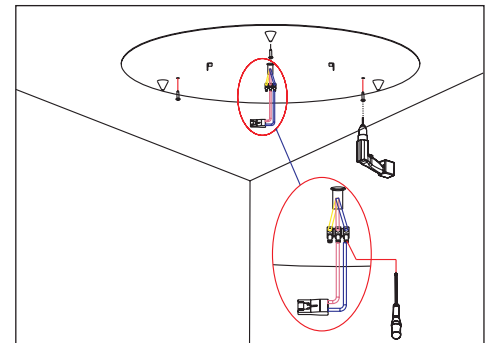
PRODUCT PARAMETER

INPUT VOLTAGE	100V-277V
DRIVER	BUILT-IN DRIVER
MATERIAL	ALUMINUM ALLOY BODY

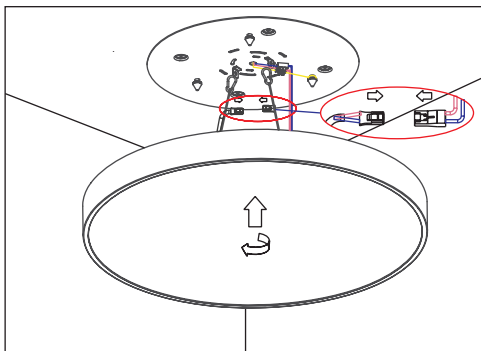
STEP 1 →
Loosen the cover



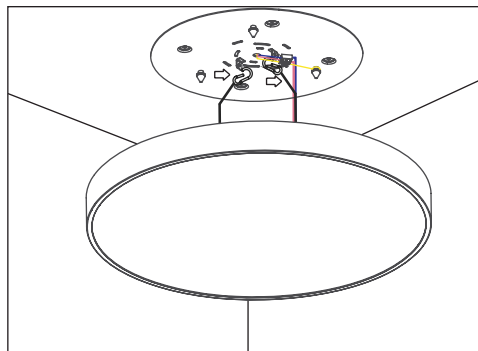
STEP 2
Mount the cover



STEP 3 →
Connect safety rope



STEP 4 →
Install the lamp body



STEP 5
Installation complete

