

LED FLUSH MOUNT

FM20W3K



INSTALLATION MANUAL



PACKAGE CONTENTS

PART	DESCRIPTION	QTY
--	LED Flush Mount Fixture	1
A	Mounting bracket	1
B	Mounting Screws	2
C	Outlet box screws	2
D	Wire nuts	3
E	NPSM nipple	1
F	Finial	1

SAFETY INFORMATION

PLEASE READ AND UNDERSTAND THIS ENTIRE MANUAL BEFORE ATTEMPTING TO ASSEMBLE, OPERATE OR INSTALL THE PRODUCT.

SAFETY INFORMATION

- Turn off electricity at main fuse box (or circuit breaker box) before beginning installation by removing fuse or switching off circuit breaker.
- Be careful not to damage or cut the wire insulation (covering) during fixture installation. Do not permit wires to contact any surface having a sharp edge. To do so may damage or cut the wire insulation, which could cause serious injury or death from electric shock.
- LED electronics can be damaged by electro static discharge (ESD) shock. Before installation, discharge yourself by touching a grounded bare metal surface to remove this hazard. To avoid damage, do not touch the LED module.

CAUTION:

- All electrical connections must be in agreement with local codes, ordinances or the national electric code (NEC).
- Contact your municipal building department to learn about your local codes, permits and/or inspections.
- **RISK OF FIRE** – most dwellings built before 1985 have supply wire rated for 140°F/60°C. Consult a qualified electrician before installation.
- Do not connect this fixture to an electrical system that does not provide a means for equipment grounding. Never use a fixture in a two-wire system that is not grounded. If you are not sure your lighting system has a grounding means, do not attempt to install this fixture. Contact a qualified, licensed electrician for information with regards to proper grounding methods as required by the local electrical code in your area.
- If a dimmer control switch is used with this fixture, obtain professional advice to determine the correct type and electrical rating required.

PRE-INSTALLATION

- BEFORE BEGINNING ASSEMBLY, INSTALLATION OR OPERATION OF PRODUCT, MAKE SURE ALL PARTS ARE PRESENT.
- COMPARE PARTS WITH PACKAGE CONTENTS LIST AND DIAGRAM ON PREVIOUS PAGE. IF ANY PART IS MISSING OR DAMAGED, DO NOT ATTEMPT TO ASSEMBLE, INSTALL OR OPERATE THE PRODUCT. CONTACT CUSTOMER SERVICE FOR REPLACEMENT PARTS.
- TOOLS REQUIRED FOR ASSEMBLY (NOT INCLUDED): SCREWDRIVER, PHILLIPS SCREWDRIVER, PLIERS, ELECTRICAL TAPE, WIRE CUTTERS, SAFETY GLASSES, LADDER, WIRE STRIPPER.

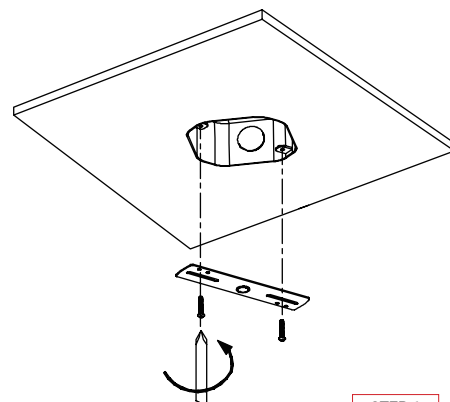
ASSEMBLY INSTRUCTIONS

- NON-REPLACEABLE LED'S.
- IF YOU ARE NOT FAMILIAR WITH THE STATE AND LOCAL CODES, IT IS RECOMMENDED THAT YOU CONSULT WITH A QUALIFIED ELECTRICIAN.
- SUITABLE FOR DAMP LOCATION, USE INDOORS ONLY.
- CAUTION: LED'S EMITS BRIGHT LIGHT. AVOID LOOKING DIRECTLY INTO THE LIGHT SOURCE FOR LONG PERIODS TO AVOID EYE DAMAGE.
- DIMMABLE (SOLD SEPARATELY).
- 120V FOR RESIDENTIAL USE.

INSTALLATION (TO AVOID RISK OF ELECTRIC SHOCK, MAKE SURE TO TURN OFF MAIN POWER SWITCH PRIOR TO INSTALLATION OR MAINTENANCE)

STEP 1

Take out the mounting bracket, nut and rod from the assembly bag. First, screw the rod to the mounting bracket, and then fix the mounting bracket to the junction box on the ceiling.



STEP 1

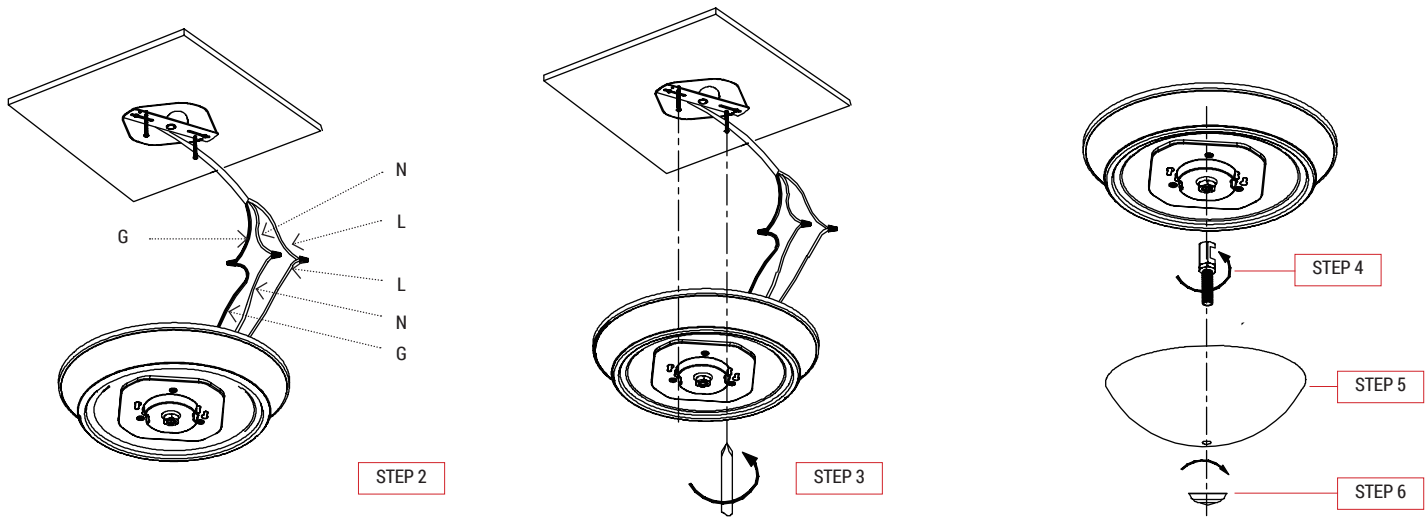
DIMMING COMPATIBLE CONTROLS

LUTRON	LEVITON
DSL06	6672
TGCL-153P	6674
DVCL-153P	
PD-6WCL	
MACL-153M	
CTCL-153P	

INSTALLATION MANUAL

INSTALLATION (CONTINUATION)

- STEP 2** → **STEP 3, 4, 5** → **STEP 6**
- ELECTRICAL CONNECTIONS**
- Connect white wire(s) from the fixture to the white (neutral) wire of the supply circuit, and screw on a wire connector.
 - Connect the black wire(s) from the fixture to the black (live) wire of the supply circuit, and screw on a wire connector.
 - Connect green wire(s) from the fixture to the ground wire, and screw on a wire connector.
- Tuck all the wires and connectors into the junction box. Align fixture on solenoid of install bracket so that letting it cross fixture and fix the base plate in turnon the ceiling (Step 3, 4, 5).
- Use finial to fix glass on the fixture (Step 6).



CARE AND MAINTENANCE

CAUTION: Before attempting to clean the fixture, disconnect the power to the fixture by turning the breaker off or removing the fuse from the fuse box. This LED light fixture is made from quality materials that will last many years with minimum care and maintenance. You may want to clean the fixture with a soft cloth periodically. To maintain the best appearance of the fixture, do not use cleaners with chemicals, solvents or harsh abrasives. Do not use liquid cleaner on the LEDs, LED driver, or wiring inside the light fixture.

TROUBLE SHOOTING

PROBLEM	POSSIBLE CAUSE	SOLUTION
Light will not come on	A. Fixture not properly connected. B. Light bulbs not working. C. Fixture not receiving power.	A. Check wires to ensure proper connections. B. Check to make sure breaker is on and test another working electrical device to make sure it is receiving power.
Cable does not connect.	Correct end of cable not matched with correct end of light.	Check markings on cable and light to ensure proper pairing.

READ ALL INSTRUCTIONS. SAVE THESE INSTRUCTIONS