

# INSTALLATION MANUAL



**NOTICE:**

- GREEN GROUND SCREW PROVIDED IN PROPER LOCATION. DO NOT RELOCATE
- IF SUPPLY WIRES ARE LOCATED WITHIN 3 INCHES OF BALLAST, USE WIRE RATED FOR AT LEAST 90°C (194°F).

**CAUTION:**

EDGES MAY CUT. HANDLE WITH CARE. RISK OF BURN. DISCONNECT POWER AND ALLOW FIXTURE TO COOL BEFORE CHANGING BULB OR HANDLING FIXTURE

**WARNING:**

RISK OF FIRE AND ELECTRIC SHOCK. IF NOT QUALIFIED, CONSULT AN ELECTRICIAN.

**SAFETY INFORMATION**

**WARNING:** Read all safety precautions and installation instructions carefully before installing or servicing this fixture. Failure to comply with these instructions could result in a potentially fatal electric shock, fire, and/or property damage.

- To reduce the risk of electric shock or other personal injury which could be hazardous or fatal, ensure power is turned OFF at the fuse or breaker box before making any electrical connections or removing the old fixture.
- Changes or modifications not expressly approved by the party responsible for compliance could void the user's authority to operate the equipment.
- Fixture should be installed by a qualified electrician or person experienced with household wiring. The electrical system, and method of electrical connection of the fixture, must be in accordance with the National Electrical Code and local building codes.

**NOT SUITABLE FOR WET LOCATIONS**  
**CONSULT A QUALIFIED ELECTRICIAN TO ENSURE CORRECT BRANCH CIRCUIT CONDUCTOR MINIMUM 90°C SUPPLY CONDUCTORS**

**WARNING:**

RISK OF FIRE, ELECTRICAL SHOCK, CUTS AND OR OTHER CASUALTY HAZARDS. THIS PRODUCT MUST BE INSTALLED IN ACCORDANCE WITH THE APPLICABLE INSTALLATION CODE BY A PERSON FAMILIAR WITH THE CONSTRUCTION AND OPERATION OF THE PRODUCT AND THE HAZARDS INVOLVED. WE ASSUMES NO RESPONSIBILITY FOR CLAIMS BROUGHT ABOUT BY IMPROPER OR CARELESS INSTALLATION OR HANDLING OF THIS PRODUCT.

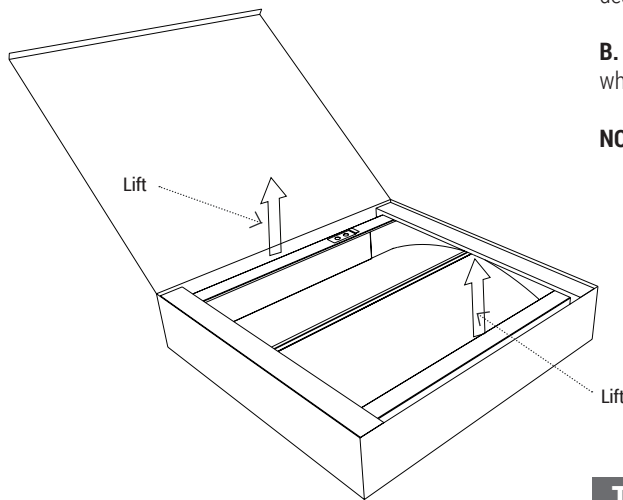
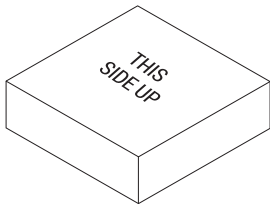
**ATTENTION RECEIVING DEPARTMENT:**

NOTE ACTUAL FIXTURE DESCRIPTION OF ANY SHORTAGE OR NOTICEABLE DAMAGE ON DELIVERY RECEIPT. FILE CLAIM FOR COMMON CARRIER (LTL) DIRECTLY WITH CARRIER. CLAIMS FOR CONCEALED DAMAGE MUST BE FILED WITHIN 15 DAYS OF DELIVERY. ALL DAMAGED MATERIAL, COMPLETE WITH ORIGINAL PACKING MUST BE RETAINED.

**PRE-INSTALLATION**

- Turn off the electrical power at the fuse or circuit breaker box before installing or servicing any part of this fixture.
- In replacing a fixture, remove existing fixture and make a sketch of wiring configuration (by color) or mark wires with masking tape for identification.
- Remove panel light from carton and check that all parts are included. Be careful not to misplace any of the screws or parts needed for installing the fixture.

## 1. REMOVING FIXTURE FROM PACKAGING

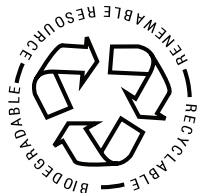


- Ensure "THIS SIDE UP" is visible and packaging is oriented in the designated direction.
- Using CLEAN work gloves, carefully lift fixture out of packaging materials while holding on to opposite ends of fixture.

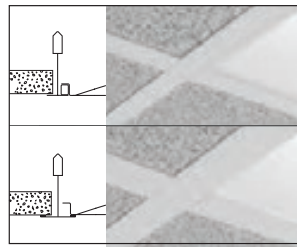
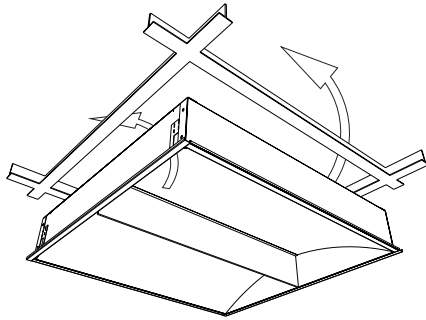
**NOTE: AVOID CONTACT WITH LENSES**

## TROUBLE SHOOTING

PROBLEM	POSSIBLE CAUSE	SOLUTION
Light will not come on	A. Light switch is turned off. B. Fuse is blown or circuit breaker is turned off. C. Incorrect circuit wiring.	A. Turn light switch on. B. Replace fuse or turn circuit breaker on. C. Verify that fixture is wired properly.

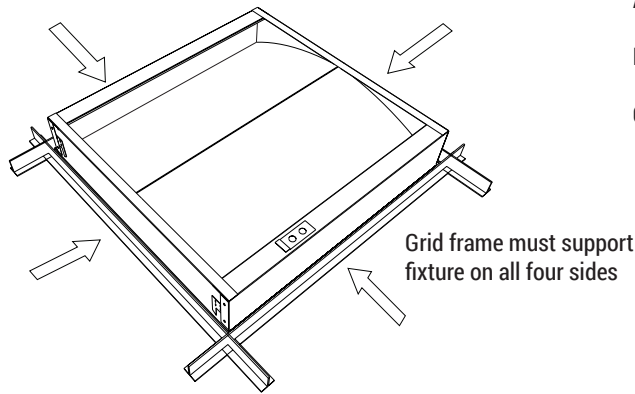


INSTALLATION MANUAL



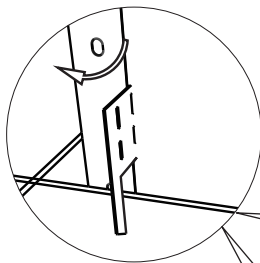
9/16 Flush (T9)

15/16 Flush (T1)

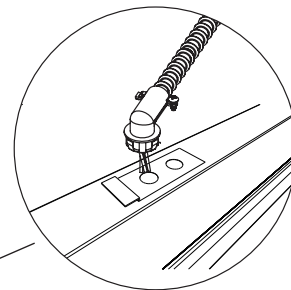


- A. Gently rotate fixture and angle into ceiling grid
- B. Rest fixture inside the center of the ceiling grid prior to securing tabs.
- C. Ensure all fixtures are oriented in the same direction or as intended by others.

3. SECURING FIXTURE TO GRID



Detail A



Detail B

- A. Bend tabs as shown in DETAIL A. Fold two tabs to 90 degree and align with two sides of grid .
- B. Remove pre-installed wire access plate. Connect power feed to the leads provided in accordance with national and local building and electrical codes (DETAIL B).

**NOTE: A SECOND WIRE KNOCKOUT IS PROVIDED FOR DAISY-CHAIN WIRE ADDITIONAL FIXTURES.**