

HOSPITALITY SERIES

VANITY SCONCE LUMINAIRE



INSTALLATION MANUAL

PRODUCT PARAMETER

INPUT VOLTAGE	120V
LENS	WHITE ACRYLIC
MATERIAL	DIE-FORMED COLD ROLLED STEEL



SAFETY INFORMATION

BE SURE THE POWER IS OFF! RISK OF ELECTRICAL SHOCK: Always use the switch to power off. Do not perform any operations while this unit is powered on. The electrical system you want to connect the device to must be grounded. Read the instructions before using or powering this device. The safety instructions must remain with the unit in case of transfer. Any damage to the device linked to an inappropriate use is excluded from support by the warranty. Before connecting, make sure that the current and voltage are compatible with this device. We highly recommend that all installations are made by QUALIFIED ELECTRICIAN. We are NOT responsible by any means for the use or misuse of the following information. We are NOT responsible in whole or part for any harm or damage that may or may not be caused. We reserve the right to revise the components of any product, due to part availability or change ETL, CUL, UL standards without assuming any obligation or liability to modify any products previously manufactured and without notice. These instructions do not cover all details of variations in equipment, nor do they provide every possible contingency to be met. Turn off / unplug power when installing or service device.

WARNING

WARNING: Read all safety precautions and installation instructions carefully before installing or servicing this fixture. Failure to comply with these instructions could result in a potentially fatal electric shock, fire, and/or property damage.

- To reduce the risk of electrical shock or other personal injury which could be hazardous or fatal, ensure the power is turned OFF, at the fuse or breaker box before making any electrical connections or removing the old fixture
- Changes or modifications not expressly approved by the party responsible for compliance could void the users authority to operate the equipment
- Must be connected to 100/277 volt, 60 Hz power source
- Fixture may be directly mounted or hung from ceiling
- Suitable for wall mount
- NOT suitable for ground locations. Minimum of 4 feet or higher
- Fixture should be installed by a qualified electrician or person experienced with household wiring. The electrical system, and method of electrical connection of the fixture, must be in accordance with the National Electrical Code and local building codes

NOT INTENDED FOR USE WITH EMERGENCY EXITS
 NOT SUITABLE FOR WET LOCATIONS
 CONSULT A QUALIFIED ELECTRICIAN TO ENSURE CORRECT BRANCH CIRCUIT CONDUCTOR
 MINIMUM 75°C SUPPLY CONDUCTORS

PRE - INSTALLATION

- Carefully remove the fixture from the carton.
- Before beginning assembly, installation, or operation of product, make sure all parts are present. Compare parts with package contents list and diagram on previous page. If any part is missing or damaged, do not attempt to assemble, install or operate the product. Contact customer service for replacement parts.
- Tools required for assembly (Not Included): screwdriver, phillips screwdriver, pliers, electrical tape, wire cutters, safety glasses, ladder, wire stripper.

FCC WARNING

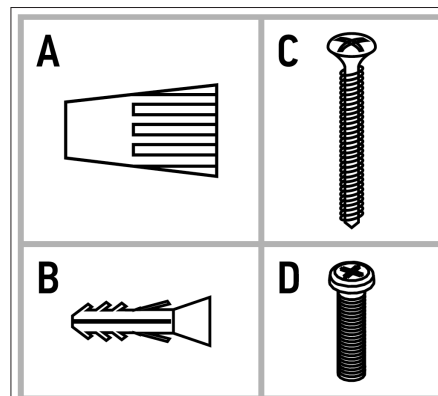
WARNING: Changes or modifications to this unit not expressly approved by the party responsible for compliance could void the user authority to operate the equipment.

NOTES: This equipment has been tested and found to comply with the limits for a Class B digital device, pursuant to Part 15 of the FCC Rules. These limits are designed to provide reasonable protection against harmful interference in a residential installation. This equipment generates, uses and can radiate radio frequency energy and, if not installed and used in accordance with the instructions, may cause harmful interference to radio communications. However, there is no guarantee that interference will not occur in a particular installation. If this equipment does cause harmful interference to radio or television reception, which can be determined by turning the equipment off and on, the user is encouraged to try to correct the interference by one or more of the following measures:

- Reorient or relocate the receiving antenna.
- Increase the separation between the equipment and receiver.
- Connect the equipment into an outlet on a circuit different from that to which the receiver is connected.
- Consult the dealer or an experienced radio/TV technician for help.

PACKAGE CONTENTS

DESCRIPTION	QUANTITY
LED Vanity Linear	1
Wire nut (A)	3
Anchors (B)	2
13/18" Screws (C)	2
13/16" Screws (D)	2
Box	1
Cut sheet	2



HOSPITALITY SERIES

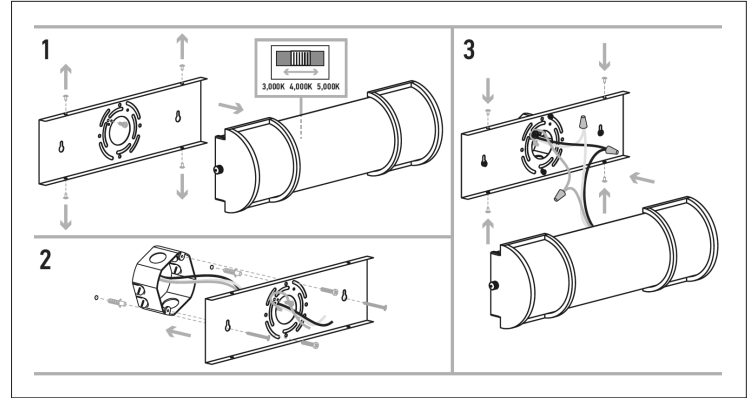
VANITY SCONCE LUMINAIRE



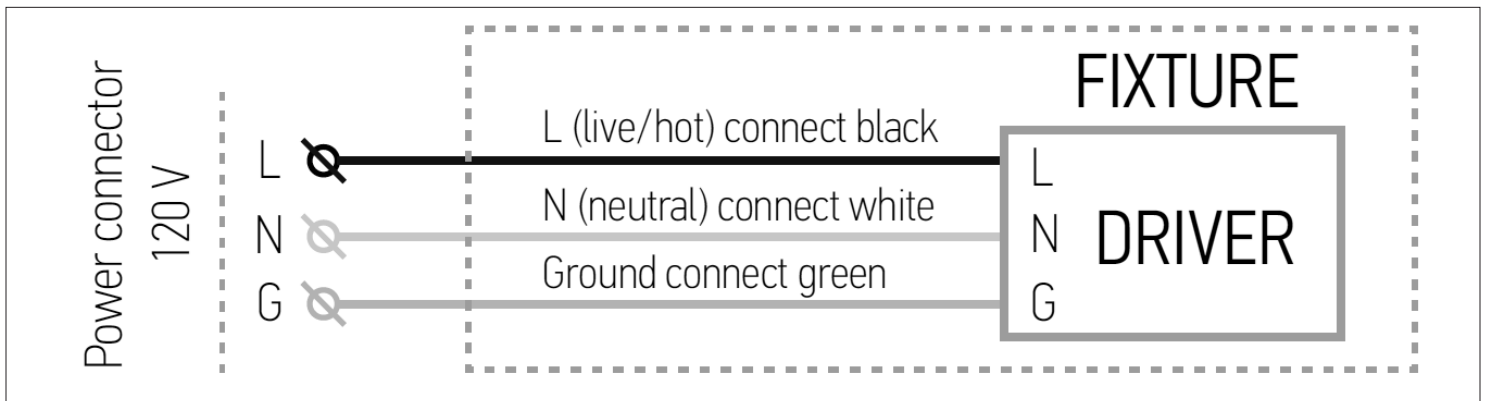
INSTALLATION MANUAL

INSTALLATION STEPS

1. Detach the fixture body from the back plate. Choose needed color temperature by adjusting the switch position on the back of the fixture.
2. Place the back plate against the wall covering the outlet box, mark placement of the mounting keyhole slots and drill appropriate sized holes for wall anchors.
3. Connect the wires: Black to Black, White to White, Green to Green. Secure the connection with wire nuts. Attach the fixture body to the back plate using four small screws.



ELECTRICAL SCHEMATIC DIAGRAM



TROUBLE SHOOTING

PROBLEM	POSSIBLE CAUSE	SOLUTION
Light will not come on	A. Light switch is turned off. B. Fuse is blown or circuit breaker is turned off. C. Incorrect circuit wiring	A. Turn light switch on B. Replace fuse or turn circuit breaker on C. Verify that fixture is wired properly

CARE AND MAINTENANCE

CAUTION: Before attempting to clean the fixture, disconnect the power to the fixture by turning the breaker off or removing the fuse from the fuse box. This LED light fixture is made from quality materials that will last many years with minimum care and maintenance. You may want to clean the fixture with a soft cloth periodically. To maintain the best appearance of the fixture, do not use cleaners with chemicals, solvents or harsh abrasives. Do not use liquid cleaner on the LEDs, LED driver, or wiring inside the light fixture.