

# TROFFER SERIES

## TUNABLE TROFFER



# INSTALLATION MANUAL

PRODUCT PARAMETER	
INPUT VOLTAGE	120-277V
DRIVER	SOSEN POWER
MATERIAL	SHEET IRON



## SAFETY INFORMATION

**BE SURE THE POWER IS OFF! RISK OF ELECTRICAL SHOCK:** Always use the switch to power off. Do not perform any operations while this unit is powered on. The electrical system you want to connect the device to must be grounded. Read the instructions before using or powering this device. The safety instructions must remain with the unit in case of transfer. Any damage to the device linked to an inappropriate use is excluded from support by the warranty. Before connecting, make sure that the current and voltage are compatible with this device. We highly recommend that all installations are made by QUALIFIED ELECTRICIAN. We are NOT responsible by any means for the use or misuse of the following information. We are NOT responsible in whole or part for any harm or damage that may or may not be caused. We reserve the right to revise the components of any product, due to part availability or change ETL, CUL, UL standards without assuming any obligation or liability to modify any products previously manufactured and without notice. These instructions do not cover all details of variations in equipment, nor do they provide every possible contingency to be met. Turn off / unplug power when installing or service device.

## WARNING

**WARNING:** Read all safety precautions and installation instructions carefully before installing or servicing this fixture. Failure to comply with these instructions could result in a potentially fatal electric shock, fire, and/or property damage.

- Turn off electricity at main fuse box (or circuit breaker box) before beginning installation by removing fuse or switching off circuit breaker
- Be careful not to damage or cut the wire insulation (covering) during fixture installation. Do not permit wires to contact any surface having a sharp edge. To do so may damage or cut the wire insulation, which could cause serious injury or death from electric shock
- LED electronics can be damaged by electro static discharge (ESD) shock. Before installation, discharge yourself by touching a grounded bare metal surface to remove this hazard. To avoid damage, do not touch the LED module
- All electrical connections must be in agreement with local codes, ordinances or the national electrical code (NEC)
- Contact your municipal building department to learn about your local codes, permits and/or inspections
- RISK OF FIRE - most dwellings built before 1985 have supply wire rated for 140°F/60°C. Consult a qualified electrician before installation
- Do not connect this fixture to an electrical system that does not provide equipment grounding. Never use a fixture in a two-wire system that is not grounded. If you are not sure your lighting system has a grounding means, do not attempt to install this fixture. Contact a qualified, licensed electrician for information with regards to proper grounding methods as required by the local electrical code in your area
- If a dimmer control switch is used with this fixture, obtain professional advice to determine the correct type and electrical rating required

## FCC WARNING

**WARNING:** Changes or modifications to this unit not expressly approved by the party responsible for compliance could void the user authority to operate the equipment.

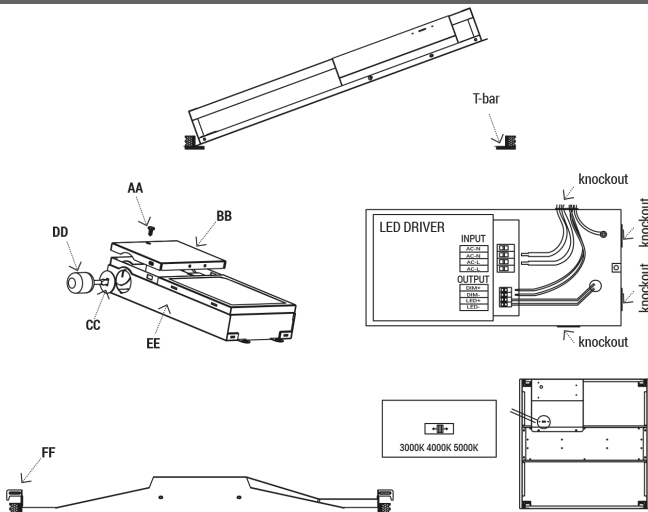
**NOTES:** This equipment has been tested and found to comply with the limits for a Class B digital device, pursuant to Part 15 of the FCC Rules. These limits are designed to provide reasonable protection against harmful interference in a residential installation. This equipment generates, uses and can radiate radio frequency energy and, if not installed and used in accordance with the instructions, may cause harmful interference to radio communications. However, there is no guarantee that interference will not occur in a particular installation. If this equipment does cause harmful interference to radio or television reception, which can be determined by turning the equipment off and on, the user is encouraged to try to correct the interference by one or more of the following measures:

- Reorient or relocate the receiving antenna.
- Increase the separation between the equipment and receiver.
- Connect the equipment into an outlet on a circuit different from that to which the receiver is connected.
- Consult the dealer or an experienced radio/TV technician for help.

## PRE - INSTALLATION

- Carefully remove the fixture from the carton.
- Before beginning assembly, installation, or operation of product, make sure all parts are present. Compare parts with package contents list and diagram on previous page. If any part is missing or damaged, do not attempt to assemble, install or operate the product. Contact customer service for replacement parts.
- Tools required for assembly (Not Included): screwdriver, phillips screwdriver, pliers, electrical tape, wire cutters, safety glasses, ladder, wire stripper.

## INSTALLATION (Caution: Before beginning installation turn off the circuit breaker and light switch)



1. Make sure the T-bars have been fixed in the ceiling like the picture shows (T-bars are not included).
2. Put the Troffer on the ceiling by leaning to one side, and the lower side of the troffer touches the T-bar.
3. Remove the set screw (Part AA) to open the driver enclosure over (Part BB) using a screwdriver enclosure.
4. Remove one of the knockouts (Part CC) on the driver (Part EE) by using a screwdriver (Part DD).
5. Connect wires from a power source to the fixture.
6. Close and secure the enclosure cover (Part BB) using the set screw (Part AA).
7. \*Optional\* correlated color temperature (CCT). Turn the switch to the position of 3000K, 4000K, 5000K to select the correlated color temperature (CCT).
8. Secure the fixture light to T-bars (grid) and bend all four built-in integral clips (Part FF) outwards to engage the T-bar.

### NOTE: ALL WIRES PASS THROUGH THE KNOCKOUT

- Connect the HOT wire (black) from the power source to the wiring terminal marked "AC-L"
- Connect the Neutral wire (white) from the power source to the wiring terminal marked "AC-N"
- Connect the GROUND wire (green/yellow) from the power source to the driver house.

### To connect a dimmer:

- Connect the PURPLE wire to the wiring terminal marked "DIM+"
- Connect the GREY wire to the wiring terminal marked "DIM-"