

# SLS SERIES

## LINEAR STAIRWELL LUMINAIRE



### INSTALLATION MANUAL

PRODUCT PARAMETER	
INPUT VOLTAGE	120-277V
DIMMING	0-10V
MATERIAL	DIE-FORM STEEL + EXTRUSION ALUMINUM



#### SAFETY INFORMATION

**BE SURE THE POWER IS OFF! RISK OF ELECTRICAL SHOCK:** Always use the switch to power off. Do not perform any operations while this unit is powered on. The electrical system you want to connect the device to must be grounded. Read the instructions before using or powering this device. The safety instructions must remain with the unit in case of transfer. Any damage to the device linked to an inappropriate use is excluded from support by the warranty. Before connecting, make sure that the current and voltage are compatible with this device. We highly recommend that all installations are made by QUALIFIED ELECTRICIAN. We are NOT responsible by any means for the use or misuse of the following information. We are NOT responsible in whole or part for any harm or damage that may or may not be caused. We reserve the right to revise the components of any product, due to part availability or change ETL, CUL, UL standards without assuming any obligation or liability to modify any products previously manufactured and without notice. These instructions do not cover all details of variations in equipment, nor do they provide every possible contingency to be met. Turn off / unplug power when installing or service device.

#### WARNING

**WARNING:** Read all safety precautions and installation instructions carefully before installing or servicing this fixture. Failure to comply with these instructions could result in a potentially fatal electric shock, fire, and/or property damage. **RISK OF PERSONAL INJURY – READ** and follow all WARNINGS and installation instructions. Keep or give to the owner for future reference. Risk of cuts: Wear gloves to prevent cuts or abrasions when removing from carton, handling, installing, and maintaining this product. Risk of electric shock: This product must be installed in accordance with the applicable installation code by a person familiar with the construction and operation of the product and the hazards involved. Risk of Fire: Minimum 194°F supply conductors. Consult a qualified electrician to ensure correct branch circuit conductor. Spitzer Lighting assumes no responsibility for claims arising out of improper or careless installation

#### FCC WARNING

**WARNING:** Changes or modifications to this unit not expressly approved by the party responsible for compliance could void the user authority to operate the equipment.  
**NOTES:** This equipment has been tested and found to comply with the limits for a Class B digital device, pursuant to Part 15 of the FCC Rules. These limits are designed to provide reasonable protection against harmful interference in a residential installation. This equipment generates, uses and can radiate radio frequency energy and, if not installed and used in accordance with the instructions, may cause harmful interference to radio communications. However, there is no guarantee that interference will not occur in a particular installation. If this equipment does cause harmful interference to radio or television reception, which can be determined by turning the equipment off and on, the user is encouraged to try to correct the interference by one or more of the following measures:  
• **Reorient or relocate the receiving antenna.**  
• **Increase the separation between the equipment and receiver.**  
• **Connect the equipment into an outlet on a circuit different from that to which the receiver is connected.**  
• **Consult the dealer or an experienced radio/TV technician for help.**

#### PRE - INSTALLATION

• Carefully remove the fixture from the carton.  
• Before beginning assembly, installation, or operation of product, make sure all parts are present. Compare parts with package contents list and diagram on previous page. If any part is missing or damaged, do not attempt to assemble, install or operate the product. Contact customer service for replacement parts.  
• Tools required for assembly (Not Included): screwdriver, phillips screwdriver, pliers, electrical tape, wire cutters, safety glasses, ladder, wire stripper.

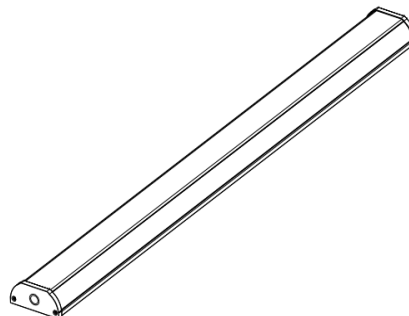
#### PACKAGE CONTENTS

#### DESCRIPTION

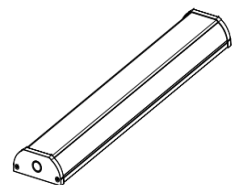
SLS is an surface mounted light, designed with a clean, versatile style and volumetric distribution ideally for illuminate the stairway. It comes with optional ultrasonic motion sensor that detects movement by filling the space with ultrasonic sound wave. It is ideal for space that requires light to turn on before people enter the line of sight.

#### INTENDED USE

SLS is ideal for stairwell, building stairway, parking garage, egress lighting, overhead doorways.



SLS-4



SLS-2

# INSTALLATION MANUAL

**INSTALLATION** (Caution: Before beginning installation turn off the circuit breaker and light switch)

### SURFACE MOUNTING

**STEP 1** Use appropriate mounting hardware (not supplied) to secure the Snap On B rackets to mounting surface. Refer to recommended Snap On Bracket in Fig. 2 for SLS-2FT and in Fig3. for SLS-4FT.

**STEP 2** Pull supply wires through the outlet, use correct UL-rated wire connectors as required by the National Electric Code to make electrical splices to fixture leads. See Fig.1

**STEP 3** For conduit mounting drill out End Cap or 1/2" knock-out hole on the cover, connect conduit.

**STEP 4** Snap Housing on Snap On Brackets as shown in Fig. 4.

**WARNING:** To prevent wiring damage or abrasion, do not expose wiring to edges of sharp objects.

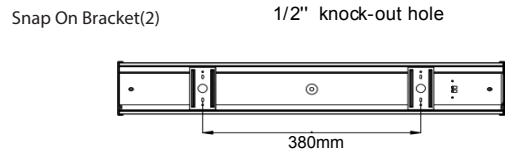
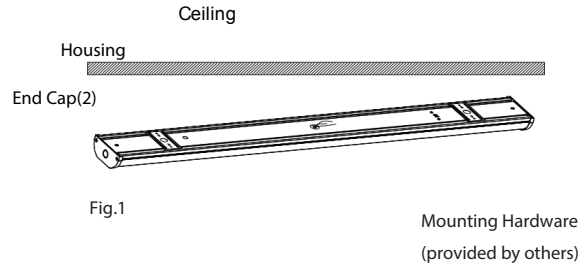


Fig. 2 SLS-2

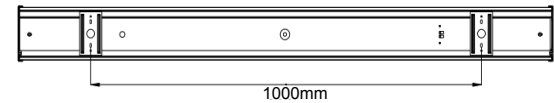


Fig. 3 SLS-4

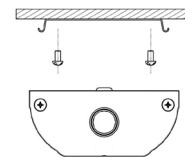


Fig.4 SURFACE MOUNTING

### V-HOOK MOUNTING

**STEP 1** Snap Housing on Snap On Brackets.

**STEP 2** In order to use an alternate entry point for SLS 2FT & 4FT, follow steps 2-3 under Surface

Mounting section.

**STEP 3** V Hooks ( 2 ) are provided for chain mounting. Loop V-Hooks through Snap On Bracket at back of Housing as in Fig. 5.

**STEP 4** Connect to two (for SLS 2FT & 4FT) equal lengths of chain (by others) and/or appropriate hardware (by others) suitable for mounting surface, to suspend Housing from V Hooks.

**STEP 5** Fixture mounting height and spacing should be determined by appli-

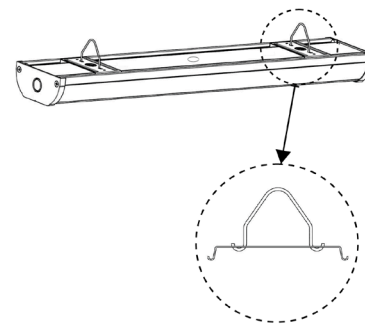


Fig.5 VHOOK MOUNTING

### 0-10V DIMMABLE WIRING

UNIVERSAL VOLTAGE DRIVER PERMITS OPERATION AT 120V THRU 277V, 50 OR 60 HZ. FOR 0-10V DIMMING, FOLLOW THE WIRING DIRECTIONS IN FIG. 6.

1. Connect the black fixture lead to the LINE supply lead.
2. Connect the white fixture lead to the COMMON supply lead.
3. Connect the GROUND wire from fixture to supply ground.
4. Connect the purple fixture lead to the (V+) DIM lead.
5. Connect the pink fixture lead to the (V-) DIM lead.
6. NOTE: Do not connect DIM V+ (purple)/ DIM V-(pink) to line.

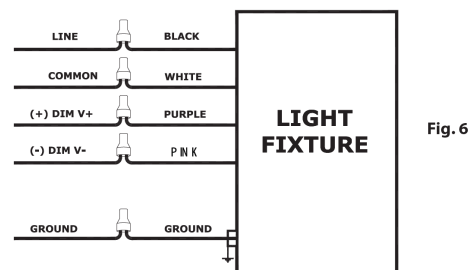


Fig. 6