

FLOOD LIGHT SERIES

HIGH POWERED FLOOD LIGHT



INSTALLATION MANUAL

PRODUCT PARAMETER	
INPUT VOLTAGE	120 - 277V
DRIVER	SOSEN POWER
MATERIAL	ALUMINUM & PC



PRE - INSTALLATION

- Carefully remove the fixture from the carton.
- Before beginning assembly, installation, or operation of product, make sure all parts are present. Compare parts with package contents list and diagram on previous page. If any part is missing or damaged, do not attempt to assemble, install or operate the product. Contact customer service for replacement parts.
- Tools required for assembly (Not Included): screwdriver, phillips screwdriver, pliers, electrical tape, wire cutters, safety glasses, ladder, wire stripper.

SAFETY INFORMATION

BE SURE THE POWER IS OFF! RISK OF ELECTRICAL SHOCK: Always use the switch to power off. Do not perform any operations while this unit is powered on. The electrical system you want to connect the device to must be grounded. Read the instructions before using or powering this device. The safety instructions must remain with the unit in case of transfer. Any damage to the device linked to an inappropriate use is excluded from support by the warranty. Before connecting, make sure that the current and voltage are compatible with this device. We highly recommend that all installations are made by QUALIFIED ELECTRICIAN. We are NOT responsible by any means for the use or misuse of the following information. We are NOT responsible in whole or part for any harm or damage that may or may not be caused. We reserve the right to revise the components of any product, due to part availability or change ETL, CUL, UL standards without assuming any obligation or liability to modify any products previously manufactured and without notice. These instructions do not cover all details of variations in equipment, nor do they provide every possible contingency to be met. Turn off / unplug power when installing or service device.

WARNING

WARNING: Read all safety precautions and installation instructions carefully before installing or servicing this fixture. Failure to comply with these instructions could result in a potentially fatal electric shock, fire, and/or property damage.

- Check the damage fixture throughly, Report to the carrier if the product is damaged
- To prevent personal injury or product damage only licensed electricians should install
- To avoid electric shock or component damage disconnect power before attempting installation or servicing
- This product must be installed in accordance with the national electric code (NEC) and all applicable federal, state, and local electric codes and safety standards
- Disconnect product and allow cooling prior to servicing
- Any alteration or modification of this product is expressly forbidden as it may cause serious personal injury, death, property damage and/or product malfunction
- To prevent product malfunction and/or electrical shock this product must be properly grounded
- This luminaire is designed to operate in ambient temperatures ranging from -22°F ~ 113°F and to be horizontally mounted with the LEDs facing down

FCC WARNING

WARNING: Changes or modifications to this unit not expressly approved by the party responsible for compliance could void the user authority to operate the equipment.

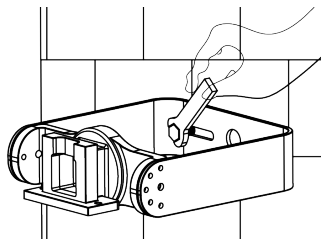
NOTES: This equipment has been tested and found to comply with the limits for a Class B digital device, pursuant to Part 15 of the FCC Rules. These limits are designed to provide reasonable protection against harmful interference in a residential installation. This equipment generates, uses and can radiate radio frequency energy and, if not installed and used in accordance with the instructions, may cause harmful interference to radio communications.

However, there is no guarantee that interference will not occur in a particular installation. If this equipment does cause harmful interference to radio or television reception, which can be determined by turning the equipment off and on, the user is encouraged to try to correct the interference by one or more of the following measures:

- Reorient or relocate the receiving antenna.
- Increase the separation between the equipment and receiver.
- Connect the equipment into an outlet on a circuit different from that to which the receiver is connected.
- Consult the dealer or an experienced radio/TV technician for help.

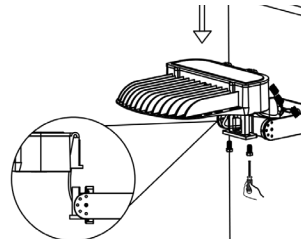
WALL MOUNT INSTALLATION (Caution: Before beginning installation turn off the circuit breaker and light switch)

STEP 1 →



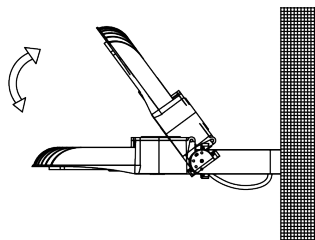
Fix the bracket on the wall and tighten the screw. (as shown in photo)

STEP 2 →



The luminaire is mounted on the bracket adapter, and tighten two fastening screws at the bottom of the bracket adapter, and then connect the power supply AC line of the arm adapter according to the requirements. (as shown in photo)

STEP 3



According to the use environment of lamps and lanterns, customers can adjust the rotation angle of lamps and lanterns

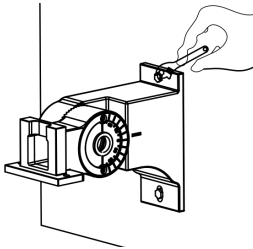
FLOOD LIGHT SERIES

HIGH POWERED FLOOD LIGHT

INSTALLATION MANUAL

ARM MOUNT INSTALLATION (Caution: Before beginning installation turn off the circuit breaker and light switch)

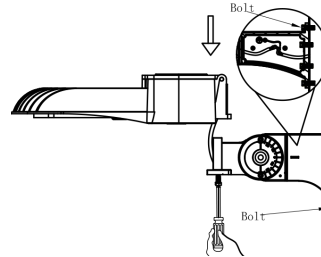
STEP 1 →



Fix the ARM adapter on the wall and tighten the screws. (as shown in the photo)

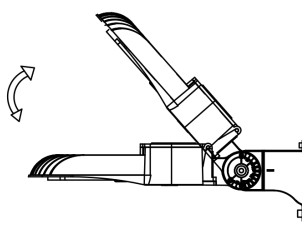
Note: A listed canopy (IFFX/7) must be provided by client and mount it between outlet box and luminaire

STEP 2 →



Luminaire is installed on the arm adapter and tighten two fastening screws at the bottom of the arm adapter, then connect the power supply AC line in the arm adapter according to the requirements. (as shown in the photo)

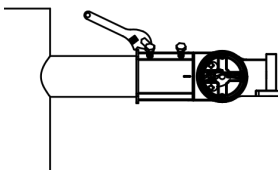
STEP 3 →



According to the use environment of lamps and lanterns, customers can adjust the rotation angle of lamps and lanterns.

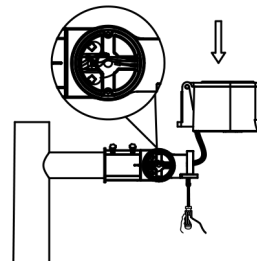
SLIP-FITTER INSTALLATION (Caution: Before beginning installation turn off the circuit breaker and light switch)

STEP 1 →



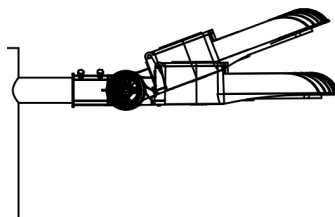
Install the slip sleeve installer on the garden pole and tighten the screws, then connect the power cord. (as shown in the photo)

STEP 2 →



Fix the luminaire on Slip-Fitter and tighten the bottom screw. (as shown in the photo)

STEP 3 →



Adjust the angle of the lamps and lanterns according to the requirements. (as shown in the photo)

FLOOD LIGHT SERIES

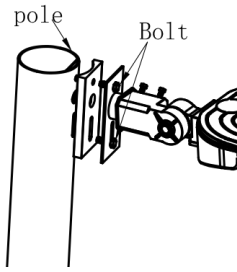
HIGH POWERED FLOOD LIGHT



INSTALLATION MANUAL

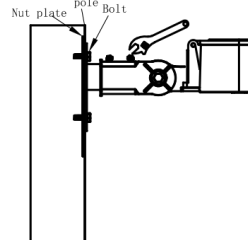
POLE MOUNT INSTALLATION (Caution: Before beginning installation turn off the circuit breaker and light switch)

STEP 1 →

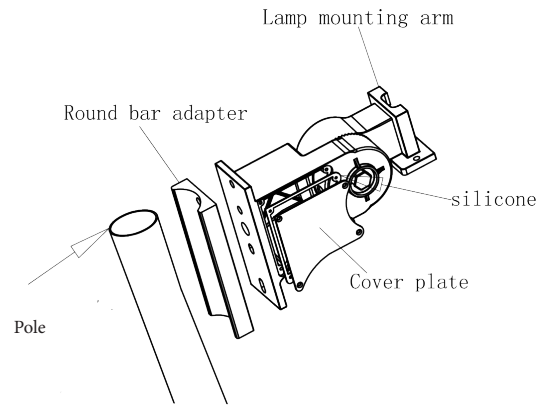
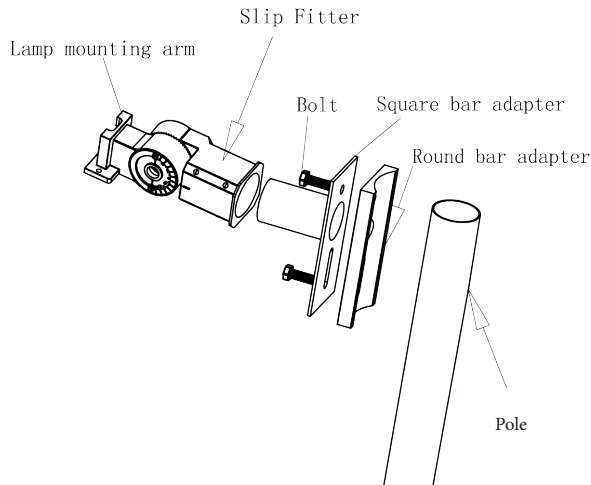


Drill holes on the garden rod corresponding to the hole on the square adapter, and fix the fixture to the adapter with bolts and the nut plates. (as shown in the photo)

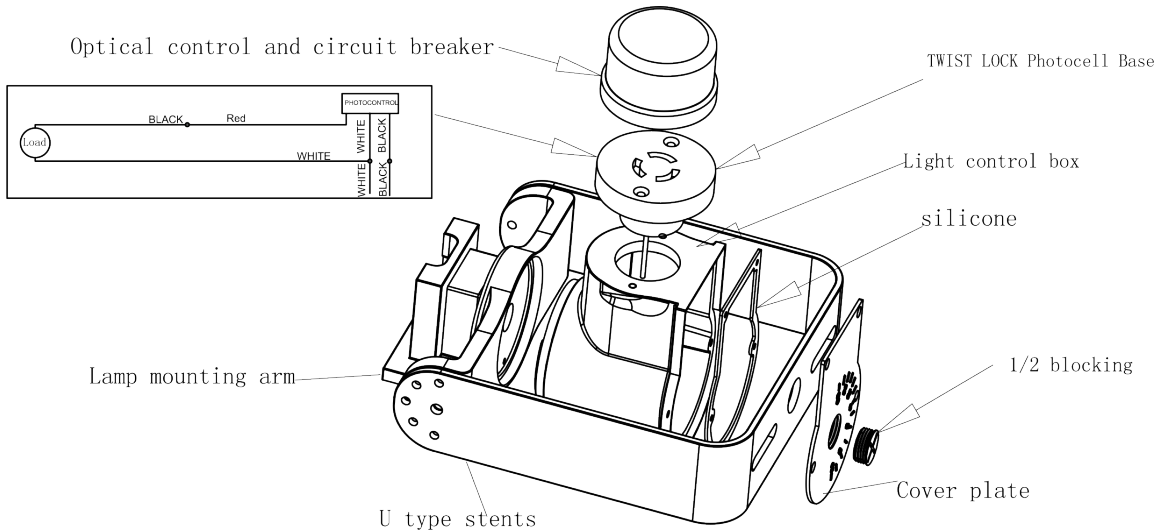
STEP 2 →



Drill holes on the square pole corresponding to the holes on the arm, and use the bolt and the nut plate to fix the fixture to the pole tightly. (as shown in the photo)



PHOTOCELL W/WALL MOUNT INSTALLATION (Caution: Before beginning installation turn off the circuit breaker and light switch)



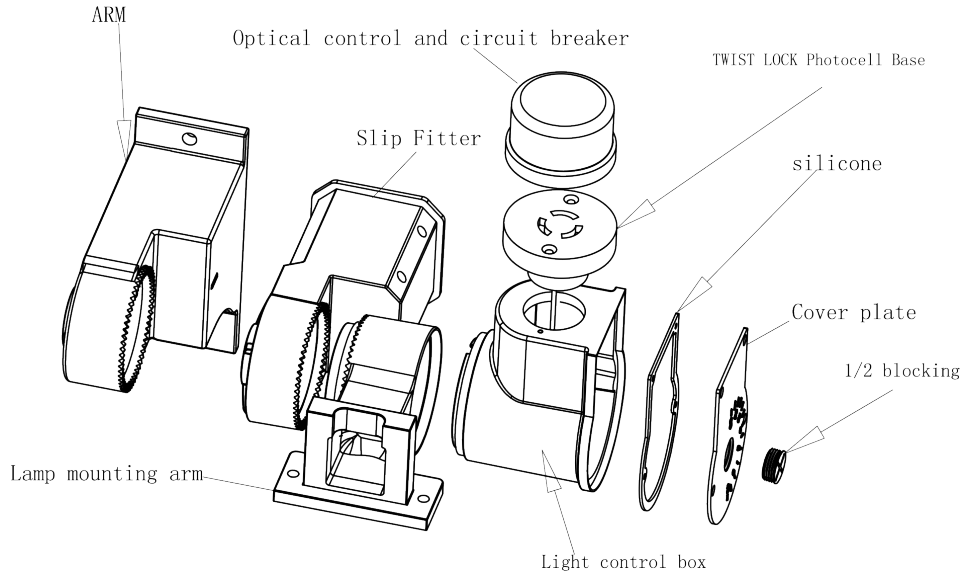
FLOOD LIGHT SERIES

HIGH POWERED FLOOD LIGHT



INSTALLATION MANUAL

PHOTOCELL W/WALL MOUNT INSTALLATION (Caution: Before beginning installation turn off the circuit breaker and light switch)



TROUBLE SHOOTING

CARE AND MAINTENANCE

PROBLEM	POSSIBLE CAUSE	SOLUTION	CAUTION: Before attempting to clean the fixture, disconnect the power to the fixture by turning the breaker off or removing the fuse from the fuse box. This LED light fixture is made from quality materials that will last many years with minimum care and maintenance. You may want to clean the fixture with a soft cloth periodically. To maintain the best appearance of the fixture, do not use cleaners with chemicals, solvents or harsh abrasives. Do not use liquid cleaner on the LEDs, LED driver, or wiring inside the light fixture.
Light will not come on	A. Light switch is turned off. B. Fuse is blown or circuit breaker is turned off. C. Incorrect circuit wiring	A. Turn light switch on B. Replace fuse or turn circuit breaker on C. Verify that fixture is wired properly	