

# ELR SERIES

EDGE-LIT ROUND SURFACE/PENDANT MOUNT



## INSTALLATION MANUAL

PRODUCT PARAMETER	
INPUT VOLTAGE	120-277V
DIMMING	TRIAC @ 120V ONLY
LISTINGS	DAMP LOCATION



### SAFETY INFORMATION

**BE SURE THE POWER IS OFF! RISK OF ELECTRICAL SHOCK:** Always use the switch to power off. Do not perform any operations while this unit is powered on. The electrical system you want to connect the device to must be grounded. Read the instructions before using or powering this device. The safety instructions must remain with the unit in case of transfer. Any damage to the device linked to an inappropriate use is excluded from support by the warranty. Before connecting, make sure that the current and voltage are compatible with this device. We highly recommend that all installations are made by QUALIFIED ELECTRICIAN. We are NOT responsible by any means for the use or misuse of the following information. We are NOT responsible in whole or part for any harm or damage that may or may not be caused. We reserve the right to revise the components of any product, due to part availability or change ETL, CUL, UL standards without assuming any obligation or liability to modify any products previously manufactured and without notice. These instructions do not cover all details of variations in equipment, nor do they provide every possible contingency to be met. Turn off / unplug power when installing or service device.

### WARNING

**WARNING:** Read all safety precautions and installation instructions carefully before installing or servicing this fixture. Failure to comply with these instructions could result in a potentially fatal electric shock, fire, and/or property damage.

### FCC WARNING

**WARNING:** Changes or modifications to this unit not expressly approved by the party responsible for compliance could void the user authority to operate the equipment.

**NOTES:** This equipment has been tested and found to comply with the limits for a Class B digital device, pursuant to Part 15 of the FCC Rules. These limits are designed to provide reasonable protection against harmful interference in a residential installation. This equipment generates, uses and can radiate radio frequency energy and, if not installed and used in accordance with the instructions, may cause harmful interference to radio communications.

However, there is no guarantee that interference will not occur in a particular installation. If this equipment does cause harmful interference to radio or television reception, which can be determined by turning the equipment off and on, the user is encouraged to try to correct the interference by one or more of the following measures:

- Reorient or relocate the receiving antenna.
- Increase the separation between the equipment and receiver.
- Connect the equipment into an outlet on a circuit different from that to which the receiver is connected.
- Consult the dealer or an experienced radio/TV technician for help.

### PRE - INSTALLATION

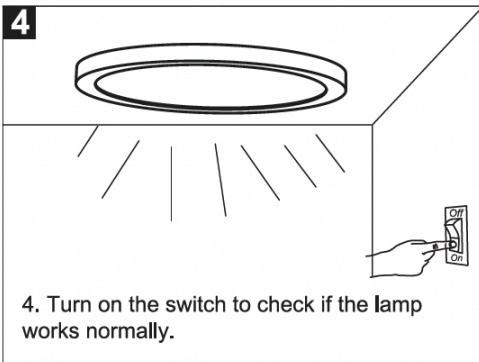
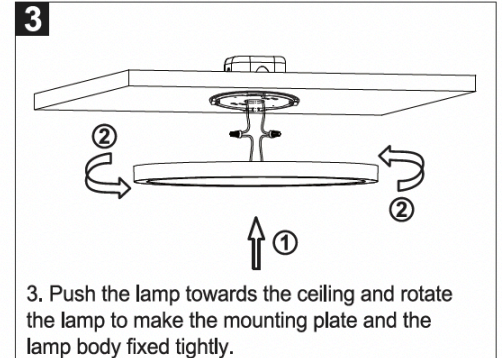
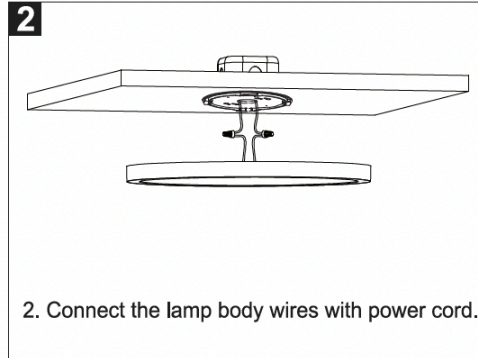
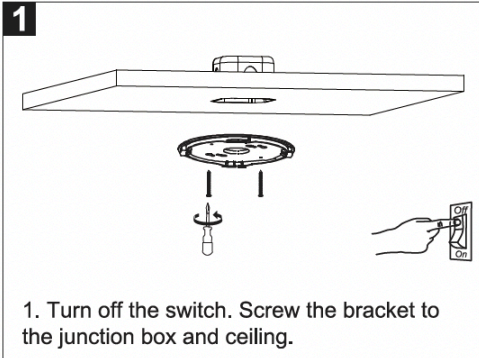
- Carefully remove the fixture from the carton.
- Before beginning assembly, installation, or operation of product, make sure all parts are present. Compare parts with package contents list and diagram on previous page. If any part is missing or damaged, do not attempt to assemble, install or operate the product. Contact customer service for replacement parts.
- Tools required for assembly (Not Included): screwdriver, phillips screwdriver, pliers, electrical tape, wire cutters, safety glasses, ladder, wire stripper.

### INSTALLATION (Caution: Before beginning installation turn off the circuit breaker and light switch)

Wattage (W)	Voltage (V)	Rated Input Frequency (Hz)	Beam Angle (°)	Dimensions (DxH)
15W	AC120-277V	50/60HZ	120°	12 X 0.95 INCH
20W				16 X 0.95 INCH
40W				24 X 0.95 INCH

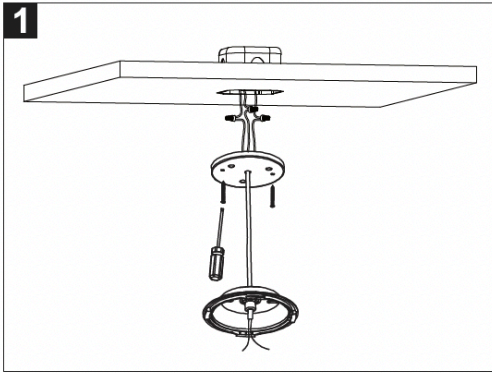
### INSTALLATION MANUAL

#### SURFACE MOUNTED INSTALLATION

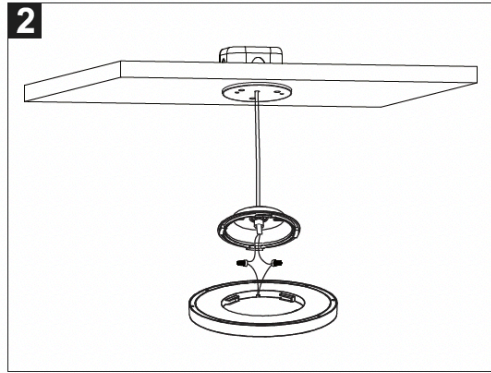


### INSTALLATION MANUAL

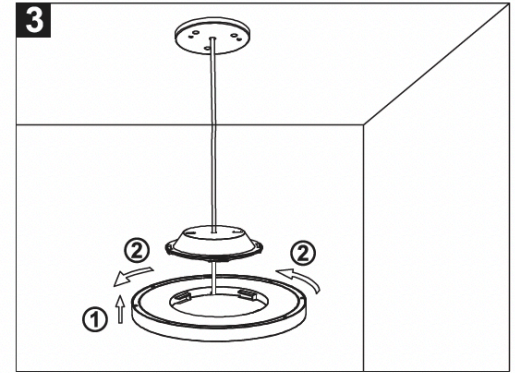
#### SUSPENDING INSTALLATION



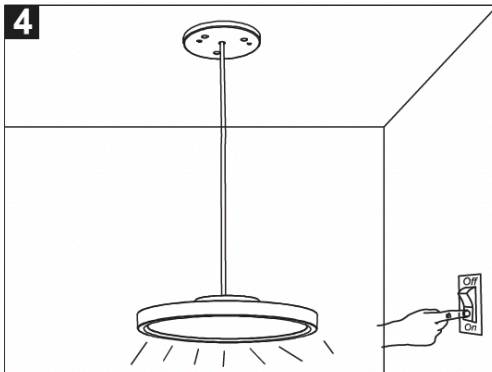
1. Turn off the switch. Use terminal caps to connect metal plate input line with power cord. Screw the metal plate in picture to the junction box and ceiling.



2. Connect the lamp body wires with power cord.



3. Push the lamp towards the hanging plate and rotate the plate to make the mounting plate and the lamp body fixed tightly.



4. Turn on the switch to check if the lamp works normally.