

# AREA LIGHT SERIES

## ABL BARNLIGHT

# INSTALLATION MANUAL

### PRODUCT PARAMETER

<b>INPUT VOLTAGE</b>	100 - 277V
<b>DISTRIBUTION</b>	TYPE V
<b>FINISH</b>	SLIVER GREY, DARK BRONZE



### SAFETY INFORMATION

**BE SURE THE POWER IS OFF! RISK OF ELECTRICAL SHOCK:** Always use the switch to power off. Do not perform any operations while this unit is powered on. The electrical system you want to connect the device to must be grounded. Read the instructions before using or powering this device. The safety instructions must remain with the unit in case of transfer. Any damage to the device linked to an inappropriate use is excluded from support by the warranty. Before connecting, make sure that the current and voltage are compatible with this device. We highly recommend that all installations are made by QUALIFIED ELECTRICIAN. We are NOT responsible by any means for the use or misuse of the following information. We are NOT responsible in whole or part for any harm or damage that may or may not be caused. We reserve the right to revise the components of any product, due to part availability or change ETL, CUL, UL standards without assuming any obligation or liability to modify any products previously manufactured and without notice. These instructions do not cover all details of variations in equipment, nor do they provide every possible contingency to be met. Turn off / unplug power when installing or service device.

### PRE - INSTALLATION

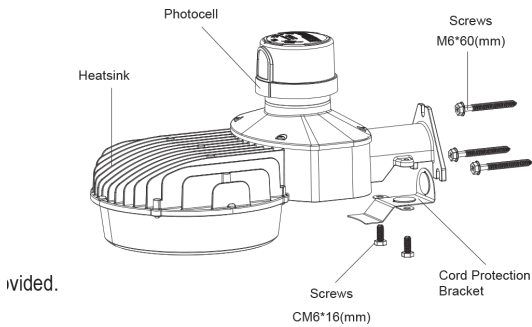
- Carefully remove the fixture from the carton.
- Before beginning assembly, installation, or operation of product, make sure all parts are present. Compare parts with package contents list and diagram on previous page. If any part is missing or damaged, do not attempt to assemble, install or operate the product. Contact customer service for replacement parts.
- Tools required for assembly (Not Included): screwdriver, phillips screwdriver, pliers, electrical tape, wire cutters, safety glasses, ladder, wire stripper.

### WARNING

- WARNING:** Read all safety precautions and installation instructions carefully before installing or servicing this fixture. Failure to comply with these instructions could result in a potentially fatal electric shock, fire, and/or property damage.
- Turn power off before inspection, installation or removal.
  - The installation should be performed by qualified electricians or lighting technicians.
  - Before conducting any installation, maintenance, or removal, disable all power to the luminaires and wait until the fixture cool down.
  - Do not touch the fixture while it is in service.
  - If there is any problem with the fixture, Do turn off power and DO NOT attempt repair unless you are a qualified technician or the customer service member.
  - This luminaire is designed to operate in ambient temperatures ranging from -40°F ~ 104 °F and to be horizontally mounted with the LEDs facing down
  - This product is not available for several special environments, such as places with corrosive gas liquids or high pressure water vapor.

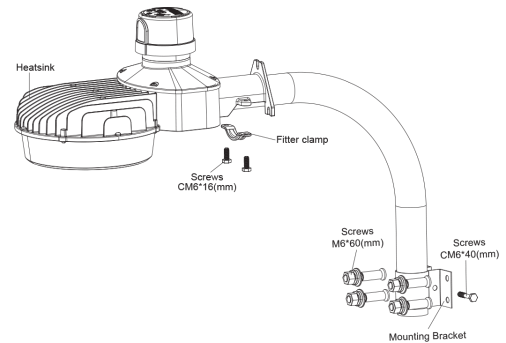
## MOUNT INSTALLATION (Caution: Before beginning installation turn off the circuit breaker and light switch)

### WALL MOUNT



1. Place mounting section of fixture onto desired mounting surface, mark and drill holes for mounting
2. Mount the fixture with bolts provided. Install the top screw. Tighten the top screw first and then tighten the top screws first and then tighten the remaining screws.
3. Make wiring connections in the fixture. (White to Neutral lead, Black to Line lead, Yellow Green to Ground lead).
4. Put the cord protection bracket back on the fixture and fix it with screws provided.
5. Installation is completed

### ARM MOUNT



1. Feed supply wires through arm and make wiring connections. (White to Neutral lead, Black to Line lead, Yellow Green to Ground lead)
2. Secure the fixture on the arm with fitter clamp and screws provided
3. Attach the fixture over the mounting bracket and tighten the set screws provided
4. Check that fixture is firmly attached to mounting surface
5. Installation is completed

### ACCESSORY LIST

Mounting Type	Accessory	Specifications	Quantity
Wall Mount (Standard)	Cord protection board	L Shape Cord protection board	1
	Screws	CM6*16-SS, Stainless Steel Hexagon flat head bolt	2
	Screws	M6*60, Hexagon flanged bottom cross self tapping screw	3
	Bracket	Ω Shape bracket	1
Arm Mount (Sold separately)	Fitter clamp	slipfitter	1
	Screws	CM6*16-SS, Stainless Steel Inner Hexagon head bolt	2
	Screws	M6*60, Stainless Steel Expansion Screw	4
	Screws	CM6*40-SS, Stainless Steel Inner Hexagon head bolt	1
	Arm	1-5/8 Diameter,	1