

WPSC S

Slim Semi-Cutoff Wall Luminaire Small

MODEL NO.	TYPE	PROJECT/DATE
-----------	------	--------------

KEY FEATURES

- Slim profiled semi-cut off wall mount luminaire
- 4 lumen output and 3 CCT changeable
- Integrated emergency backup available

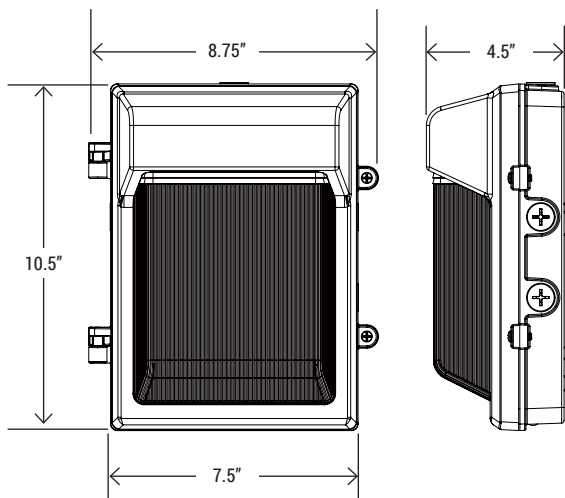
TECHNICAL SUMMARY

SIZE	Small
OUTPUT WATTAGE	40/32/27/16W
LUMEN/EFFICACY	5400/4500/3900/2400LM, 135-150LM/W
INPUT VOLTAGE	120-277Vac
AVAILABLE CCT/CRI	30/40/50K Color Changeable, 70 CRI
CONTROL	On/off, On/off with button photocell
VALIDATIONS	UL & cUL wet location Listed, FCC & RoHS compliant
LIFETIME	L70>50,000 hours, 5 year warranty
OPERATION TEMP.	-40°F ~ 104°F / With EM 50°F ~ 104°F
FINISH	Dark Bronze

*Delivered lumen may vary, refer to photometric for full performance data



DIMENSIONS



SMALL
Weight: 4.2 lbs

WPSC S

Slim Semi-Cutoff Wall Luminaire Small

MODEL NO.	TYPE	PROJECT/DATE
-----------	------	--------------

ORDERING INFORMATION

*Additional cost and/or lead time on customized fixtures may apply.

Series	Size	Lumen Package	Input Voltage	CCT	Control	Finish	EM Option*
WPSC	S	54LC (5400/4500/3900/2400LM)	U - (120-277Vac)	CC - (30/40/50K Color Changeable)	CO - (On/off) COP - (On/off with button photocell)	DB - (Dark Bronze)	EM0 - (4W Factory Installed Integrated EM)

SPECIFICATIONS

CONSTRUCTION

Die-cast aluminum housing with PC Lens, fully gasketed with tubular silicone gasket.

FINISH

Exterior parts are protected by a rust and corrosion proof zinc-infused polyester powder coating.

OPTICS

UV stabilized polycarbonate lens.

ELECTRICAL

Long life LED system, Outdoor rated Class constant current driver, Line voltage 120-277Vac, Emergency and photocell option available.

VALIDATIONS

UL & cUL wet location Listed, FCC & RoHS compliant

MOUNTING

Wall mounting directly over a standard junction box (by others)