

WPSC M & L

Slim Semi-Cutoff Wall Luminaire Medium & Large

MODEL NO.	TYPE	PROJECT/DATE
-----------	------	--------------

KEY FEATURES

- Slim profiled semi-cut off wall mount luminaire
- 4 lumen output and 3 CCT changeable
- Integrated emergency backup available

TECHNICAL SUMMARY

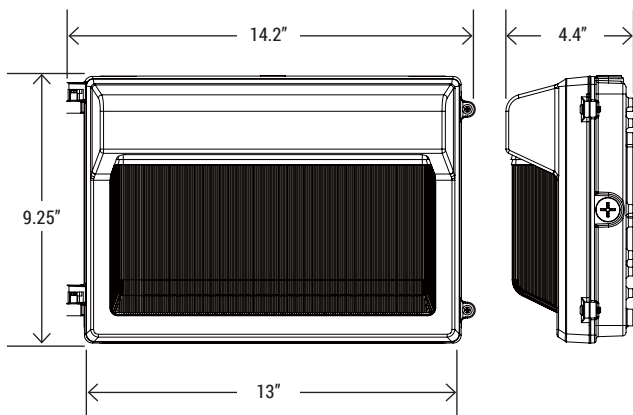
SIZE	Medium & Large
OUTPUT WATTAGE	Medium: 90/70/50/30W, Large: 120/100/80/50W
LUMEN/EFFICACY	Medium: 12000/9800/7500/4800LM, Large: 16000/14000/12000/8000LM, 133-160LM/W
INPUT VOLTAGE	120-277Vac
AVAILABLE CCT/CRI	CC (30/40/50K Color Changeable), 70 CRI
CONTROL	On/off, On/off with button photocell
VALIDATIONS	UL & cUL wet location Listed, FCC & RoHS compliant
LIFETIME	L70>50,000 hours, 5 year warranty
OPERATION TEMP.	-40°F ~ 104°F / With EM 50°F ~ 104°F
FINISH	Dark Bronze



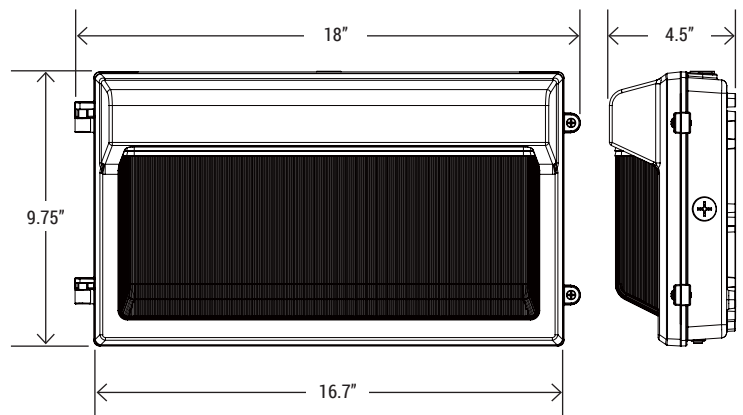
*Delivered lumen may vary, refer to photometric for full performance data



DIMENSIONS



MEDIUM
Weight: 7.2 lbs



LARGE
Weight: 10.5 lbs

WPSC M & L

Slim Semi-Cutoff Wall Luminaire Medium & Large

MODEL NO.	TYPE	PROJECT/DATE
-----------	------	--------------

ORDERING INFORMATION

*Additional cost and/or lead time on customized fixtures may apply.

<input type="text"/>	-	<input type="text"/>	-	<input type="text"/>	-	<input type="text"/>	-	<input type="text"/>	-	<input type="text"/>
Series	Size	Lumen Package	Input Voltage	CCT	Control	Finish	EM Option*			
WPSC	L	160LC (16000/14000/12000/8000LM)	U - (120-277Vac)	CC - (30/40/50K Color Changeable)	CO - (On/off) COP - (On/off with button photocell)	DB - (Dark Bronze)	EM1 - (8W Factory Installed Integrated EM)			
	M	120LC (12000/9800/7500/4800LM)								

SPECIFICATIONS

CONSTRUCTION

Die-cast aluminum housing with PC Lens, fully gasketed with tubular silicone gasket.

FINISH

Exterior parts are protected by a rust and corrosion proof zinc-infused polyester powder coating.

OPTICS

Impact resistance tempered glass.

ELECTRICAL

Long life LED system, Outdoor rated Class constant current driver, Line voltage 120-277Vac, Emergency and photocell option available.

VALIDATIONS

UL & cUL wet location Listed, FCC & RoHS compliant

MOUNTING

Wall mounting directly over a standard junction box (by others)