

URBAN

Architectural Post Top Urban

MODEL NO.	TYPE	PROJECT/DATE
-----------	------	--------------

KEY FEATURES

- Contemporary design with soft-glow visual comfortable illumination for urban amenity
- Two distinctive contemporary architectural lens designs
- Die-cast aluminum housing rated for IP65 and IK08

TECHNICAL SUMMARY

SIZE	Narrow, Wide
WATTAGE	80W, 40W
LUMEN/EFFICACY	8000LM, 4000LM, 100LM/W
INPUT VOLTAGE	120 - 277Vac
AVAILABLE CCT/CRI	3000K, 4000K, >80CRI
CONTROL	On/off with 0-10V driver no dimming wires Bi-level microwave motion sensor 7-pin receptacle with photocell
VALIDATION	ETL & cETL wet location Listed, IP65 and IK08 rated, FCC & RoHS compliant
LIFETIME	L70 > 100,000 hours, 5 year warranty
DISTRIBUTION & DIFFUSION	Type V with clear or frosted Lens
SURGE PROTECTION	10Kv/5Ka
OPERATION TEMP	-40°F ~ 122°F
FINISH	Standard: Dark Bronze, Silver Gray, Matte Black, Matte White Premium: Pine Green, Corten Brown



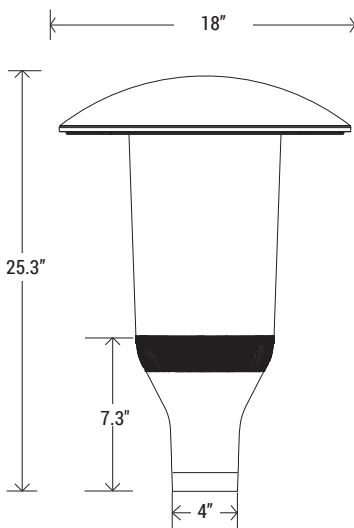
PTU-N
(Shown in black)

PTU-W
(Shown in black)

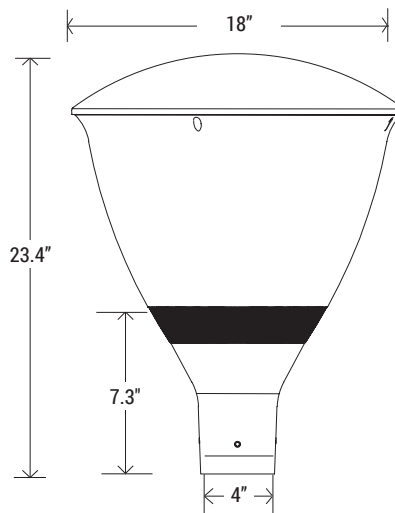
*Delivered lumen may vary, refer to photometric for full performance data



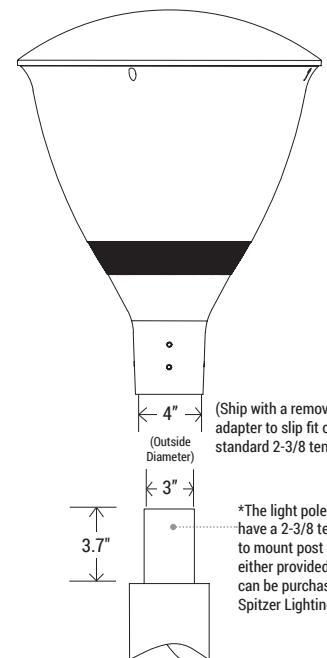
DIMENSIONS



PTU-N (Narrow Post Top)
EPA: 1.3 ft² / Weight 16lbs



PTU-W (Wide Post Top)
EPA: 1.4 ft² / Weight 17lbs



(Ship with a removable adapter to slip fit onto a standard 2-3/8 tenon)

*The light pole will need to have a 2-3/8 tenon in order to mount post top, it is either provided by other or can be purchased through Spitzer Lighting.

Applicable for both fixtures

URBAN

Architectural Post Top Urban

MODEL NO.	TYPE	PROJECT/DATE
-----------	------	--------------

ORDERING INFORMATION

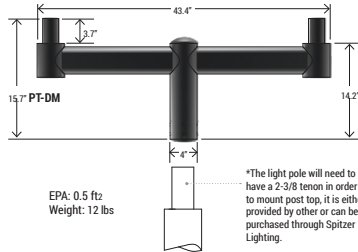
*Additional cost and/or lead time on customized fixtures may apply.

<input type="text"/>	-	<input type="text"/>	-	<input type="text"/>	-	<input type="text"/>	-	<input type="text"/>	-	<input type="text"/>	-	<input type="text"/>
Series	Size	Lumen Package	Input Voltage	CCT	Lens and Diffusor Type	Control	Finish					
PTU - (Post Top Urban)	W - (Wide) N - (Narrow)	80L - (8000LM) 40L - (4000LM)	U - (120-277V)	30K - 3000K 40K - 4000K	C5 - (Type V with Clear PC diffusor) F5 - (Type V with Frosted PC diffusor)*	C1 - (On/Off with 0-10V Driver No Dimming Wires) C2 - (7-Pin Receptacle with Short Cap)* C3 - (7-Pin Receptacle with Photocell)* CMM - (0-10V Bi-Level Microwave Motion Sensor)*	BK - Matte Black DB - Dark Bronze SG - Silver Gray WH - Matte White PG - Pine Green* CB - Corten Brown*					

AVAILABLE ACCESSORIES



PTU-N-HSS
HOUSE SIDE SHIELD (ONLY AVAILABLE FOR PTU-N)



PT-DM-BK/DB/SG/WH
PRE-WIRED POST TOP DUAL MOUNT BRACKET

EPA: 0.5 ftz
Weight: 12 lbs

*The light pole will need to have a 2-3/8 tenon in order to mount post top, it is either provided by other or can be purchased through Spitzer Lighting.

*Accessories

- PTU-N-HSS - House side shield (only available for PTU-N)
- PTU-CPP - Pre-install 0-10V dimming wires
- PT-DM-BK/DB/SG/WH/PG/CB - Pre wired post top dual mount bracket
- RC100 - (For use with CMM)

*Available accessories sold separately

FINISH REFERENCE

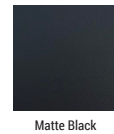
Standard



Dark Bronze



Silver Gray



Matte Black

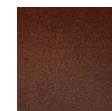


Matte White

Premium



Pine Green*



Corten Brown*

SPECIFICATIONS

CONSTRUCTION

Rugged die-cast aluminum housing with a tubular silicone gasket for long-lasting protection.

FINISH

Zinc-infused TGIC thermoset powder coat multi-stage process finish that provides superior resistance to corrosion and weathering.

OPTICS

Narrow or Wide PC clear or frosted impact proof polycarbonate diffusor lens with deep frosted diffusor over the LED engine

ELECTRICAL

Long life LED system, Outdoor rated Class 2 constant current 0-10V dimmable driver, Line voltage 120-277Vac with multiple lighting control options.

VALIDATIONS

ETL & cETL wet location Listed, IP65 and IK08 rated, FCC & RoHS compliant

MOUNTING

Post-top configuration with optional dual post mount with (PT-DM) bracket fits into a 2-3/8" tenon.