

| MODEL NO. | TYPE | PROJECT/DATE |
|-----------|------|--------------|
|-----------|------|--------------|

### KEY FEATURES

- Factory installed future proof sensor receptacle for plug and play Bi-level PIR occupancy sensor
- Factory installed emergency driver with integrated test switch on the flange
- Field changeable three lumen output and 35/40/50K CCT

### TECHNICAL SUMMARY

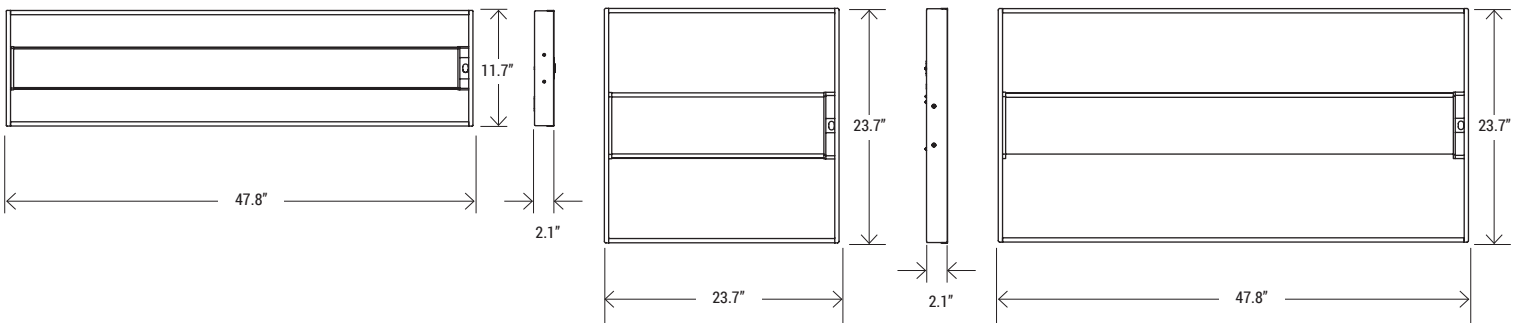
|                   |  |
|-------------------|--|
| SIZE:             | 1'x4', 2'x2', 2'x4'  |
| WATTAGE:          | 28W/20W/17W/14W (1x4 and 2X2); 41W/34W/28W/20W(2X4)  |
| LUMEN*/EFFICACY   | 3800LM/2800LM/2400LM/2000LM (1X4)<br>3800LM/2800LM/2400LM/2000LM (2X2)<br>6400LM/5200LM/4600LM/3300LM (2X4)<br>up to 133LM/W |
| INPUT VOLTAGE     | 120-277Vac   |
| AVAILABLE CCT/CRI | 30K/35K/40K/50K/65K changeable CRI >80   |
| CONTROL           | 0-10V (10%), Optional plug and play Bi-level PIR occupancy sensor  |
| VALIDATIONS       | UL & cUL damp location listed, IC rated, FCC compliant, RoHS compliant, DLC Premium Listed                                   |
| LIFETIME          | L70>75,000 hours, 5 year warranty  |
| OPERATION TEMP.   | -4°F ~ 104°F (AC) / 30°F ~ 104°F (with EM)   |
| FINISH            | White  |



\*Delivered lumen may vary, refer to photometric for full performance data



### DIMENSIONS



**TT14**  
10 lbs  
w/ EM: 12 lbs

**TT22**  
8 lbs  
w/ EM: 10 lbs

**TT24**  
13 lbs  
w/ EM: 15 lbs

|           |      |              |
|-----------|------|--------------|
| MODEL NO. | TYPE | PROJECT/DATE |
|-----------|------|--------------|

### ORDERING INFORMATION

\*Additional cost and/or lead time on customized fixtures may apply.

|        | -            |                                | -                |  | -  |   | - |  | - |  | - |  |
|--------|--------------|--------------------------------|------------------|--|--|---|---|--|---|--|---|--|
| Series | Size         | Lumen Package                  | Input Voltage    | CCT                                      | Control  | EM Option                                     |   |  |   |  |   |  |
| TT     | 14 - (1'x4') | 38LC - (3800/2800/2400/2000LM) | U - (120-277Vac) | 5CC - (30/35/40/50/65K Color Changeable) | C1R - (0-10V 10% dimming with sensor receptacle)<br>CMP - (0-10V Bi-Level PIR Occupancy Sensor)* | EM15 - (15W Factory Installed Integrated EM)* |   |  |   |  |   |  |
|        | 22 - (2'x2') | 38LC - (3800/2800/2400/2000LM) |                  |  |  |   |   |  |   |  |   |  |
|        | 24 - (2'x4') | 64LC - (6400/5200/4600/3300LM) |                  |  |  |   |   |  |   |  |   |  |

### \*AVAILABLE ACCESSORIES: (SOLD SEPARATELY)



- BP-RMK-1x4**  
1x4 Drywall Recessed mount kit
- BP-RMK-2x2**  
2x2 Drywall Recessed mount kit
- BP-RMK-2x4**  
2x4 Drywall Recessed mount kit



- TT-CMKW-1x4**  
1x4 Ceiling mount kit
- TT-CMKW-2x2**  
2x2 Ceiling mount kit
- TT-CMKW-2x4**  
2x4 Ceiling mount kit

### \*Accessories

- CMP** - (0-10V Bi-Level PIR Occupancy Sensor)
- RC-100** - Wireless Sensor Programmer
- BP-RMK-1x4/BP-RMK-2x2/BP-RMK-2x4** - Drywall Recessed mount kit
- TT-CMKW-1x4/TT-CMKW-2x2/TT-CMKW-2x4** - Ceiling mount kit
- MCF-185-6F** - 6ft 5-core metal-clad flex whip
- MCF-185-XF** - Custom length 5-core metal-clad flex whip
- MCF-186-6F** - 6ft 6-core metal-clad flex whip
- MCF-185-XF** - Custom length 6-core metal-clad flex whip

\*Available accessories sold separately

### SPECIFICATIONS

#### CONSTRUCTION

Shallow 2.1" rugged cold-rolled steel frame with future proof sensor receptacle pre-embedded on flange.

#### FINISH

Powder coated in high gloss durable white finish.

#### OPTICS/DIFFUSER

Frosted PC lens

#### MOUNTING

Drop ceiling lay-in, Dry wall ceiling recessed via flange kit.

#### ELECTRICAL

30K/35K/40K/50K/65K field changeable CCT LED, 120-277Vac driver with adjustable output lumen and standard 0-10V dimmable with 12V auxiliary output for sensor.

#### VALIDATIONS

UL & cUL Listed for damp location, IC rated, FCC, RoHS compliant, DLC Premium listed  
(Not all product variations listed on this page are DLC qualified. Visit <https://www.designlights.org/qpl> to confirm qualification.)



DLC Listed  
Visit <https://www.designlights.org/qpl> to confirm qualification.)

| SPITZER MODEL NUMBER | DLC PRODUCT ID |
|----------------------|----------------|
| TT-22-LC-U-CC        | S-MG1UCP       |
| TT-24-LC-U-CC        | S-L38PZ5       |