

SOL & SOL BEZEL

Architectural Round Luminaire

MODEL NO.	TYPE	PROJECT/DATE
-----------	------	--------------

KEY FEATURES

- Stunningly designed round low profile 2.2" (Sol) and 3" (Sol Bezel) aluminum luminaire
- Frosted diffuser & micro prismatic lens delivers a low-glare visual comforting direct & indirect illumination
- Standard 90CRI and 0-10V dim to 1% lighting control and a 3-SDCM color consistency
- Bezel version offer a sharp regressed edge provides a refined elegance
- Multiple color housing finish options to meet any design application

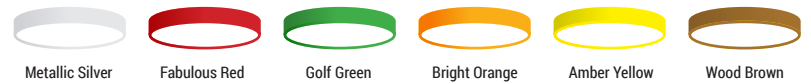
TECHNICAL SUMMARY

SIZE:	Standard OD: 1.5' (D45), 2' (D60), 2.5' (D75), 3' (D90), 4' (D120)
WATTAGE:	30W/40W/50W/60W/80W/100W/120W/150W
LUMEN/EFFICACY	3000/4000/6000/8000/10000/12000/15000LM, 100LM/W
INPUT VOLTAGE	120-277Vac
AVAILABLE CCT/CRI	35/40K changeable, Optional: dedicated 27K, 30K, 35K, or 40K, 27K - 40K tunable white via Lutron Athena, CRI > 90
CONTROL	0-10V dimming, dim to 1% to off standard, Lutron Athena Wireless control*
VALIDATIONS	ETL and cETL damp location listed, FCC compliant, RoHS
LIFETIME	L90>50,000 hours, 5 year warranty
OPERATION TEMP.	-5°F ~ 104°F / 34°F ~ 104°F(With Emergency)
FINISH	Matte white & black standard. Optional: metallic silver, fabulous red, golf green, bright orange, amber yellow, wood brown

*Delivered lumen may vary, refer to photometric for full performance data

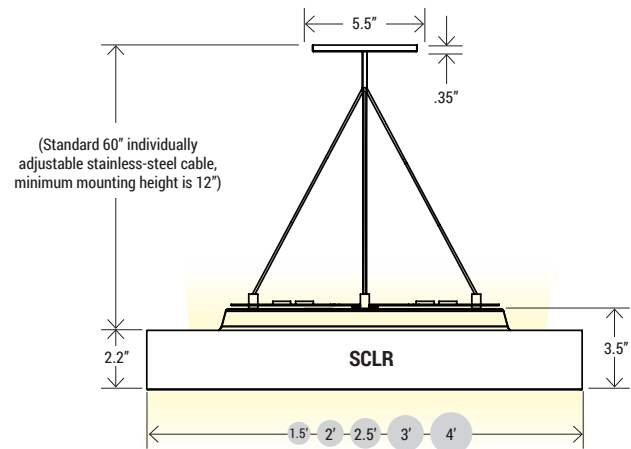
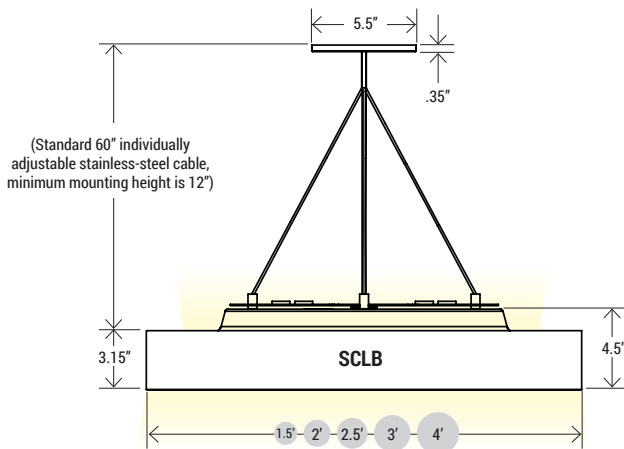


Available Finish



DIMENSIONS

MODEL #	D45	D60	D75	D90	D120
SCLR	11 lbs	13 lbs	27 lbs	29 lbs	45 lbs
SCLB	12 lbs	14 lbs	28 lbs	30 lbs	46 lbs



SOL & SOL BEZEL

Architectural Round Luminaire

MODEL NO.	TYPE	PROJECT/DATE
-----------	------	--------------

ORDERING INFORMATION

*Additional cost and/or lead time on customized fixtures may apply.



Series	Size	Lumen Package	Input Voltage	CCT	Light Distribution	Control	Finish	Mounting
SCLR (SOL)	D45 - (1.5')	30L - (3000LM)	U - 120-277Vac	CC - (35/40K Color Changeable) 27K - (27K)* 30K - (30K)* 35K - (35K)* 40K - (40K)* TW - (27K - 40K CCT Tunable, A3 Only)*	DI - (Direct and indirect) DO - (Direct only)	C11 - (0-10V 1% Dimming) CA1 - (0-10V with Athena Wireless Node)* CA2 - (0-10V with Athena Wireless Bi-Level Occupancy & Daylight Sensor)* CMP - (0-10V Bi-Level PIR Occupancy Sensor)* A1 - (Athena Wireless Dimming w/D4I Driver)* A2 - (Athena with Bi-Level Occupancy & Daylight Sensor w/D4I Driver)* A3 - (Athena Tunable White w/D4I Driver)*	BK - (Matte Black) WH - (Matte White) ME - (Metallic Silver)** RD - (Fabulous Red)** GR - (Golf Green)** OR - (Bright Orange)** YL - (Amber Yellow)** WB - (Wood Brown)**	S - (Suspended Mount) C - (Ceiling Surface Mount) P - (Stem Pendant Mount)
		40L - (4000LM)						
	D60 - (2')	40L - (4000LM)						
		60L - (6000LM)						
	D75 - (2.5')	60L - (6000LM)						
		80L - (8000LM)						
SCLB (SOL BEZEL)	D90 - (3')	80L - (8000LM)						
		100L - (10000LM)						
	D120 - (4')	100L - (10000LM)						
		120L - (12000LM)						
	150L - (15000LM)							

(Made to order)**

*AVAILABLE ACCESSORIES: (SOLD SEPARATELY)



MFR4
4" IC Fire Rated Metallic
Electrical J-box housing

*Accessories

- MFR4** - 4" Fire rated metallic electrical j-box housing
 - SP-EM40-AC-C** - Field installed 40W IP65 inverter
 - SOL-S-10F-xx***** - Adjustable 10ft aircraft cables with cable grippers, 5 cord AC suspension kit for Sol & Sol Bezel
 - SOL-S-12F-xx***** - Adjustable 12ft aircraft cables with cable grippers, 5 cord AC suspension kit for Sol & Sol Bezel
 - SOL-P-5F-xx***** - 5ft 3/4" stem (5 x 12inch length each) pendant with swivel canopy for kit for slope or regular ceiling
 - SOL-P-8F-xx***** - 8ft 3/4" stem (8 x 12inch length each) pendant with swivel canopy for kit for slope or regular ceiling
- ****Select canopy color from the finishes that are available

*Lutron Athena wireless processor or Clear Connect gateway - Type X is required to operate an Athena wireless node in an Athena control system via a simple setup process using an iOS® or Android® compatible app. Refer to Lutron Athena spec for details.

*EM is not available for Lutron Athena wireless control option.

*A2 is not available for SCLB.

SPECIFICATIONS

CONSTRUCTION

Low profile extruded aluminum housing with 18 gauge steel mounting plate, Bezel version comes with a sophisticated aesthetic regress edge.

FINISH

Matte white & black standard. Optional: metallic silver, fabulous red, golf green, bright orange, amber yellow, custom.

OPTICS/DIFFUSER

Deep frosted acrylic diffuser with low-glare micro-prismatic lens.

ELECTRICAL

Class 2, 120-277Vac, 0-10V 1% flicker-free driver, long life 27K/30K/35/40K CCT changeable direct/indirect LED engine. Indirect can be switch off in field.

MOUNTING

Pendant or surface.

VALIDATIONS

ETL and cETL damp location listed, FCC, RoHS

SOL & SOL BEZEL





Architectural Round Luminaire

MODEL NO.	TYPE	PROJECT/DATE
-----------	------	--------------



Athena

An uncompromising solution. The Athena lighting control system empowers architects, lighting designers, electrical engineers, and facility managers with a native network of lighting, lighting controls, shades, and cloud-connected software that deliver exceptional experiences and building management.

	<p>A-WN-D01-RF-WH Plenum rated and can be installed above the ceiling for wireless control of a fixture without any impact on fixture aesthetics.</p>
	<p>A-WN-D01-RF-BK Plenum rated and can be installed above the ceiling for wireless control of a fixture without any impact on fixture aesthetics.</p>
	<p>A-WN-D01-OCC-WH Provides wireless control of the fixture and includes a passive infrared (PIR) sensor for occupancy and a daylight sensor.</p>
	<p>A-WN-D01-OCC-BK Provides wireless control of the fixture and includes a passive infrared (PIR) sensor for occupancy and a daylight sensor.</p>

