

MODEL NO.	TYPE	PROJECT/DATE
-----------	------	--------------

### KEY FEATURES

- Strikingly designed modern form projector ideal for illuminating landscapes and architectural details
- Modular optic design to provide excellent cut off control minimize glare and light trespassing
- Numerous beam angle and versatile mounting options for flood and accent lighting

### TECHNICAL SUMMARY

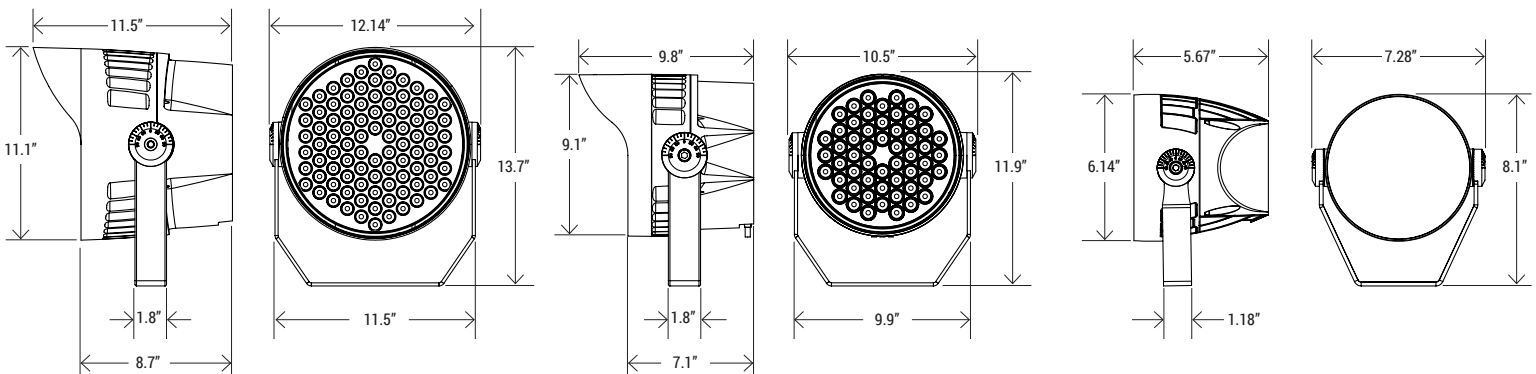
SIZE:	S - Small, M-Medium, L-Large
WATTAGE:	S: up to 30W, M: up to 100W, L: up to 180W
LUMEN/EFFICACY	S: up to 3700LM, M: up to 14000LM, L: up to 25000LM, >100LM/W
INPUT VOLTAGE	120-277Vac
AVAILABLE CCT/CRI	3000K, 4000K, 5000K, Custom, 80CRI standard
CONTROL	On/off with 0-10V dimmable driver
VALIDATIONS	ETL & cETL wet location listed, IP66 and IK08 rated, FCC, RoHS
LIFETIME	Projected L90 > 50,000 hours, 5 year warranty
DISTRIBUTION	4, 20, 30 and 60 degree beam angle
SURGE PROTECTION	10Kv/5Ka
OPERATION TEMP.	(-40°F ~ 122°F)



\*Delivered lumen may vary, refer to photometric for full performance data. Refer to the lumen output chart



### DIMENSIONS



**RAY-L (Trunnion)**  
EPA: 1.0 ft<sup>2</sup>  
Weight: 23 lbs

**RAY-M (Trunnion)**  
EPA: 0.6 ft<sup>2</sup>  
Weight: 14 lbs

**RAY-S (Trunnion)**  
EPA: 0.45 ft<sup>2</sup>  
Weight: 6 lbs

MODEL NO.	TYPE	PROJECT/DATE
-----------	------	--------------

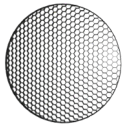
### ORDERING INFORMATION

\*Additional cost and/or lead time on customized fixtures may apply.

[ ]	-	[ ]	-	[ ]	-	[ ]	-	[ ]	-	[ ]	-	[ ]	-	[ ]
Series	Size	Lumen Package	Input Voltage	CCT	Light Distribution	Control	Mounting	Finish						
RAY	S	HO - (3700LM/30W)	U - (120-277V)	30K - (30K) 40K - (40K) 50K - (50K)	04D - (4°) 20D - (20°) 30D - (30°) 60D - (60°)	C1 - (On/Off with 0-10V Driver No Dimming Wires) X1 - (DMX RDM Dimming Control)	TR - (Trunnion)	BK - (Matte Black) DB - (Dark Bronze) WH - (Matte White)						
	M	HO - (14000lm/100W)												
	L	HO - (25000lm/180W)												

### \*AVAILABLE ACCESSORIES: (SOLD SEPARATELY)

#### \*Accessories



RAY-L-HC  
RAY-M-HC  
RAY-S-HC  
Honeycomb grill



RAY-L-SN  
RAY-M-SN  
RAY-S-SN  
Snoot



RAY-S-PMB  
Pole mount bracket



RAY-S-VS  
Visor



RAY-S-TB  
Tree bracket A



RAY-S-STK  
Stake mount

- RAY-L-HC - Honeycomb grill for RAY-L
- RAY-M-HC - Honeycomb grill for RAY-M
- RAY-S-HC - Honeycomb grill for RAY-S
- RAY-L-SN - Snoot for RAY-L
- RAY-M-SN - Snoot for RAY-M
- RAY-S-SN - Snoot for RAY-S
- RAY-S-PMB - Pole mount bracket for RAY-S
- RAY-S-VS - Visor for RAY-S
- RAY-S-TB - Tree bracket A for RAY-S
- RAY-S-STK - Stake mount for RAY-S

\*Available accessories sold separately, please refer next page for details

### SPECIFICATIONS

#### CONSTRUCTION

Die-cast aluminum housing with integral heat sink to optimize thermal management. Integral driver can be disconnected via quick connector for easy maintenance.

#### FINISH

Thermoset powder coat multi-stage process finish that provides corrosion resistance and can withstand extreme climate changes without cracking. Available in Dark bronze, Black and white.

#### OPTICS/DIFFUSER

Injection molded modular PC TIR (Total Internal Reflection) spot optic that can provides 4, 20, 30 and 60 degree beam angle, Snoot and Honeycomb diffuser option available.

#### ELECTRICAL

High-power long-life standard 80CRI 5050 SMD with outdoor rated 120-277Vac 0-10V dimmable driver with over temperature, over voltage and short circuit protection.

#### MOUNTING

Trunnion, slipfitter

#### VALIDATIONS

ETL & cETL wet location listed, IP66 and IK08 rated, FCC, RoHS

# RAY

## Round Architectural Outdoor Projector

MODEL NO.	TYPE	PROJECT/DATE
-----------	------	--------------

### LUMEN OUTPUT CHART (Based on 5000k, 80 CRI)

BEAM	RAY - SMALL		RAY - MEDIUM		RAY - LARGE	
4D	2,858 LM	28W	7,971 LM	82W	11,689 LM	122W
20D	3,759 LM	26W	13,900 LM	102W	25,134 LM	184W
40D	3,746 LM	26W	13,031 LM	98W	25,078 LM	184W
60D	2,110 LM	20W	9,054 LM	102W	15,678 LM	186W