

# NANO

## Architectural Post Top Luminaire

MODEL NO.	TYPE	PROJECT/DATE
-----------	------	--------------

### KEY FEATURES

- Modern form design makes it ideal in architectural outdoor environment application
- Solite diffuser provide soft glow and visual comfort at night with zero up-light
- Single-piece die-cast aluminum housing rated for IP65 and IK08

### TECHNICAL SUMMARY

WATTAGE:	40W, 30W, 25W
LUMEN/EFFICACY*	Available in factory pre-set 6000LM/40W, 5000LM/30W, 4000LM/25W or custom, 150LM/W
INPUT VOLTAGE	120-277Vac
AVAILABLE CCT/CRI	Available in factory pre-set 3000K, 4000K and 5000K or custom, 80CRI
CONTROL	On/off with 0-10V driver no dimming wires Bi-level microwave motion sensor 7-pin receptacle with photocell
VALIDATIONS	ETL & cETL wet location Listed, IP65 and IK08 rated, DLC premium listed, DLC Luna listed, IDA dark sky compliant, FCC, RoHS
LIFETIME	L70>100,000 hours, 5 year warranty
DISTRIBUTION & DIFFUSION	Type V general distribution with solite glass diffuser
SURGE PROTECTION	10Kv/5Ka
OPERATION TEMP.	-40°F ~ 122°F
FINISH	Standard: Dark Bronze, Silver Gray, Matte Black, Matte White Premium: Pine Green, Corten Brown



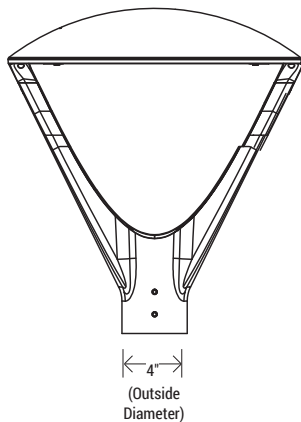
**PTN SM**  
(Solo Post Top)

**PTN PM**  
(Post Top)

\*Delivered lumen may vary, refer to photometric for full performance data

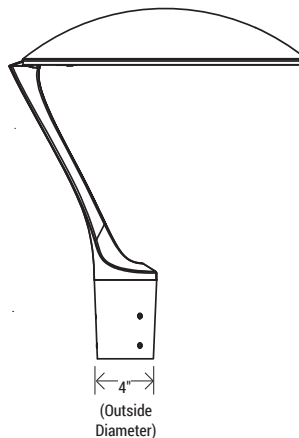


### DIMENSIONS



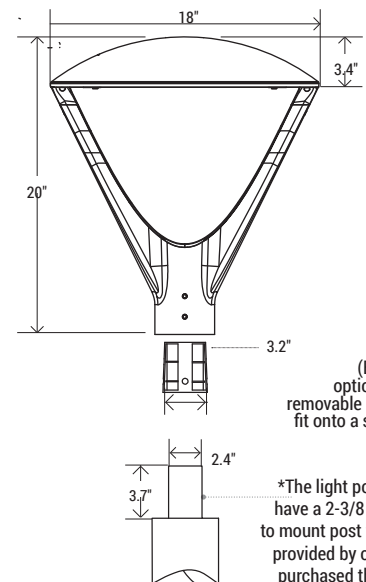
**PTN PM (Post Top)**

EPA: 0.5 ft<sup>2</sup> / Weight: 20 lbs



**PTN SM (Solo Post Top)**

EPA: 0.45 ft<sup>2</sup> / Weight: 18 lbs



(Both Mounting options ship with a removable adapter to slip fit onto a standard 2-3/8 tenon)

\*The light pole will need to have a 2-3/8 tenon in order to mount post top, it is either provided by other or can be purchased through Spitzer Lighting

# NANO

## Architectural Post Top Luminaire

MODEL NO.	TYPE	PROJECT/DATE
-----------	------	--------------

### ORDERING INFORMATION

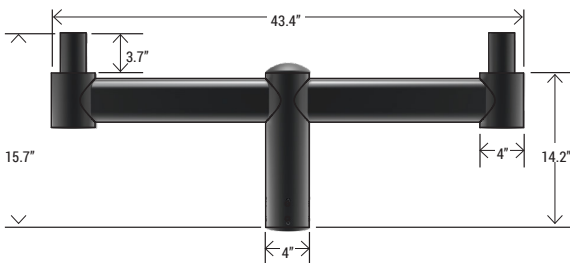
\*Additional cost and/or lead time on customized fixtures may apply.

Series	Lumen Package	Input Voltage	CCT	Light Distribution	Lens & Diffuser Type	Control	Finish	Mounting
<b>PTN</b>	<b>60L</b> - (6000LM) <b>50L</b> - (5000LM) <b>40L</b> - (4000LM)	<b>U</b> - (120-277Vac)	<b>30K</b> - (3000K) <b>40K</b> - (4000K) <b>50K</b> - (5000K)	<b>T5</b> - (Type V)	<b>FR</b> - (Solite lens)	<b>C1</b> - (On/Off with 0-10V Driver No Dimming Wires) <b>C2</b> - (7-Pin Receptacle with Short Cap)* <b>C3</b> - (7-Pin Receptacle with Photocell)* <b>CMM</b> - (0-10V Bi-Level Microwave Motion Sensor)*	<b>BK</b> - Matte Black <b>DB</b> - Dark Bronze <b>SG</b> - Silver Gray <b>WH</b> - Matte White <b>PG</b> - Pine Green* <b>CB</b> - Corten Brown*	<b>PM</b> - (Post top) <b>SM</b> - (Solo Post top)

### \*AVAILABLE ACCESSORIES:

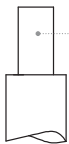


PTN-HSS



PT-DM

EPA: 0.5 ft<sup>2</sup>  
Weight: 12 lbs



\*The light pole will need to have a 2-3/8\"/>

### \*Accessories

**PT-DM-BK/DB/SG/WH/PG/CB** - Pre-wired post top dual mount bracket

**PTN-HSS-BK/DB/SG/WH/PG/CB** - House side shield

**PTN-CPP** - Pre-install 0-10V dimming wires

\*Available accessories sold separately

### FINISH REFERENCE

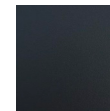
#### Standard



Dark Bronze



Silver Gray



Matte Black

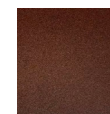


Matte White

#### Premium



Pine Green\*



Corten Brown\*

### SPECIFICATIONS

#### CONSTRUCTION

Die-cast aluminum housing with a impact proof solite diffused glass Lens is fully gasketed with tubular silicone gasket.

#### FINISH

Exterior parts are protected by a rust and corrosion proof zinc-infused polyester powder coating.

#### OPTICS/DIFFUSER

Optical lenses are clear injection PC molded with solite diffused glass diffuser lens output a Type V distribution.

#### ELECTRICAL

Factory pre-set 30/40/50K changeable and three lumen output LED system, Outdoor rated Class 2 constant current 0-10V dimmable driver, Line voltage 120-277Vac, Motion sensor and photocell option available.

#### MOUNTING

Post-top (PM) & solo post-top (SM) configuration with optional dual post mount with (PT-DM) bracket fits into a 2-3/8\"/>

#### VALIDATIONS

ETL & cETL wet location Listed, IP65 and IK08 rated, DLC premium listed, DLC Luna listed, IDA dark sky compliant, FCC, RoHS

# NANO

## Architectural Post Top Luminaire

MODEL NO.	TYPE	PROJECT/DATE
-----------	------	--------------



DLC Listed  
Visit <https://www.designlights.org/qpl> to confirm qualification.)

SPITZER MODEL NUMBER	DLC PRODUCT ID
PTN-60L-U-30K-T5-FR-[C1,C2,C3,C4]-[BK,DB,SG,WH]-PM	S-3934LG
PTN-50L-U-40K-T5-FR-[C1,C2,C3,C4]-[BK,DB,SG,WH]-PM	S-LX674Q
PTN-50L-U-50K-T5-FR-[C1,C2,C3,C4]-[BK,DB,SG,WH]-PM	S-2K32H7
PTN-50L-U-30K-T5-FR-[C1,C2,C3,C4]-[BK,DB,SG,WH]-PM	S-GY6ZWW
PTN-60L-U-40K-T5-FR-[C1,C2,C3,C4]-[BK,DB,SG,WH]-PM	S-HT7WCW
PTN-60L-U-50K-T5-FR-[C1,C2,C3,C4]-[BK,DB,SG,WH]-PM	S-4210B5