

MODEL NO.	TYPE	PROJECT/DATE
-----------	------	--------------

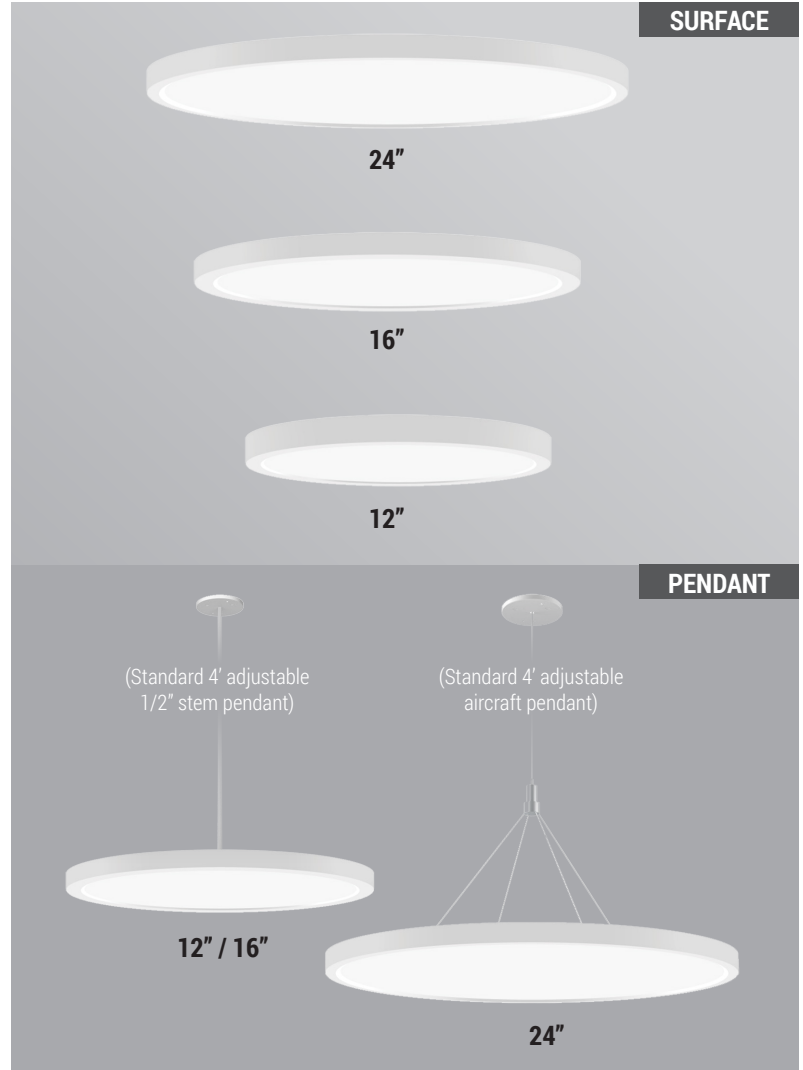
### KEY FEATURES

- Slim minimalistic designed large aperture luminaire
- Available for pendant and surface mount application
- CCT changeable with unobtrusive edge-lite illumination

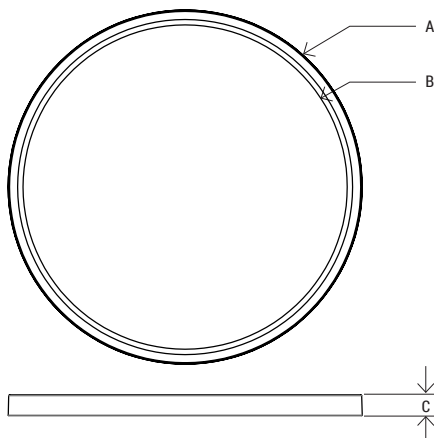
### TECHNICAL SUMMARY

SIZE:	12", 16", 24"
WATTAGE:	15W (12"), 25W (16"), 40W (24")
LUMEN*	1200LM (12"), 2000LM (16"), 3200LM (24")
EFFICACY	80LM/W
INPUT VOLTAGE	120-277Vac
AVAILABLE CCT	2700K/3000K/3500K/4000K/5000K Color changeable
CRI	90CRI
CONTROL	Triac @ 120V
VALIDATIONS	ETL damp location listed, FCC, RoHS compliant
LIFETIME	L70>54,000 hours, 5 year warranty
OPERATION TEMP.	32°F ~ 104°F
MOUNTING	Surface, Pendant
FINISH	White, Black

\*Delivered lumen may vary, refer to photometric for full performance data



### DIMENSIONS



Model No.	A	B	C	WEIGHT
ELR-12	11.5"	10.2"	.94"	2 lbs
ELR-16	15.6"	14.3"	.94"	3 lbs
ELR-24	23.6"	21.87"	1"	8 lbs

MODEL NO.	TYPE	PROJECT/DATE
-----------	------	--------------

### ORDERING INFORMATION

\*Additional cost and/or lead time on customized fixtures may apply.



Series	Size	Lumen Package*	Voltage	CCT*	Mounting	Finish
ELR	12 - 12"	12L - 1200LM/15W	U - 120-277Vac	5CC - 27K/30K/35K/40K/50K	S - Surface P - Pendant	WH - White BK - Black
	16 - 16"	20L - 2000LM/25W				
	24 - 24"	32L - 3200LM/40W				

### \*AVAILABLE ACCESSORIES: (SOLD SEPARATELY)



MFR4  
4" IC Fire Rated Metallic  
Electrical J-box housing

#### \*Accessories

**MFR4** - 4" Fire rated metallic electrical j-box housing

### SPECIFICATIONS

#### CONSTRUCTION

Damp location rated non-conductive PC housing with unobtrusive, less than 1" deep profile solid ring, integrated aluminum heat sink.

#### FINISH

White

#### OPTICS/DIFFUSER

Edge-lit with acrylic (PMMA) light guides plate combined with diffusing lens conceals the LEDs from direct view and provides uniform lens luminance.

#### ELECTRICAL

Class 2, constant current, 120-277V, 50-60 HZ, 0.95Amp@100V. Triac dimming circuit. Lumen maintenance is L70 >50,000 hours.

#### MOUNTING

Surface, Pendant (rod pendant for 12"/16", cable pendant for 24"). Surface mount directly to an industry standard 4" metal or plastic octagon junction box with 3-1/2" junction box screw-hole spacing. Luminaire provided with leads for direct wire connection in junction box.

#### VALIDATIONS

ETL damp location listed, FCC, RoHS compliant