

MODEL NO.	TYPE	PROJECT/DATE
-----------	------	--------------

### KEY FEATURES

- Elegantly designed with visual-comfortable illumination performance
- Type III, Type V or fully luminated frosted diffused options available
- IP65 rated engine and driver compartment with IK08 Vandal resistant lens and housing
- Optional -20C cold weather rated emergency battery backup driver

### TECHNICAL SUMMARY

SIZE:	42" Overall height standard, 36" Overall height optional
WATTAGE:	20/16/12/8W
LUMEN/EFFICACY*	2400/2000/1400/950LM, 120LM/W
INPUT VOLTAGE	120-277Vac
AVAILABLE CCT/CRI	30/40/50K changeable, MTO: 2700K, 3500K, AMK (True Amber), PMK (2200K) / 80+CRI standard
CONTROL	On/off with 0-10V driver no dimming wires, On/Off Button Integrated Photocell optional, 0-10V Bi-level PIR occupancy sensor optional
VALIDATIONS	ETL & cETL wet location listed, IP65 and IK08 rated, IDA dark sky compliant (T3/T5 with black finish only), FCC compliant
LIFETIME	L70>100,000 hours, 5 year warranty
DISTRIBUTION	Type III, Type V, General Type V with single-piece extruded frosted PC diffuser
OPERATION TEMP.	-40°F ~ 122°F / -4°F ~ 122°F (with EM)
FINISH	Standard finish: Matte Black (BK), Dark Bronze (DB), Silver Gray (SG), Matte White (WH) Premium finish: Pine Green (PG), Corten Brown (CB) Premium Wood finishes: Walnut Wood (dark), Cherry Wood (brown), Oak Wood (light)



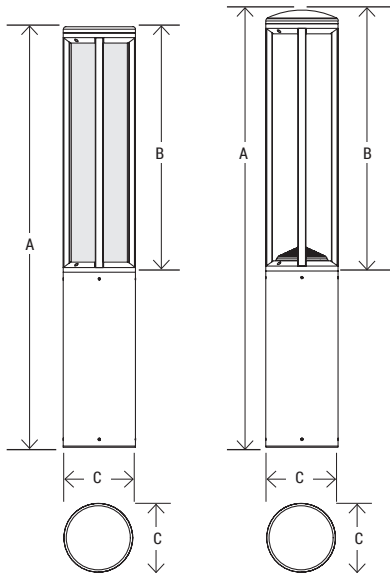
**F42**  
(Flat Top)

**C42**  
(Curve Top)

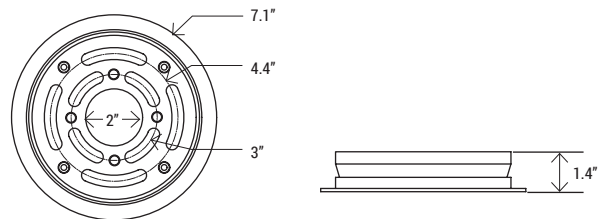
\*Delivered lumen may vary, refer to photometric for full performance data



### DIMENSIONS



Model No.	A HEIGHT	B HEAD	C DIAMETER	WEIGHT	
				T3/T5	G5
DOR-RB-F36	36"	25.2"	7.1"	10.5 lbs	13 lbs
DOR-RB-C36	37"	26"	7.1"		
DOR-RB-F42	43.5"	25.2"	7.1"	12 lbs	15 lbs
DOR-RB-C42	44.5"	26"	7.1"		



# DORIC

## Architectural Round Bollard

MODEL NO.	TYPE	PROJECT/DATE
-----------	------	--------------

### ORDERING INFORMATION

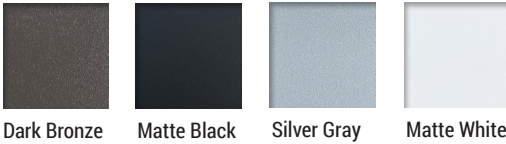
\*Additional cost and/or lead time on customized fixtures may apply.

<input type="text"/>	-	<input type="text"/>	-	<input type="text"/>	-	<input type="text"/>	-	<input type="text"/>	-	<input type="text"/>	-	<input type="text"/>	-	<input type="text"/>
Series	Style	Size	Lumen Package	Input Voltage	CCT	Light Distribution	Control	Finish	Wood Body Finish	EM Option				
<b>DOR</b>	<b>RB</b> - (Round Bollard)	<b>F36</b> - (Flat top 36" OAH) <b>F42</b> - (Flat top 42" OAH) <b>C36</b> - (Curve top 36" OAH) <b>C42</b> - (Curve top 42" OAH)	<b>24LC</b> - (2400/2000/1400/950LM)	<b>U</b> - (120-277V)	<b>CC</b> - (30K/40K/50K/Color Changeable - Default 40K) <b>27K</b> - (2700K)* <b>35K</b> - (3500K)* <b>AMK</b> - (Direct emit pure amber color with typical narrow 590nm color spectral with long wavelength)* <b>PMK</b> - (Phosphor layout converted amber color LED with typical 2000K spectral)*	<b>T5</b> - (Type V) <b>T3</b> - (Type III) <b>G5</b> - (General Type V with frosted PC diffuser)*	<b>C1</b> - (On/off with 0-10V driver no dimming wires) <b>C0P</b> - (On/Off button photocell)* <b>CMP</b> - (0-10V Bi-level PIR occupancy sensor)*	<b>BK</b> - (Matte Black) <b>DB</b> - (Dark Bronze) <b>SG</b> - (Silver Gray) <b>WH</b> - (Matte White) <b>PG</b> - (Pine Green)* <b>CB</b> - (Corten Brown)*	<b>WW</b> - (Walnut wood dark finish)* <b>BW</b> - (Cherry wood dark finish)* <b>OW</b> - (Oakwood dark finish)*	<b>EMC6</b> - (6W Factory Installed Cold Rated Integrated EM)*				

\*Available only for F42, C42

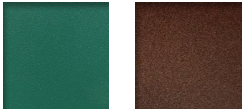
\*Available accessories sold separately

### STANDARD COLOR



Dark Bronze    Matte Black    Silver Gray    Matte White

### PREMIUM COLOR



Pine Green    Corten Brown

### PREMIUM HEAT-TRANSFER WOOD FILM BODY FINISH\*



**WW** Walnut wood dark finish  
**BW** Cherry wood brown finish  
**OW** Oakwood light finish

### \*Accessories

- BR-ANC** - Anchor base mounting kit (Required for installation, pre-ship option available)
- RC-100** - Sensor remote



**BR-ANC**

Anchor base mounting kit  
(Required for installation, pre-ship option available)

## SPECIFICATIONS

### CONSTRUCTION

Low copper aluminum alloy die-cast top with extruded aluminum body

### FINISH

Exterior parts are protected by a rust and corrosion proof zinc-infused polyester powder coating, optional hydrographic wood finish available.

### OPTICS/DIFFUSER

Injection molded optic with UV proof PC lens available in Type III or Type V distribution, Type V with extruded frosted PC Lens.

### ELECTRICAL

Long life LED system, Outdoor rated LED driver that accommodates input voltages of 120-277Vac at 50/60Hz with 0-10v dimming control function, CCT changeable.

### MOUNTING

Anchor based mounting (anchors sold separately)

### VALIDATIONS

ETL & cETL wet location listed, IP65 and IK08 rated, IDA dark sky compliant (T3/T5 with black finish only), FCC compliant