

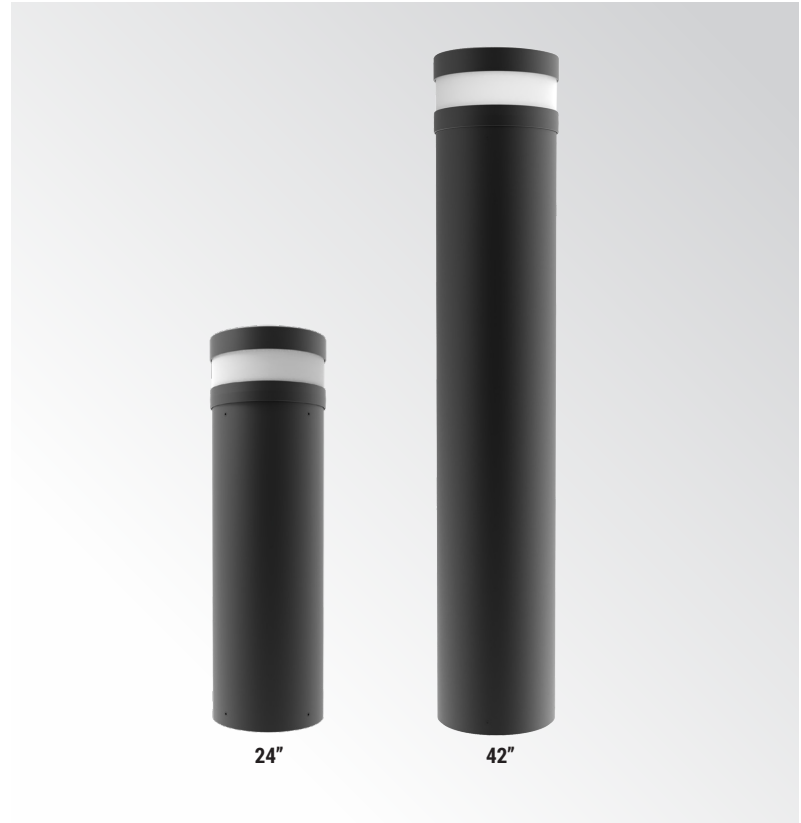
MODEL NO.	TYPE	PROJECT/DATE
-----------	------	--------------

### KEY FEATURES

- Elegantly designed with visual-comfortable illumination performance
- Impact proof IK10 rated PC lens with symmetrical distribution
- Optional -20°C emergency battery backup driver

### TECHNICAL SUMMARY

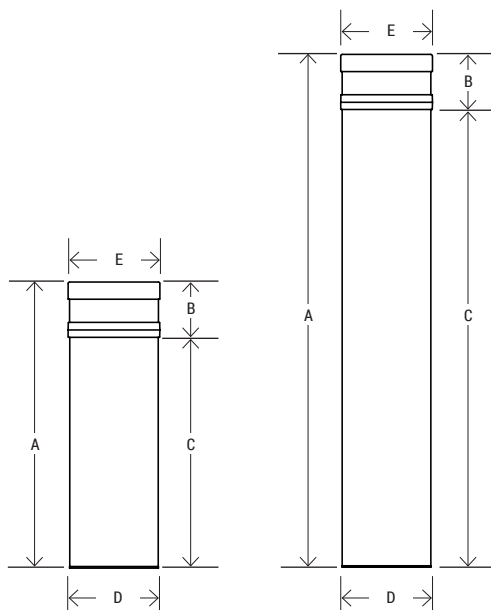
SIZE:	24" and 42" Overall height
WATTAGE:	20/16/12/8W
LUMEN/EFFICACY*	2000/1600/1200/800LM, 100 LM/W
INPUT VOLTAGE	120-277Vac
AVAILABLE CCT/CRI	30/40/50K changeable, 80+CRI, Custom
CONTROL	On/Off with 0-10V driver
VALIDATIONS	ETL & cETL wet location, IP65 and IK10 rated, RoHS, FCC compliant
LIFETIME	L70>100,000 hours, 5 year warranty
OPERATION TEMP.	-40°F ~ 122°F / -4°F ~ 122°F (with EM)
FINISH	Matte Black, Dark Bronze, Silver Gray, Matte White Premium finish: Pine Green, Corten Brown Premium Wood finishes: Walnut Wood (dark), Cherry Wood (brown), Oak Wood (light)



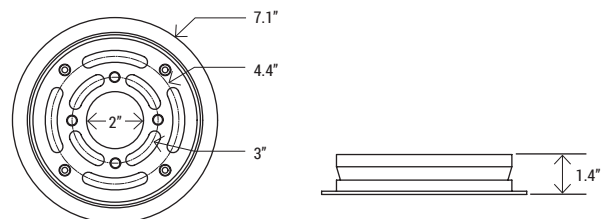
\*Delivered lumen may vary, refer to photometric for full performance data



### DIMENSIONS



Model No.	A HEIGHT	B HEAD	C BODY	D DIAMETER	E TOP HEAD	WEIGHT
BSC-24	24"	4.4"	18.6"	7.1"	7.3"	12 lbs
BSC-42	42"	4.4"	36.6"	7.1"	7.3"	16 lbs



# BRC

## Compact Round Bollard

MODEL NO.	TYPE	PROJECT/DATE
-----------	------	--------------

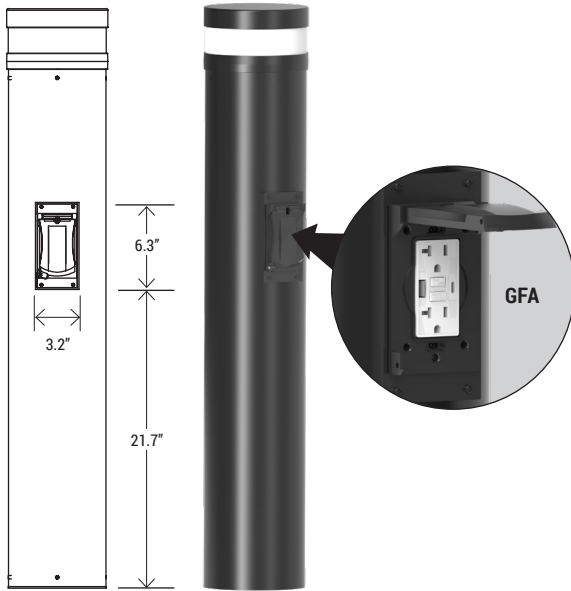
### ORDERING INFORMATION

\*Additional cost and/or lead time on customized fixtures may apply.

Series	Size	Lumen Package	Input Voltage	CCT	Light Distribution	Control	Finish	EM Option	Wood Body Finish	Misc & Other Options
<b>BRC</b>	<b>24 - (24")</b> <b>42 - (42")</b>	<b>20LC -</b> (2000/1600/ 1200/ 800LM)	<b>U - (120-277V)</b> <b>H** - (277V-480V)</b>	<b>CC - (30/40/50</b> Color Changeable)	<b>T5 - (Type V)</b>	<b>C1 - (On/Off</b> with 0-10V Driver No Dimming Wires) <b>COP - (On/Off</b> Button Integrat- ed Photocell)	<b>BK - (Matte Black)</b> <b>DB - (Dark Bronze)</b> <b>SG - (Silver Gray)</b> <b>WH - (Matte White)</b> <b>PG - (Pine Green)*</b> <b>CB - (Corten</b> Brown)*	<b>EMC6 - (6W</b> emergency option factory installed, cold-pack)	<b>WW - (Walnut</b> wood dark finish)* <b>BW - (Cherry</b> wood dark finish)* <b>OW - (Oak-</b> wood dark finish)*	<b>GFA -</b> (20amp GFCI with USB Type C)  <i>*120Vac only, 42 inch OAH only, C1 only, Wet location rated</i>

\*\*EM option not available

\*Available accessories sold separately

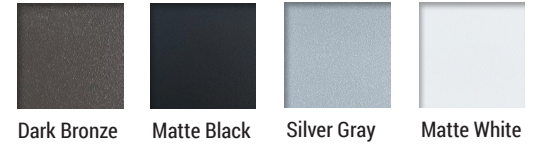


**BR-ANC**  
Anchor base mounting kit  
(Required for installation, pre-ship option available)

#### \*Accessories

**BR-ANC - Anchor base mounting kit**

#### STANDARD COLOR



#### PREMIUM COLOR



### SPECIFICATIONS

#### CONSTRUCTION

Low copper aluminum alloy die-cast top with extruded round aluminum body.

#### FINISH

Exterior parts are protected by a rust and corrosion proof zinc-infused polyester powder coating finish.

#### OPTICS/DIFFUSER

UV proof, IK10 rated PC lens with symmetrical distribution.

#### ELECTRICAL

Long life LED system, Outdoor rated LED driver that accommodates input voltages of 120-277Vac or 277-480Vac, at 50/60Hz with 0-10v dimming control function, CCT changeable.

#### MOUNTING

Anchor based mounting (anchors sold separately)

#### VALIDATIONS

ETL & cETL wet location, IP65 and IK10 rated, FCC compliant, RoHS compliant