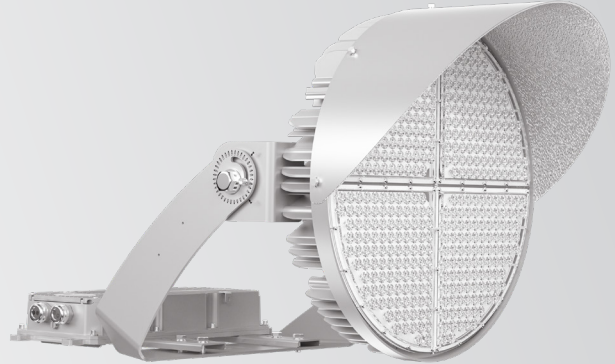


MODEL NO.	TYPE	PROJECT/DATE
-----------	------	--------------



ASA-S



ASA-L

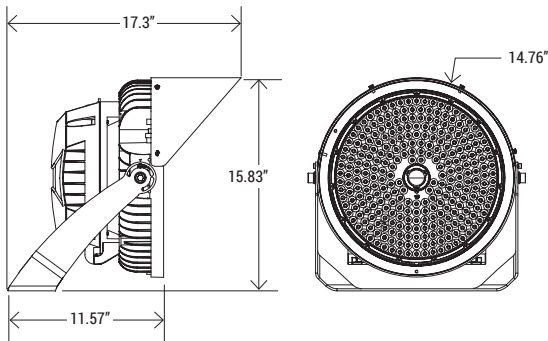
TECHNICAL SUMMARY

OUTPUT WATTAGE:	400/500/600W
OUTPUT LUMEN*	65,000LM/75,000LM/90,000LM
INPUT VOLTAGE	120-277Vac or 277-480Vac
AVAILABLE CCT & CRI	4000K, 5700K / >70CRI standard, >80 & >90 CRI optional
CONTROL	Wireless airmesh, D4I, 0-10V (dim to off)
VALIDATIONS	UL, cUL wet location listed, IP66 and IK10 rated, ANSI C136.31-2010 1.5G, FCC compliant, RoHS compliant
LIFETIME	L90>100,000 hours, 10-year warranty
DISTRIBUTION	(NEMA/Beam/Field): N33, N44, N45, N55
SURGE PROTECTION	40Kv/20Ka
OPERATION TEMP.	-40°F ~ 131°F

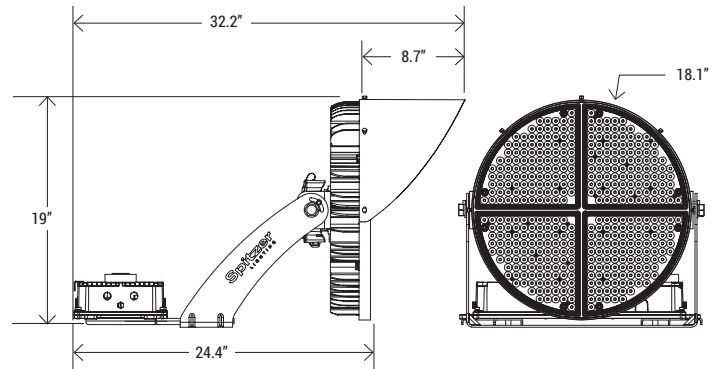
OUTPUT WATTAGE:	1000W/1250W
OUTPUT LUMEN*	150,000LM/180,000LM
INPUT VOLTAGE	120-277Vac or 277-480Vac
AVAILABLE CCT & CRI	4000K, 5700K / >70CRI standard, >80 & >90 CRI optional
CONTROL	Wireless airmesh, D4I, 0-10V (dim to off)
VALIDATIONS	UL, cUL wet location listed, IP66 and IK10 rated, ANSI C136.31-2010 1.5G, FCC compliant, RoHS compliant
LIFETIME	L90>100,000 hours, 10-year warranty
DISTRIBUTION	(NEMA/Beam/Field): N33, N44, N55
SURGE PROTECTION	40Kv/20Ka
OPERATION TEMP.	-40°F ~ 131°F

*Delivered lumen may vary, refer to photometric for full performance data

DIMENSIONS



ASA-S (Trunnion)
EPA: 1.48 ft² / Weight: 45 lbs



ASA-L (Trunnion)
EPA: 2.4 ft² / Weight: 60 lbs

MODEL NO.	TYPE	PROJECT/DATE
-----------	------	--------------

ORDERING INFORMATION

Series	Size	Lumen Package	Voltage	CCT*	Distribution*	Control	Driver Mounting	Mounting
ASA	S	650L - 65000LM, 400W 750L - 75000LM, 500W 900L - 90000LM, 600W	U - 120-277V H - 277-480V	40K - 4000K* 57K - 5700K	N33 (3Hx3V/15/32) N44 (4Hx4V/28/58) N45 (4Hx5V/37/70) N55 (5Hx5V/53/91)	C0 - On/Off C1 - Wireless	I - Integrated C - Carry-on	TR - Trunnion SF - Slipfitter
	L	1500L - 150,000LM, 1000W 1800L - 180,000LM, 1250W			N33 (3Hx3V/17/40) N44 (4Hx4V/25/62) N55 (5Hx5V/50/83)		C - Carry-on	TR - Trunnion
				* = made to order	* (NEMA/Beam Angle/Field Angle)			

SPECIFICATIONS

CONSTRUCTION

Single piece Cold-forged aluminum housing.

FINISH

Exterior parts are protected by a rust and corrosion proof zinc-infused, galvanized then finish with polyester powder coating.

OPTICS/DIFFUSER

Injection molded TIR (total internal reflection) diffused spot optic that provides symmetric and asymmetric distribution options.

ELECTRICAL

High-power P3737 SMD with silicone lens, IP67 programmable aluminum casing isolated driver with over temperature, over voltage & short circuit protection. 8-foot long SOW rated power cable included.

MOUNTING

Trunnion, slipfitter (via bracket for ASA-S, via adapter for ASA-L).

VALIDATIONS

UL, cUL wet location listed, IP66 and IK10 rated, ANSI C136.31-2010 1.5G, FCC compliant, RoHS compliant

ELECTRICAL LOAD

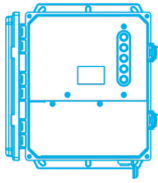
WATTAGE	120V	208V	240V	277V	347V	480V
400W	3.33	1.92	1.66	1.44	1.15	0.83
500W	4.16	2.4	2.08	1.8	1.44	1.04
600W	5	2.88	2.5	2.16	1.72	1.25
1000W	8.33	4.8	4.16	3.6	2.88	2.08
1250W	10.4	6	5.2	4.51	3.6	2.6

MODEL NO.	TYPE	PROJECT/DATE
-----------	------	--------------

NETWORK READY CONTROL SYSTEM

NRCS Lighting provides single-site area lighting control where Internet may not be available or not preferred for security reasons. SimplySNAP makes it easy to support both new construction and retrofit installations. It is the ideal lighting solution for a variety of applications that include parking lots, sporting arenas, warehouses, college campuses, and more.

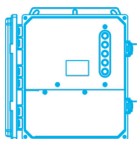
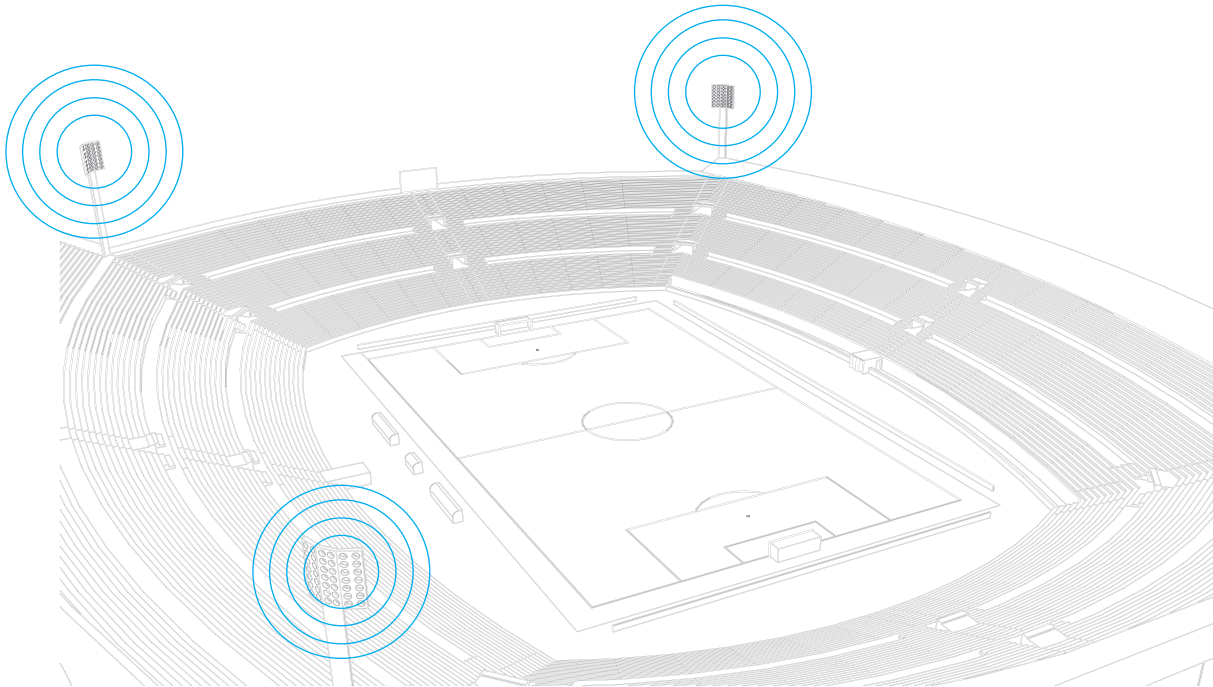
HARDWARE



The Central Gateway is a NRCS site controller installed in a NEMA 4X enclosure with local programmable push buttons to manually activate up to 25 Scenes (5 per button) across specific Zones or over the entire lighting installation. This solution includes programmable pushbutton controls in addition to the NRCS browser based interface.



The EMB-S2-A embedded wireless controller opens an exciting integration path for LED Luminaires. The smaller size and lower cost make this DC- powered wireless controller versatile enough to be embedded in nearly any wattage LED Luminaire. Pairing the EMB-S2-A with a SimplySnap Site Controller makes it easy to comply with ASHRAE, Title 24, DLC NLC Indoor/Outdoor, and other energy requirements today and in the future.



+



=



The Central Gateway Station

EMB-S2-A

Network controller

Please contact our Sales Rep for more information and commissioning procedure