

MODEL NO.	TYPE	PROJECT/DATE
-----------	------	--------------

### KEY FEATURES

- Steel latches
- Polycarbonate lens
- Three available sizes

### TECHNICAL SUMMARY

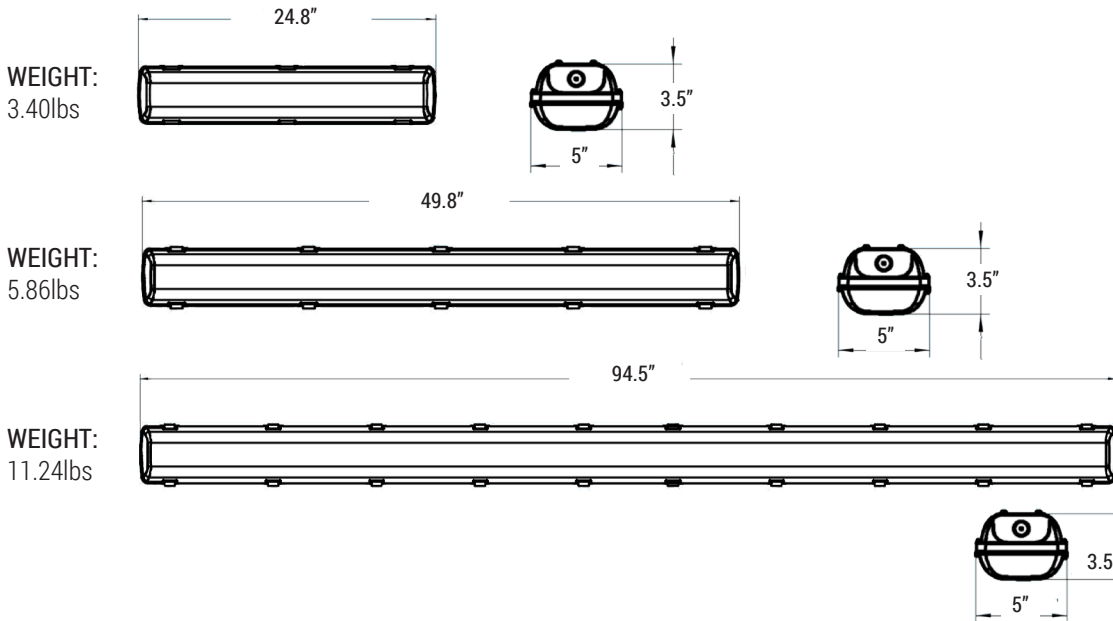
SIZE	2', 4', 8'
WATTAGE	2': up to 30W 4': 45W 8': 90W
LUMEN/EFFICACY	2': 4000LM; 135LM/W 4': 6500LM; 135LM/W 8': 12000LM; 135LM/W
INPUT VOLTAGE	120 - 277Vac
AVAILABLE CCT/CRI	35K/40K/50K Color Changeable; CRI>80
CONTROL	0-10V, Bi-level microwave motion sensor w/daylight harvester
VALIDATION	UL & cUL wet location listed, IP65, IK10 rated, RoHS & FCC compliant
LIFETIME/WARRANTY	5 YR WARRANTY / L70>100,000 HRS
OPERATION TEMP	-40°F ~ 104°F



\*Delivered lumen may vary, refer to photometric for full performance data



### DIMENSIONS



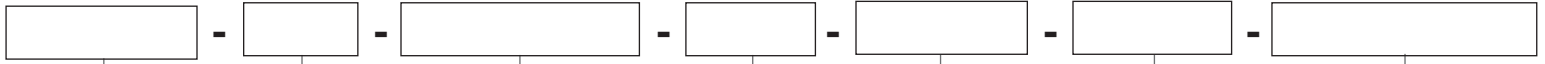
### LUMEN OUTPUT CHART

VTZ-2	HIGH	MEDIUM	LOW	VTZ-4	HIGH	MEDIUM	LOW	VTZ-8	HIGH	MEDIUM	LOW
WATTAGE	30W	25W	20W	WATTAGE	45W	38W	34W	WATTAGE	90W	75W	65W
LUMEN OUTPUT	4000LM	3400LM	2800LM	LUMEN OUTPUT	6500LM	5500LM	5000LM	LUMEN OUTPUT	12000LM	11000LM	9300LM

MODEL NO.	TYPE	PROJECT/DATE
-----------	------	--------------

## ORDERING INFORMATION

\*Additional cost and/or lead time on customized fixtures may apply.



Series	Size	Lumen Package	Input Voltage	CCT	Control	EM Options*
VTZ - (Vaportite)	2 - (2 FT)	40LC - (4000/3400/2800lm)	U - (120-277Vac)	CC - (35K/40K/50K Color Changeable)	C10 - (0-10V 10% Dimming) CMM - (0-10V Bi-Level Microwave Motion Sensor)*	EM1 - (8W Factory Installed Integrated EM) EM15 - (15W Factory Installed Integrated EM)
	4 - (4 FT)	65LC - (6500/5500/5000lm)				
	8 - (8 FT)	120LC - (12000/11000/9300lm)				

## INCLUDED ACCESSORIES



\*INCLUDED ACCESSORIES

V-HOOK, BRACKET, SCREWS, PLASTIC  
TUBE, WATERPROOF PLUG

### \*Accessories

RC-100 - (For use with CMM option)

*\*Available accessories sold separately*

## SPECIFICATIONS

### CONSTRUCTION

Our ruggedly sealed VTZ utilizes gaskets, an ABS housing, stainless-steel latches with Polycarbonate lens, available in 2, 4 and 8ft

### FINISH

Gray color housing

### OPTICS

High impact UV resist polycarbonate lens

### ELECTRICAL

Long life LED system, input voltages 120-277Vac, 35/40/50K CCT changeable, 0-10v dimming standard, motion sensor option available.

### VALIDATIONS

UL & cUL wet location listed, IP65, IK10 rated, RoHS & FCC compliant.

### MOUNTING

Surface mount and suspended mount