

MODEL NO.	TYPE	PROJECT/DATE
-----------	------	--------------

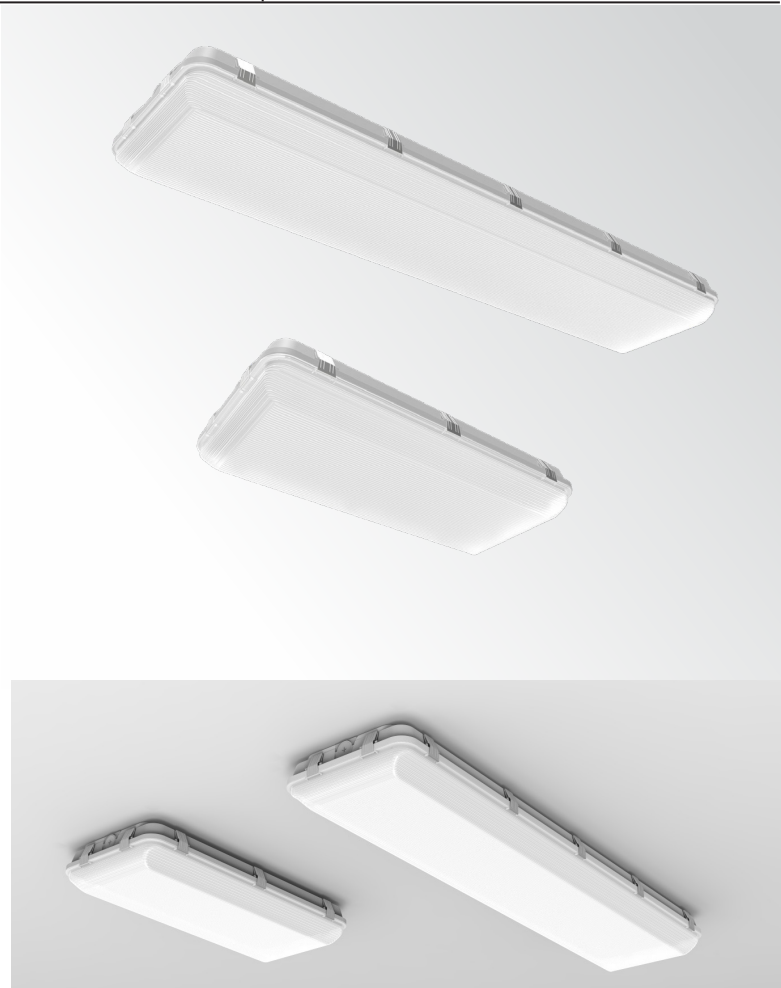
### KEY FEATURES

- IP66/NEMA 4X enclosure rating housing
- Very high lumen output with field changeable lumen and CCT
- Listed for NSF/ANSI 2 corrosion, cleanability and sanitization requirement
- Wide deep frosted lens provide visual comforting large space coverage
- Cold-pack emergency driver option available for cold storage application

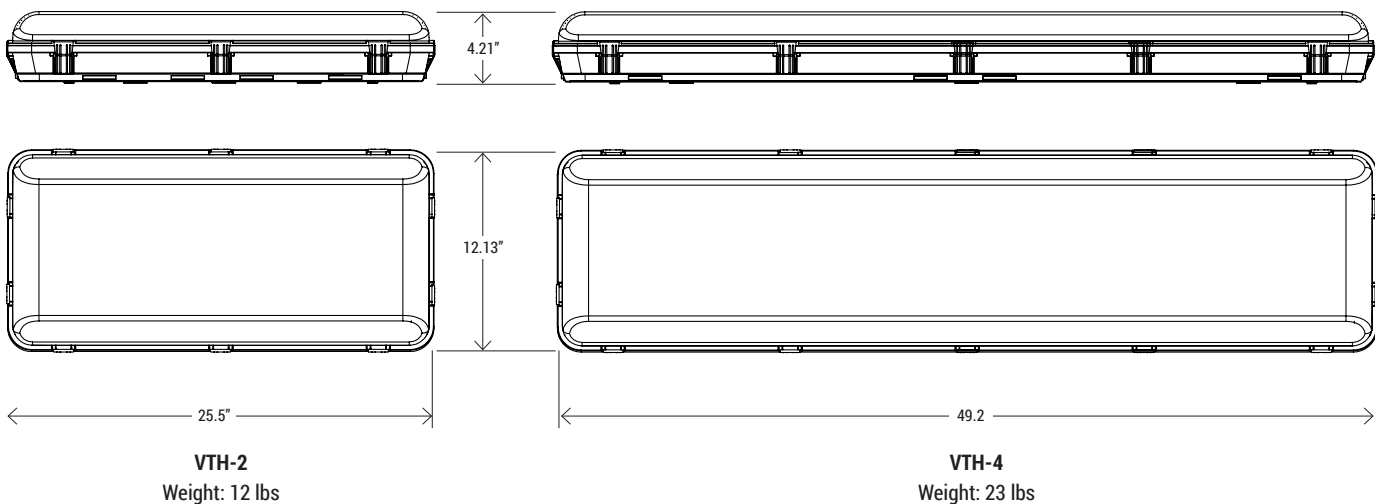
### TECHNICAL SUMMARY

SIZE:	2', 4'
WATTAGE:	2FT: 90/80/70W, 4FT: 200/175/150W
LUMEN/EFFICACY*	2FT: 11,500/10,000/9500LM; 4FT: 27,000/24,000/21,000LM 135LM/W
INPUT VOLTAGE	120-277Vac
AVAILABLE CCT/ CRI	35/40/50K CCT changeable, 80CRI standard
CONTROL	0-10V, Bi-level microwave motion sensor with daylight harvesting
VALIDATIONS	UL & cUL wet location listed, IP66, NEMA 4X, NSF, FCC compliant
LIFETIME	L70>100,000 hours, 5 year warranty
OPTICS/DIFFUSER	High impact UV resist polycarbonate lens
OPERATING TEMP.	-40°F ~ 122°F / -4°F ~ 122°F (with EMC6) / 32°F ~ 122°F (with EM1 & EM15)

\*Delivered lumen may vary, refer to photometric for full performance data



### DIMENSIONS



MODEL NO.	TYPE	PROJECT/DATE
-----------	------	--------------

### ORDERING INFORMATION

\*Additional cost and/or lead time on customized fixtures may apply.

Series	Size	Lumen Package	Input Voltage	CCT*	Control	Mounting	EM Option*
VTH	2 - (2')	<b>115LC</b> - (11500/10000/9500LM)	U - (120-277Vac)	CC - (35/40/50K Color Changeable)	C10 - (0-10V 10% Dimming) CMM - (0-10V Bi-Level Microwave Motion Sensor)*	S - (Surface Mount) P - (Suspended Pendant Mount)	EM1 - (8W Factory Installed Integrated EM) EM15 - (15W Factory Installed Integrated EM) EMC6 - (6W Factory Installed Cold Rated Integrated EM)
	4 - (4')	<b>270LC</b> - (27000/24000/21000LM)					

*Accessories
<b>VTX-C3-8F</b> - (8ft SJOW 3 conductors flexible rubber whip)
<b>VTX-C4-8F</b> - (8ft SJOW 4 conductors flexible rubber whip)
<b>VTX-CHAIN</b> - (8ft chain for V-hook pendant mount)

\*Available accessories sold separately

### SPECIFICATIONS

#### CONSTRUCTION

Rugged sealed with stainless steel latches, impact-resistant 5Va flame rating Polycarbonate housing with frosted PC lens.

#### FINISH

White

#### OPTICS/DIFFUSER

High impact UV resist polycarbonate lens

#### ELECTRICAL

Long life LED system, input voltages 120-277Vac with 2Kv surge protection, 35/40/50K CCT changeable, 0-10v dimming standard, motion sensor option available.

#### MOUNTING

Surface mount and suspend mount.

#### VALIDATIONS

UL & cUL wet location listed, IP66, NEMA 4X, NSF, FCC compliant driver, RoHS