

TRADITIONAL

Post Top Luminaire Traditional

MODEL NO.	TYPE	PROJECT/DATE
-----------	------	--------------

KEY FEATURES

- Die-cast aluminum alloy housing with toolless entry for service
- Field CCT changeable

TECHNICAL SUMMARY

WATTAGE	30W, 60W
LUMEN/EFFICACY *	30W: 3,000LM; 100LM/W 60W: 6,000LM; 100LM/W
INPUT VOLTAGE	120-277Vac
AVAILABLE CCT/CRI	30K/40K/50K Color Changeable; 70+CRI
CONTROL	On/off with 0-10V dimmable driver, on/off NEMA twist lock photocell
VALIDATION	cETL & ETL, IP65, RoHS, FCC
LIFETIME	L70>50,000 HRS, 5 YR Warranty
OPERATION TEMP	-40°F ~ 122°F
FINISH	Black

*Delivered lumen may vary, refer to photometric for full performance data

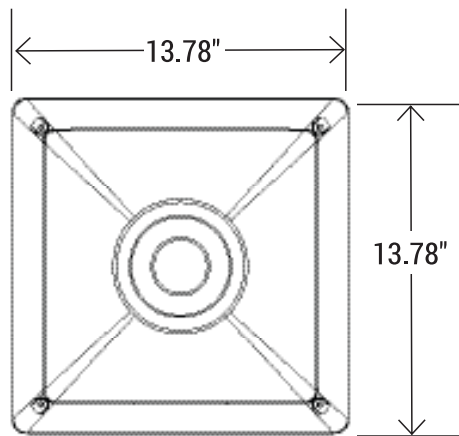
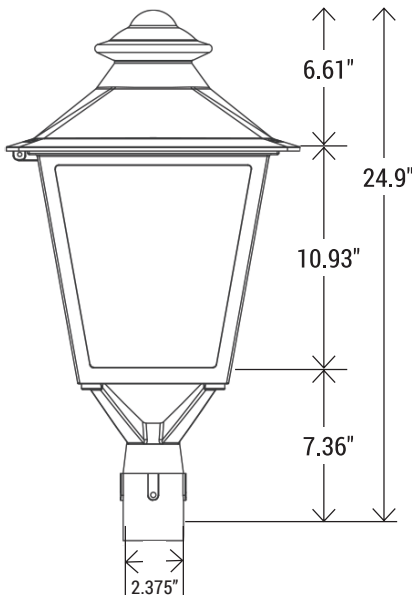


*Shown with the optional photocell

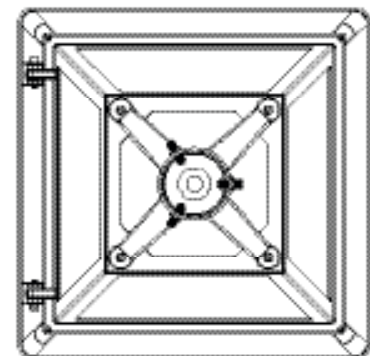
DIMENSIONS

Mounting to standard 2-3/8 tenon.

The light pole will need to have a 2-3/8 tenon in order to mount post top, it is either provided by other or can be purchased through Spitzer Lighting



TOP



BOTTOM

EPA	WEIGHT
2.5 (ft ²)	15 lbs

TRADITIONAL

Post Top Luminaire Traditional

MODEL NO.	TYPE	PROJECT/DATE
-----------	------	--------------

ORDERING INFORMATION

Series	Lumen Package	Input Voltage	CCT	Light Distribution	Lens	Control	Finish
PTT	30L - (3000L) 60L - (6000L)	U - (120 - 277Vac)	CC- (30K/40K/50K Color Changeable)	T3 - (Type III)* T5 - (Type V)	FR - (Frosted)	C1 - (On/Off with 0-10V Driver No Dimming Wires) C2 - (7-Pin Receptacle with Short Cap)* C3 - (7-Pin Receptacle with Photocell)* CMM - (0-10V Bi-Level Microwave Motion Sensor)*	BK - (Black)

*Additional cost and/or lead time on customized fixtures may apply. Customized fixtures can not be returned.

SPECIFICATIONS

CONSTRUCTION

Fixture shall be four-sided in form and feature both a die-casting roof and internal housing manufactured via heavy cast aluminum. Sealed top LED engine with Impact resistant PC optic & driver compartment with seamless silicone gaskets to an IP65 rating.

FINISH

Exterior parts are protected by polyester powder coating finish that provides superior resistance to corrosion for maximum retention of gloss and luster. A tightly controlled multi-stage process ensures a minimum 3-mil thickness for a finish that can withstand the elements without cracking or peeling.

OPTICS

The engine optic shall be one-piece, injection molded, non-yellowing Impact resistant PC, sealed top and bottom with seamless silicone gaskets to an IP65 rating. Light engines are CCT changable (30K, 40K or 50K) @ 70+CRI.

ELECTRICAL

Light engines consist of high-efficacy LEDs mounted to deliver 100 lumen per watt while maintain a promote long life of L70 > 100,000 hours. Class 2 outdoor rated LED drivers are designed for an expected life of over 50,000 hours.

VALIDATIONS

cETL & ETL wet location certified. RoHS compliant, FCC, Luminaire is IP65 rated.

MOUNTING

The light pole will need to have a 2-3/8 inch tenon in order to mount post top, it is either provided by other or can be purchased through Spitzer Lighting