

SP-EM6C-L

Cold Weather Rated LED Emergency Driver



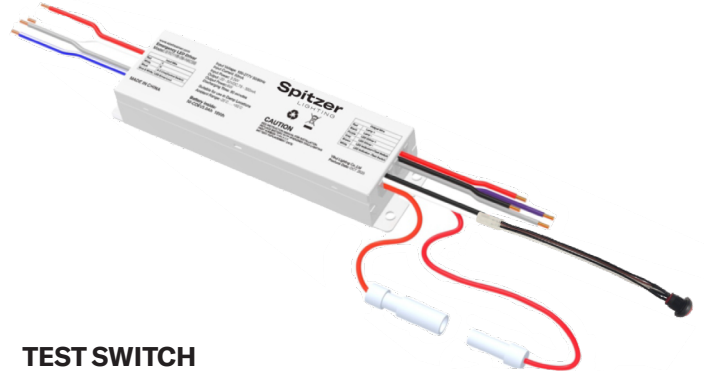
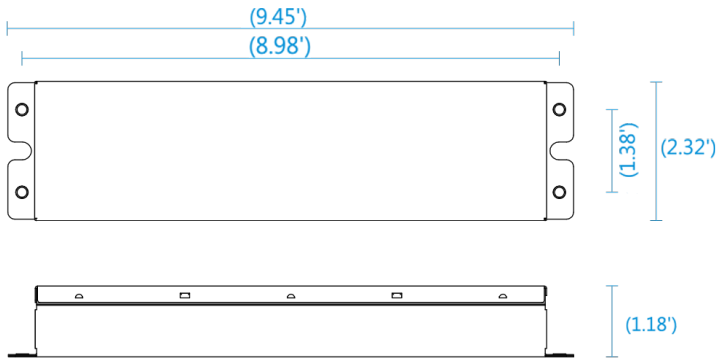
APPLICATIONS

- UL Listed for dry locations
- IP20 protection
- Suit for LED Lamp
- Manual Test
- Built-in Ni-Cd battery pack
- Ambient range ta-20...50°C
- Suit for 6W to 200W lamp with external LED driver
- Warranty 5 Years (emergency driver and battery)

PROTECTIONS

- Input over current protection
- Output over voltage protection
- Output under current protection
- Output short circuit protection

DIMENSIONS (BUILT-IN BATTERY)



TEST SWITCH

Emergency conversion kit will go into emergency mode if test switch is pressed when main supply is on, while it will go into charging mode if test switch is not pressed.

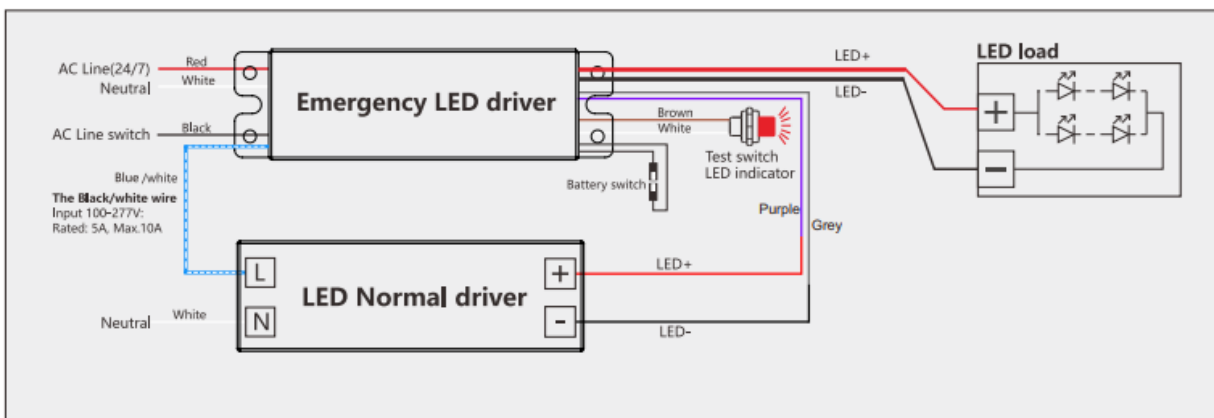
LED INDICATOR

- Red stable: Charging mode or charging full
- Red off: mains power off or discharging mode

INSTALL INSTRUCTIONS

- Please install this product properly by the licensed electrician
- Please check and confirm all the data and usage surrounding before installation
- Damp or wet location installation is ok
- This item could be used in the sealed fixtures or installed open area of the fixtures
- Please keep it away from the flammable materials with a place of good heat dissipation
- Please charge the battery consistently for >24 hours for the first time usage so as to activate the whole battery cells of discharging/charging duration

WIRING DIAGRAM



TECHNICAL INFORMATION

MODEL NO.	RATED INPUT	BATTERY	EMERGENCY TIME	DURATION
SP-EM6C-L	Input: 100-277V~,50-60Hz,50mA,3W,P.F>0.5 Output: DC20-52V, 6W Constant power Surge: 1KV(L-N) 2KV(L/N-PE)	Ni-Cd 6V 3.0Ah	6W (5.5-6.0)	90 Minutes