

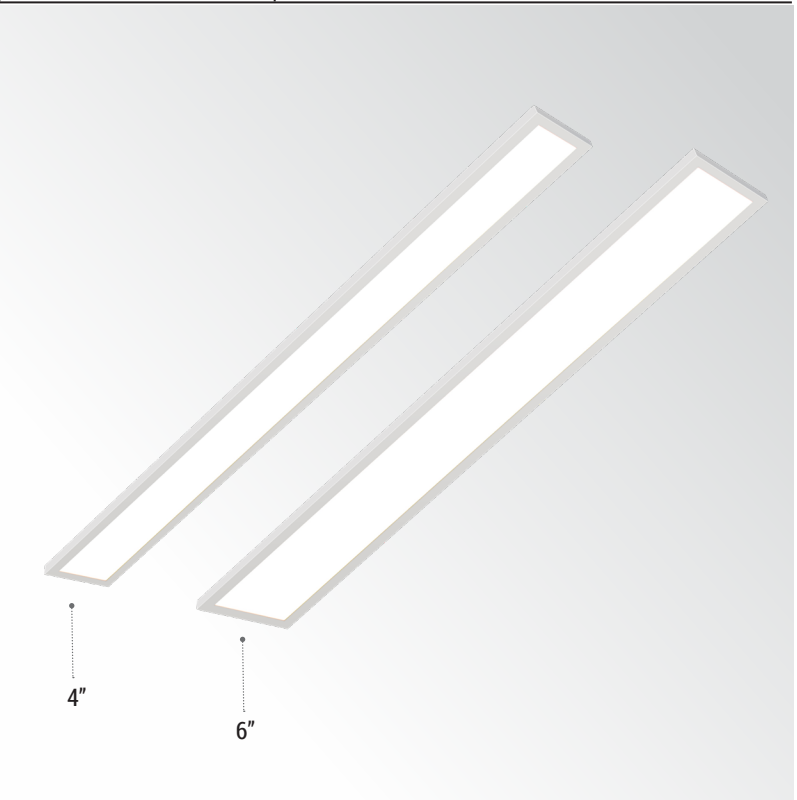
MODEL NO.	TYPE	PROJECT/DATE
-----------	------	--------------

KEY FEATURES

- Available in two lengths and apertures
- Three selectable color temperature
- Three selectable wattage levels

TECHNICAL DATA

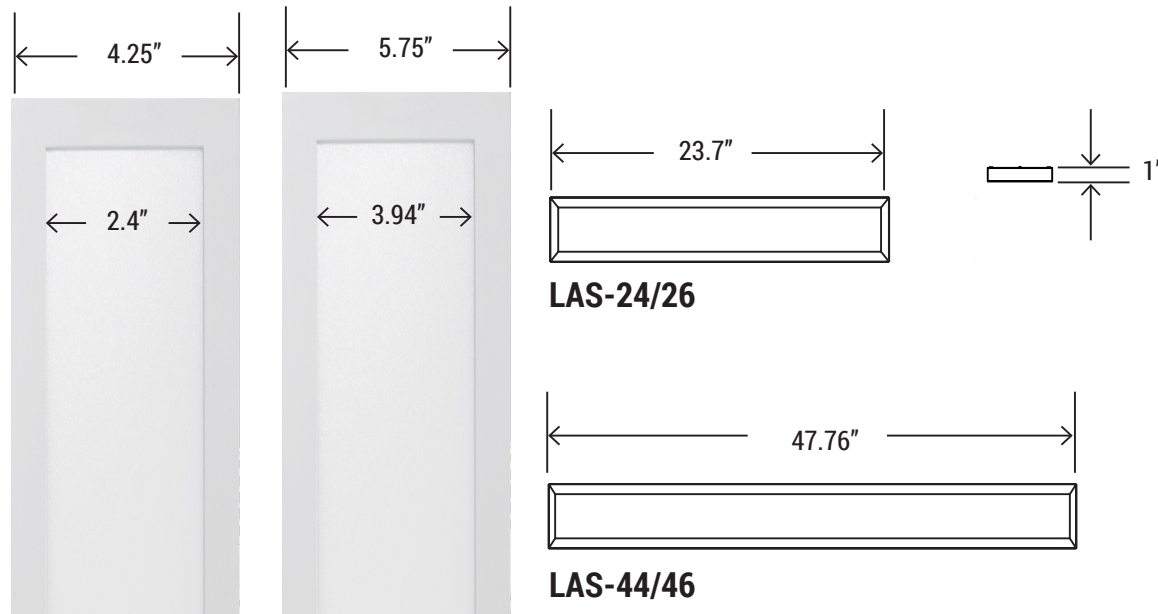
SIZE	2' x 4", 2' x 6", 4' x 4", 4' x 6"
WATTAGE	2' x 4": 20W 2' x 6": 20W 4' x 4": 40W/30W/20W 4' x 6": 40W/30W/20W
LUMEN/EFFICACY*	2' x 4": 1700LM; 90 LM/W 2' x 6": 1900LM; 95 LM/W 4' x 4": 3400LM; 85 LM/W 4' x 6": 3800LM; 95 LM/W
INPUT VOLTAGE	120-277Vac
AVAILABLE CCT/CRI	30K/35K/40K Color Changeable; CRI +80
CONTROL	0-10V
VALIDATION	cUL & UL Damp Location, FCC, RoHS
LIFETIME/WARRANTY	5 YR Warranty / L70>50,000 HRS
OPERATION TEMP	-30°F ~ 122°F



*Delivered lumen may vary, refer to photometric for full performance data



DIMENSIONS



LAS-24/26

LAS-44/46

	WEIGHT
2'x4"	3.00lbs
2'x6"	3.50lbs
4'x4"	7.00lbs
4'x6"	8.80lbs

LAS

Narrow Aperture Surface Linear Luminaire

MODEL NO.	TYPE	PROJECT/DATE
-----------	------	--------------

ORDERING INFORMATION

- - - -

Series	Size	Lumen Package	Voltage	CCT
LAS	24 - (2'x4")	17L - (1700LM)	U - (120-277Vac)	CC - (30/35/40K Color Changeable)
	26 - (2'x6")	18L - (1800LM)		
	44 - (4'x4")	34LC - (3400/2500/1600LM)		
	46 - (4'x6")	36LC - (3600/2600/1800LM)		

**Additional cost and/or lead time on customized fixtures may apply.*

24 & 26 are not lumen changeable

SPECIFICATIONS

CONSTRUCTION

Cast-aluminum extruded housing with precision welded corners for a sleek appearance.

FINISH

White powder-coated finish.

OPTICS

Precision laser cut optical grade acrylic guide provides uniformed edge-lit lighting distribution.

ELECTRICAL

Universal input voltage: 120-277Vac. Standard Class 2 isolated drivers with 1-10V dimming.

VALIDATIONS

cUL & UL Damp Location Listed, FCC, RoHS Compliant