

# HRA

## High Output Spec Grade Round High Bay

MODEL NO.	TYPE	PROJECT/DATE
-----------	------	--------------

### KEY FEATURES

- Robust cast aluminum design to withstand harsh environment such as manufacturing, natatoriums and gymnasiums
- Multiple high lumen output with multiple mounting, lighting control and light distribution options
- Aesthetic pleasing design with standard prismatic borosilicate lens delivers uniformed & soft illumination

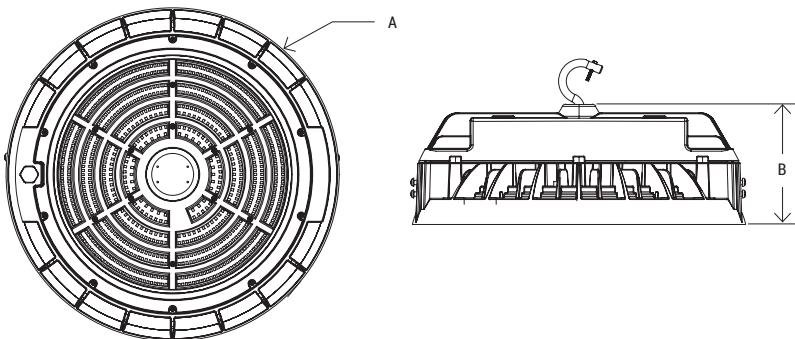
### TECHNICAL SUMMARY

SIZE:	Small (S) - 15" OD, Large (L) - 17" OD
WATTAGE:	S: 245/200/150W, L: 360/290/215W or program to specific wattage under max, minimum 10% of the max
LUMEN/EFFICACY*	S: 40,000/32,000/24,000LM, L: 60,000/48,000/36,000LM or program to specific lumen output under max, minimum 10% of the max
INPUT VOLTAGE	120-277Vac, 277-480Vac
AVAILABLE CCT/CRI	40K, 50K, Custom, 80CRI standard
CONTROL	On/off with 0-10V dimmable driver, 0-10V or D4I Bi-level PIR occupancy sensor with daylight harvesting, Synapse wireless lighting control, D4I
VALIDATIONS	cETL & ETL wet location listed, IP65 and IK10 rated (Lens & housing), FCC, RoHS
LIFETIME	L70>100,000 hours, 5 year warranty
DISTRIBUTION	GL: 120° beam, MD: 90° beam, ND: 60° beam
SURGE PROTECTION	10Kv/5Ka standard, 20Kv/10Ka optional
OPERATION TEMP.	S: -40°F ~ 131°F, L: -40°F ~ 122°F, with EM: 32°F ~ 122°F
FINISH	Matte Black, Matte White, Silver Gray, Natatorium rated option

\*Delivered lumen may vary, refer to photometric for full performance data



### DIMENSIONS



Model No.	A	B	WEIGHT
HRA-S-400LC	15"	6"	15 lbs
HRA-L-600LC	17"	6"	18 lbs

# HRA

## High Output Spec Grade Round High Bay

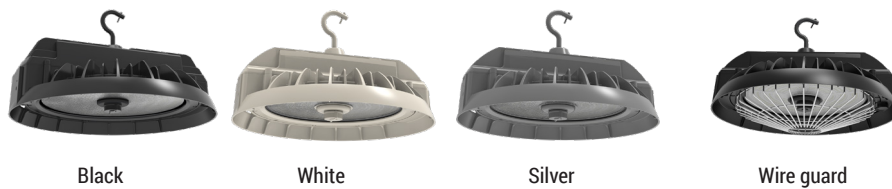
MODEL NO.	TYPE	PROJECT/DATE
-----------	------	--------------

### ORDERING INFORMATION

\*Additional cost and/or lead time on customized fixtures may apply.

	-		-		-		-		-		-		-	
Series	Size	Lumen Package	Input Voltage	CCT	Light Distribution	Control	Finish	Mounting						
HRA	S - (Small)	<b>400LC-</b> (40,000/32,000/ 24,000LM)	<b>U</b> - (120-277Vac) <b>H</b> - (277-480Vac)*	<b>40K</b> - (40K) <b>50K</b> - (50K) <b>CC</b> - (30/35/65K Color Changeable)*	<b>GL</b> - (High Output 120° Beam) <b>MD</b> - (High Output Medium 90° Beam)* <b>ND</b> - (High Output Narrow 60° Beam)*	<b>C10</b> - (0-10V 10% Dimming)* <b>CZ</b> - (On/Off with 0-10V Driver with Z10 Receptacle) <b>CMP</b> - (0-10V Bi-Level PIR Occupancy Sensor)* <b>CS1</b> - (0-10V with Synapse Wireless NLC Nodes)* <b>CSS</b> - (0-10V with Synapse Wireless NLC Sensor w/ Zhaga Receptacle)** <b>SDS</b> - (D4I with Synapse Wireless NLC Sensor with/ Zhaga Receptacle)** <b>SDZ</b> - (D4I with Synapse Wireless NLC Plug-In Nodes with/Zhaga Receptacle)**	<b>BK</b> - (Matte Black) <b>WH</b> - (Matte White) <b>SG</b> - (Silver Gray) <b>NB</b> - (Natatorium Rated Black Finish)* <b>NW</b> - (Natatorium Rated White Finish)* <b>NS</b> - (Natatorium Rated Silver Gray Finish)*	<b>HM</b> - (Hanging Hook Mount) <b>PM</b> - (3/4" Stem Pendant Mount)* <b>IP</b> - (Indirect Stem Pendant Mount)* <b>SM</b> - (Trunnion Bracket Mount)*						
	L - (Large)	<b>600LC-</b> (60,000/48,000/ 36,000LM)												

### FINISH REFERENCE



Black

White

Silver

Wire guard



SP-EM40-AC-C  
40W Inverter  
Field installed

\*\*CSS, SDS, SDZ is not available for HRA-L

\*Available accessories sold separately

### Accessories

**SP-EM40-AC-C** - Field installed 40W IP65 inverter (EM options are not available for H-277- 480Vac )

**\*HRA-20KV-SPU** - upgrade to 20Kv/10Ka surge protection

**HRA-S-WG** - Wire guard for small housing

**HRA-L-WG** - Wire guard for large housing

### SPECIFICATIONS

#### CONSTRUCTION

Die-cast aluminum housing with integral head sink to optimize thermal management. Integral driver can be disconnected via quick connector for easy maintenance.

#### FINISH

Standard finish with thermoset powder coat multi-stage process finish that provides corrosion resistance and can withstand extreme climate changes. For the natatorium rated option, it includes an added electrophoretic deposition layer and a conformal coating on the LED engine, ensuring long-lasting protection against harsh moisture, chemicals, and corrosion.

#### OPTICS/DIFFUSER

Standard prismatic borosilicate glass and optional Injection molded PC optic provides three degree beam angle options: 120, 90 and 60 beam degree.

#### ELECTRICAL

High-power long-life LED engine, IP rated driver with over temp, over voltage and short circuit protection, available in 120-277Vac or 277-480Vac, available in 0-10V or D4I control. Fixture comes standard with 6' SJOW (U) or SOW (H) cab tire power cord.

#### MOUNTING

Hanging hook mount(HM), stem pendant mount (PM, 3/4" NPT, stem not included), indirect stem pendant mount (IP), trunnion surface mount (SM).

#### VALIDATIONS

cETL & ETL wet location listed, IP65 and IK10 rated (Lens & housing), FCC compliant, RoHS compliant.

# HRA

High Output Spec Grade Round High Bay

MODEL NO.	TYPE	PROJECT/DATE
-----------	------	--------------

## NETWORKED LIGHTING CONTROLS

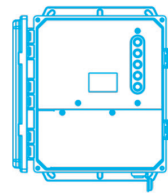
SimplySnap is an easy-to-deploy, easy-to-use, and easy-to-scale solution that adapts to your organization, facilities, and equipment as they are today without requiring massive infrastructure upgrades. With Synapse, your team can manage, monitor, and gain insights from lighting and significant energy users in the facility, enabling ongoing improvements that pave a clear path toward your control and profitability goals.



### SS-450 Site Controller

Gateway for C3/D2 setup, control up to 1000 nodes, purchase separately

The SS450 site controller serves as the heart of your SimplySnap solution. This network edge appliance provides quick browser-based access and local control of smaller systems with hundreds of devices.



### Central Base Station

The Central Base Station is a NLC site controller installed in a NEMA 4X enclosure with local programmable push buttons to manually activate up to 25 Scenes (5 per button) across specific Zones or over the entire lighting installation. This solution includes programmable pushbutton controls in addition to the NLC browser based interface.

CZ	CMP	CS1	CSS	SDS	CSS/SDZ
<p><b>With Z10 receptacle</b> White/Black depends on the housing finish</p>	<p>ANT-6-Z10 RC-100</p>	<p>ANT-OSS-5.1 &amp; DIM10-087-06-A</p>	<p>Zhaga book 18 receptacle White/Black depends on the housing finish</p>	<p>D4I/Synapse NLC wireless control connect via Zhaga Book 18</p> <p>ZHA-S1 - Zhagabook 18</p>	<p>D4I NLC Bi-level PIR motion sensor</p> <p>CSEN1-H-W-ZHA CSEN1-H-G-ZHA White/Gray depends on the housing finish</p>

**Please contact our Sales Rep for more information and commissioning procedure**