

MODEL NO.	TYPE	PROJECT/DATE
-----------	------	--------------

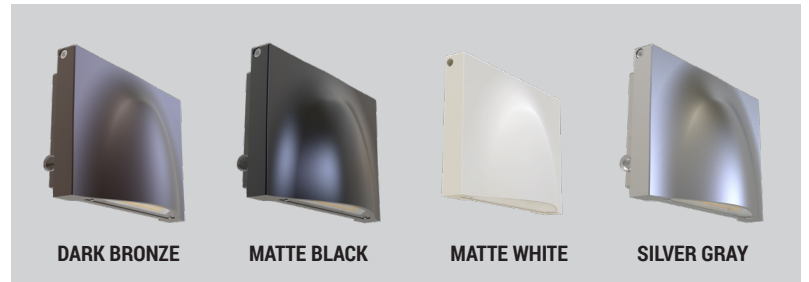
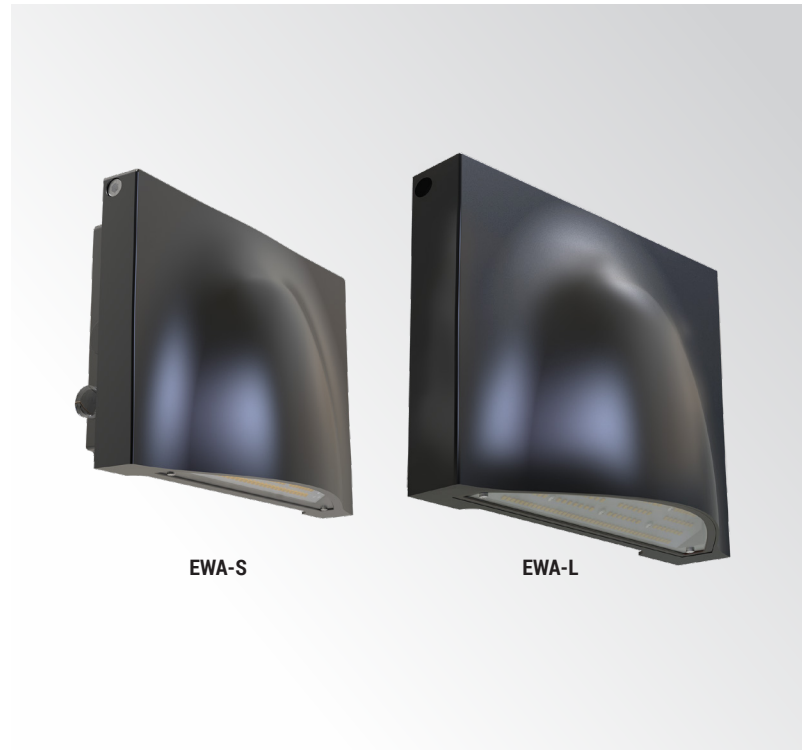
KEY FEATURES

- Compact and slim profile IP65/IK10 rated housing
- Full cut-off with adjustable directional illumination, CCT changeable
- Comes with 12W or 25W integrated cold weather (-20C) self-diagnostic emergency driver
- Optional On/off integrated photocell sensor

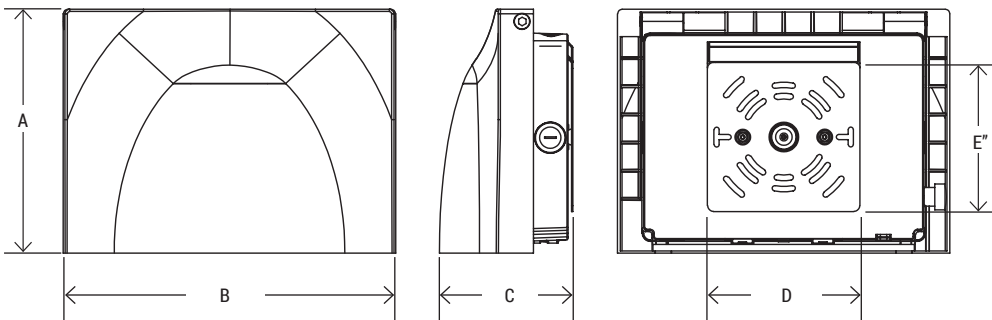
TECHNICAL SUMMARY

SIZE	Small / Large
WATTAGE	Small: 25W AC / 12W Emergency, Large: 75W or 100W AC / 25W Emergency
LUMEN/EFFICACY	Small: 3200LM total/ 1500LM emergency, Large: 9000 or 13000LM total/3000LM emergency
INPUT VOLTAGE	120-277Vac
AVAILABLE CCT/CRI	3000/4000/5000K CCT changeable / >70 CRI
CONTROL	0-10V 10% Dimming, On/Off Button Integrated Photocell
VALIDATIONS	UL & cUL Wet location listed, UL & cUL 924 listed, IP65, IK10
LIFETIME	L90 > 50,000 hours, 5 year warranty
SURGE PROTECTION	10Kv SPU
OPERATION TEMP.	-13°F ~ 122°F / With EM -4°F ~ 122°F
FINISH	Dark Bronze, Matte Black, Matte White, Silver Gray

*Delivered lumen may vary, refer to photometric for full performance data



DIMENSIONS



Model No.	EWA-S	EWA-L
A	8.2"	9.6"
B	11.125"	13"
C	4.4"	5.2"
D	5.125"	5.125"
E	5"	5"
Weight	8.5 lbs	9.5 lbs

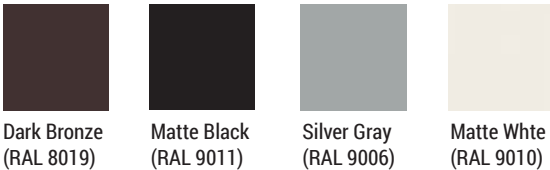
MODEL NO.	TYPE	PROJECT/DATE
-----------	------	--------------

ORDERING INFORMATION

*Additional cost and/or lead time on customized fixtures may apply.

<input type="text"/>	-	<input type="text"/>	-	<input type="text"/>	-	<input type="text"/>	-	<input type="text"/>	-	<input type="text"/>
Series	Size	Lumen Package	Input Voltage	CCT	Control	Finish				
EWA	S - (Small)	32L - (3200LM Total/1500LM EM)	U - (120-277V)	CC - (30K/40K/50K Color Changeable)	CT - (0-10V 10% Dimming) *C2 - ((On/Off Button Integrated Photocell)	BK - (Matte Black) DB - (Dark Bronze) WH - (Matte White) *SG - (Silver Gray)				
	L - (Large)	90L - (9000LM Total/3000LM EM) 130L - (13000LM Total/3000LM EM)								
						*Made to order				

FINISH REFERENCE



SPECIFICATIONS

CONSTRUCTION

Slim profiled cast aluminum housing with stainless steel screws, luminaire angle is adjustable from 0 to 90 degree

FINISH

Powder coated finish in white, black, dark bronze or silver gray.

OPTICS

Impact proof and UV resist polycarbonate frosted lens .

ELECTRICAL

Long life LED system, 30/40/50K CCT and changeable with a Class 2, constant current 120V-277Vac, 50-60 HZ driver and LiFePO4 battery backup emergency driver. Battery is 24 hours charge and with minimum 90 mins discharge, battery is rated for -20C to +50C operational ambient temperature.

VALIDATIONS

UL & cUL Wet location listed, UL & cUL 924 listed, IP65, IK10

MOUNTING

Wall mount